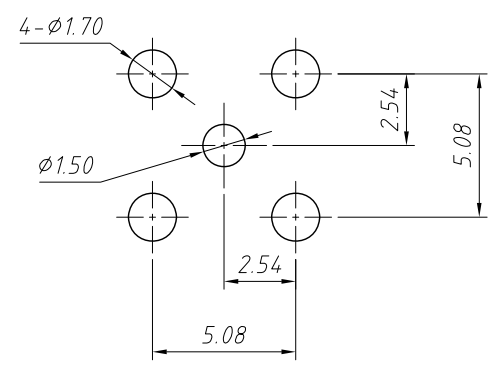
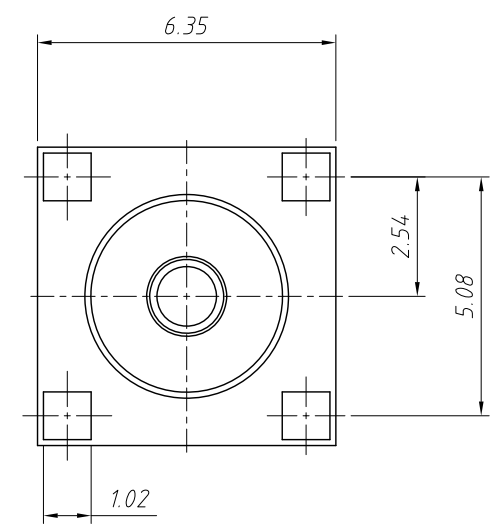
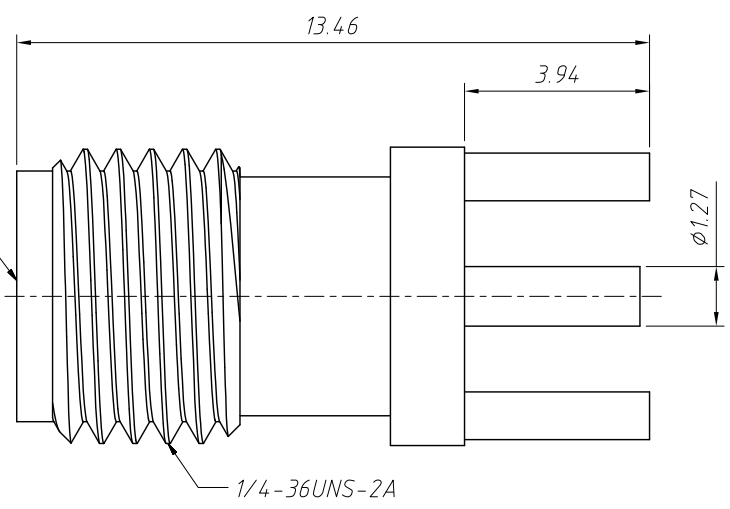
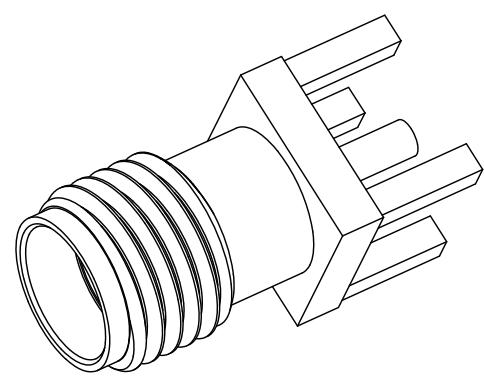


1
RoHS Compliance



Recommended Mounting Hole Dimensions
Scale 6:1



Material:
 Body:Stainless Steel Gold Plating
 Contact:Be Cu,Gold Plating
 Insulator:PTFE

Electrical:
 Impedance:50Ω
 Dielectric Withstanding Voltage:1000 VRMS Min.

Mechanical:
 Durability:500 Cycles Min.
 Temperature Range:-65°C to +165°C

Packaging:
 Quantity:Single Pack
 Marking:Bag To Be Marked

ANGLE TOLERANCE	PROJECTION	Description:	PCB Mount SMA Connector Straight (Jack,Female,50Ω)
±3°			
GENERAL TOLERANCE	UNITS	mm	KLS P/N: L-KLS1-SMA001D
x.x ±0.30	SHEET SIZE	A4	
x.xx ±0.20	Draw:	Daniel	2020-11-11
x.xxx ±0.10	Check:	Daniel	2020-11-11

