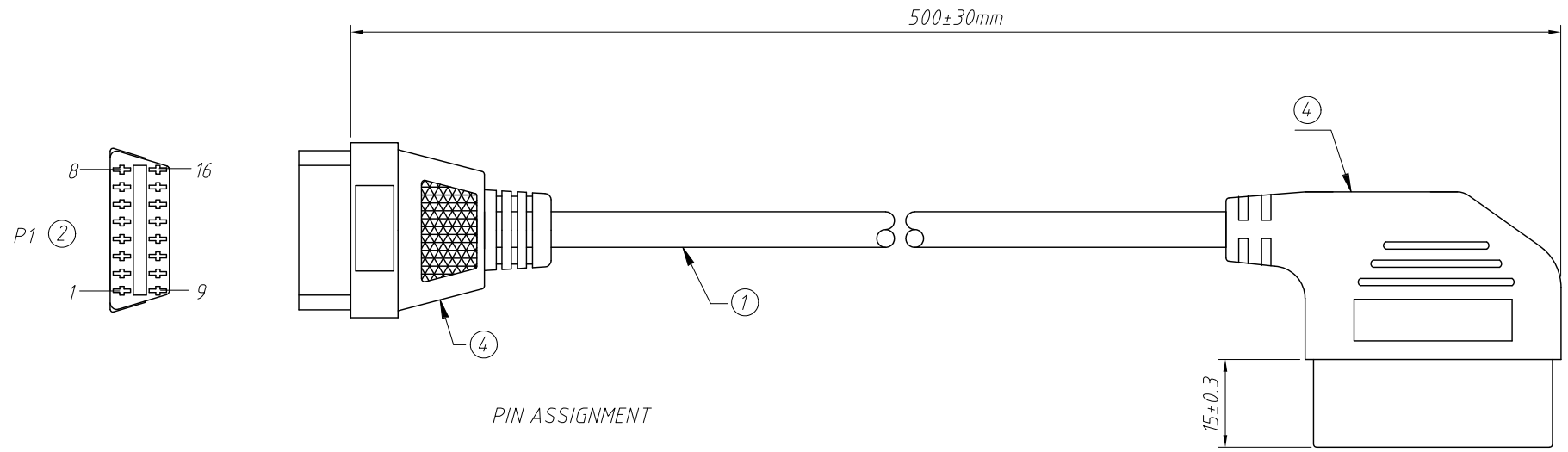
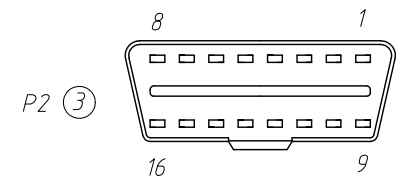


1 RoHS Compliance



PIN ASSIGNMENT

P1	COLOR	P2	P1	P2
1	—	1	9	9
2	—	2	11	11
10	—	10	12	12
3	—	3	13	13
4	—	4	6	6
5	—	5	14	14
7	—	7	15	15
8	—	8	16	16



- Material:**
- 1. UL 2464 26AWG×2P+12C+AL/MY, OD:=7.0mm, Black Jacket.
 - 2. OBD II Female, Black Insulation, Nickel plated
 - 3. OBD II 16P Male, Black Insulation, Nickel plated:REV:U
 - 4. PVC Black, Overmold, 50P

- Electrical Characteristics:**
- 1. Voltage: DC 300V 10MΩ/10 ms
 - 2. Contact resistance: 3.0mΩ MAX
 - 3. 100% Open, Short, Mis-Wire Testing.

ANGLE TOLERANCE	PROJECTION	Description:	OBD II 16P R/A Male to Female Adapter Cable, L0.5M
±3°			
GENERAL TOLERANCE	UNITS	mm	KLS P/N: L-KLS1-OBDII-AF02
x.x ±0.30	SHEET SIZE	A4	
x.xx ±0.20	Draw:	Daniel	2020-11-11
x.xxx ±0.10	Check:	Daniel	2020-11-11

