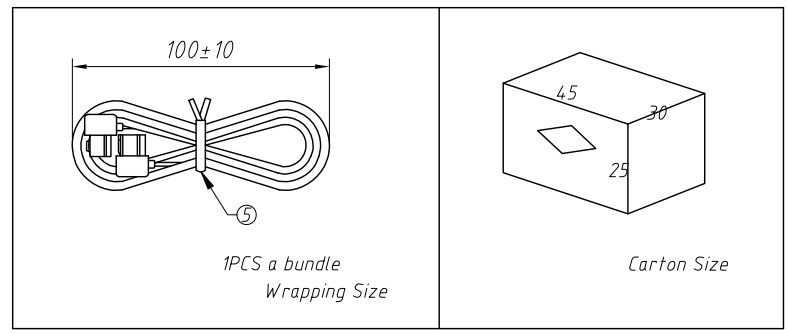
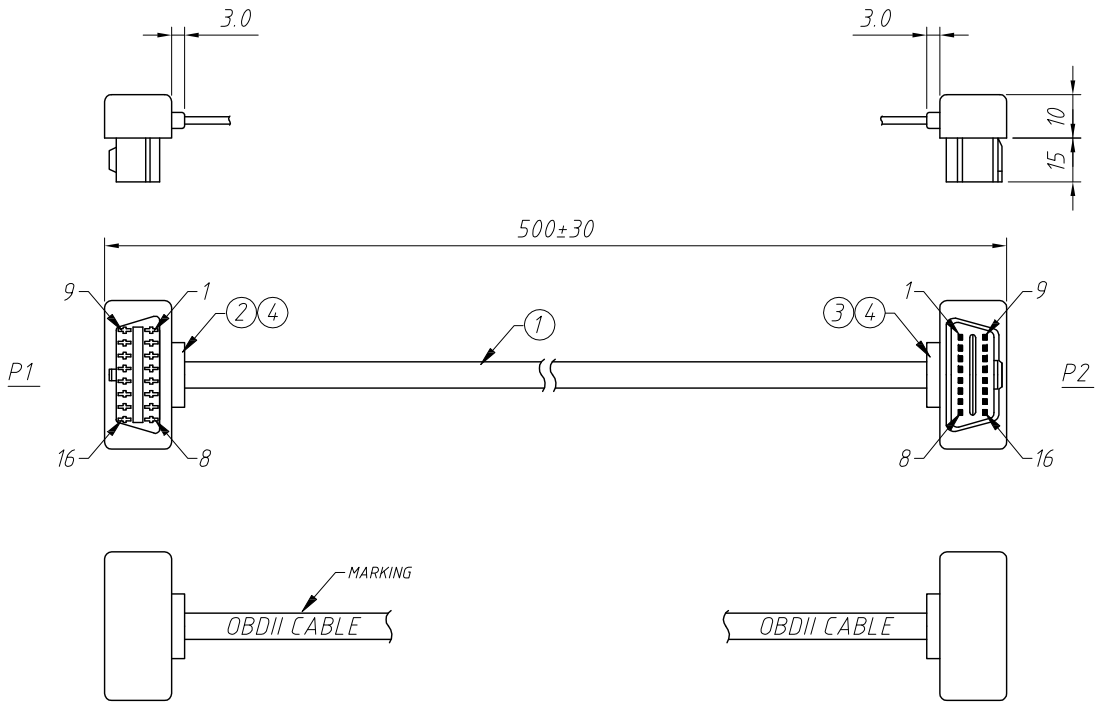


1
RoHS Compliance



Wiring Diagram

P1		P2	P1		P2
1	Yellow	1	9	Purple	9
2	Grey	2	10	Pink/Black	10
3	White	3	11	Green	11
4	Black	4	12	Orange	12
5	Black/Navy Blue	5	13	Brown	13
6	Red/White	6	14	Orange/White	14
7	Green/White	7	15	Purple/White	15
8	Blue	8	16	Red	16

- NOTES:**
- 1.No Miswiring and internalmittent failures.
 - 2.100% electrical tested before shipment.
 - 3.IPC-620 standard processing.
 - 4.RoHS must be compliant.

- Material:**
- 1.Wire:UL 813 26AWG×16C,Black Jacket Flat Wire,OD:2.0×15±0.5mm
 - 2.Connector:OBD II 16P Female,Pins Nickel,Black Insulation
 - 3.Connector:OBD II 16P Male,Pins 1.8mm Nickel,Black.
 - 4.Molding:PVC Red, Hardness:50P
 - 5.Tie:Black Tie

ANGLE TOLERANCE		PROJECTION		Description:		
±3°				OBD II 16P Male to Female Adapter Cable,L0.5M		
GENERAL TOLERANCE		UNITS	mm	KLS P/N: L-KLS1-OBDII-AF01		
x.x	±0.30	SHEET SIZE	A4	NingBo KLS ELECTRONIC CO.,L TD.		
x.xx	±0.20	Draw:	Daniel			2020-11-11
x.xxx	±0.10	Check:	Daniel			2020-11-11