

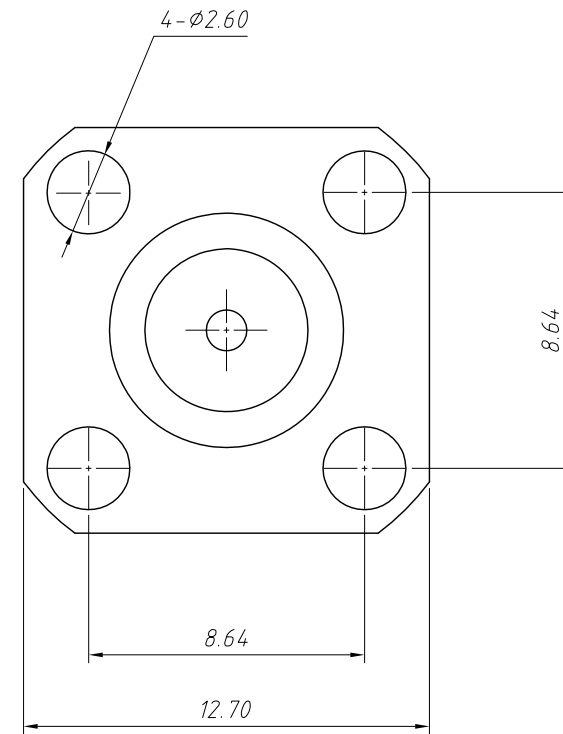
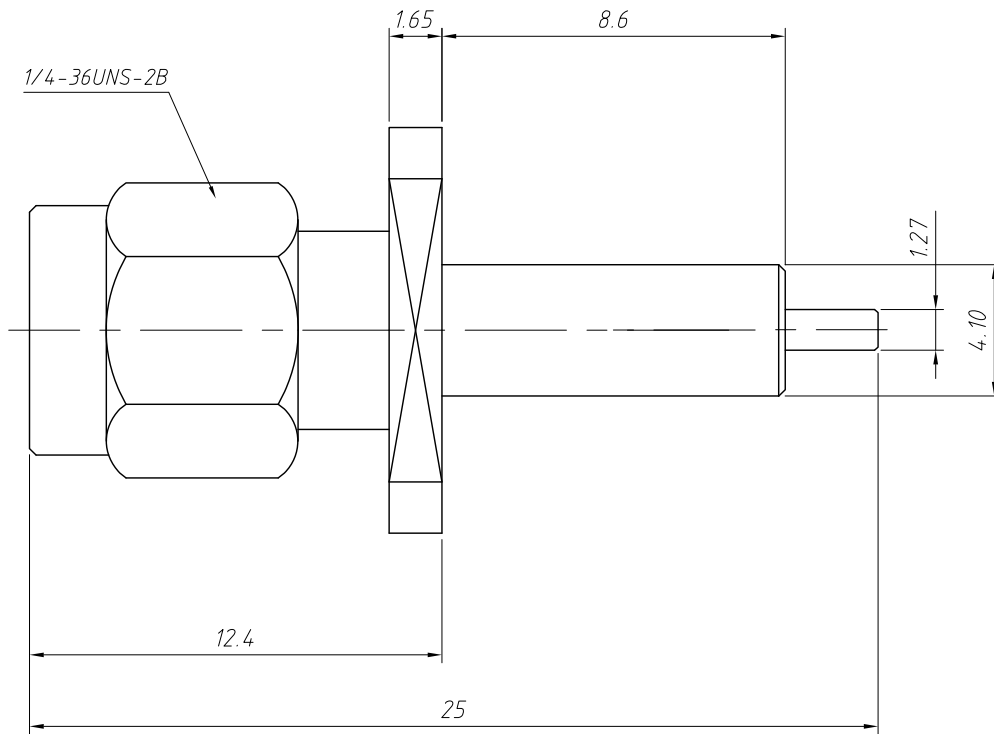
Technical parameters:

1. Characteristic impedance of joint: 50m Ω
2. Joint surface: gold plating
3. Mechanical demand: 500 times

Material:

Body: Brass ,Gold Plating
 Insulator: TEFLON,Natural
 Contact Pin:BER.Copper,Gold Plating
 Gasket:Silicone,Red

GENERAL TOLERANCE	PROJECTION		Description:
.X ±0.50	UNITS	mm	Flange Panel Mount SMA Connector Straight (Plug, Male,50Ω) L30.8mm
.X ±0.25	SCALE	1:1	
.XX ±0.10	Draw by:	Jenny	
ANGLE TOLERANCE	Check by:		KLS P/N: L-KLS1-SMA022B-L30.8
.X ±5°	Date	2018-03-01	NingBo KLS ELECTRONIC CO.,L TD.
.X ±3°	SHEET	1 OF 1	
.XX ±2°			





Technical parameters:

1. Characteristic impedance of joint: 50m Ω
2. Joint surface: gold plating
3. Mechanical demand: 500 times

Material:

Body: Brass ,Gold Plating
 Insulator: TEFLON,Natural
 Contact Pin:BER.Copper,Gold Plating
 Gasket:Silicone,Red

GENERAL TOLERANCE	PROJECTION		Description:
X. ±0.50	UNITS	mm	Flange Panel Mount SMA Connector Straight (Plug, Male,50Ω) L25mm
.X ±0.25	SCALE	1:1	
.XX ±0.10	Draw by:	Jenny	
ANGLE TOLERANCE	Check by:		KLS P/N: L-KLS1-SMA022B-L25
X. ±5°	Date	2018-03-01	 NingBo KLS ELECTRONIC CO.,L TD.
.X ±3°	SHEET	1 OF 1	
.XX ±2°			