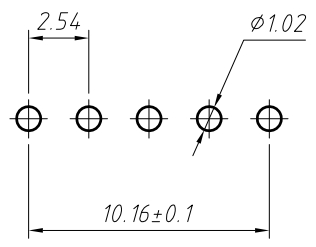
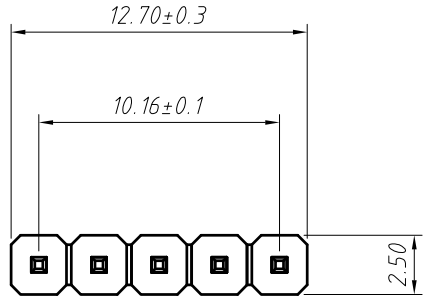


1
RoHS Compliance

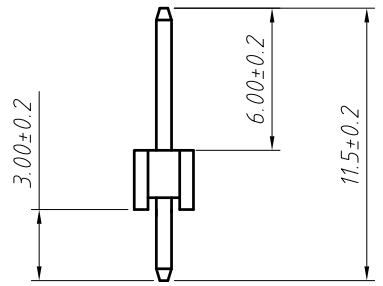
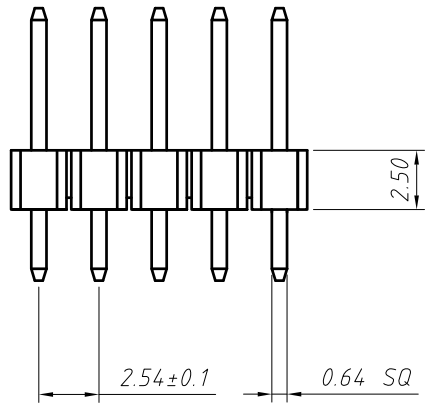


Recommended P.C.B Hole Layout

Material:
 Standard:PBT
 Contact: Brass
 Insulator:Polyester,UL94V-0

Electrical Characteristics:
 Rated Current: 3AMP
 Contact Resistance: 20mΩ Max
 Withstand Voltage: 1000V AC/DC
 Insulator Resistance: 1000MΩ Min

Mechanical
 Operating Temperature: -40°C ~ +105°C



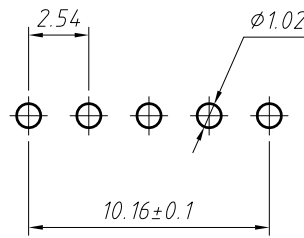
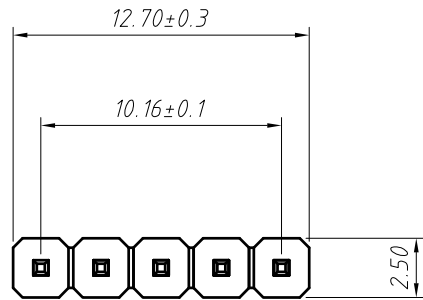
Order Information:
 L-KLS1-207-2.50-1-05-S-3.0×6.0×11.5-SN

- L: RoHS
- Pin Header Series
- 207:2.54mm
- Plastics Height:2.50mm
- Per Row:1-Single layer
- Pin: No. of Pins:05Pin
- Type: Straight Pin
- Size:3.0×6.0×11.5
- Plating:SN= Tin Plating

ANGLE TOLERANCE	PROJECTION	Description:	2.54mm Pin Header
±3°			Single layer, Straight Pin, 1x05Pin
GENERAL TOLERANCE	UNITS	mm	KLS P/N:
x.x ±0.30	SHEET SIZE	A4	L-KLS1-207-2.50-1-05-S-3.0×6.0×11.5-SN
x.xx ±0.20	Draw:	Daniel	2018-07-10
x.xxx ±0.10	Check:	Daniel	2018-07-10



1
RoHS Compliance

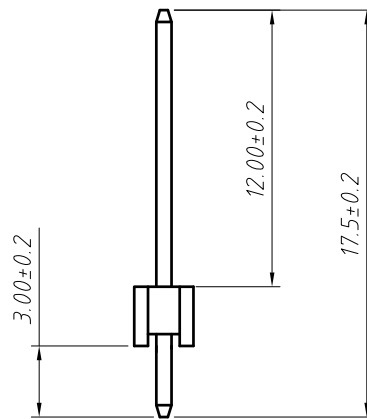
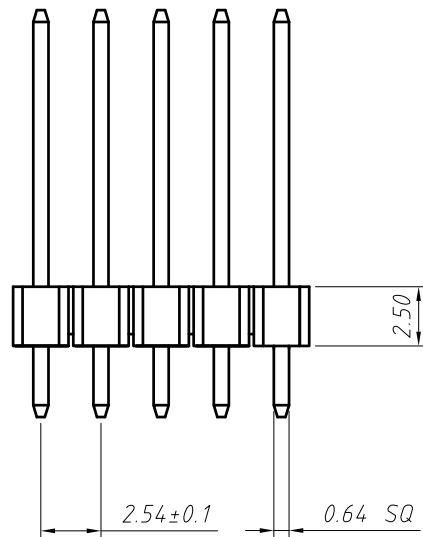


Recommended P.C.B Hole Layout

Material:
Standard:PBT
Contact: Brass
Insulator:Polyester,UL94V-0

Electrical Characteristics:
Rated Current: 3AMP
Contact Resistance: 20mΩ Max
Withstand Voltage: 1000V AC/DC
Insulator Resistance: 1000MΩ Min

Mechanical
Operating Temperature: -40°C ~ +105°C



Order Information:
L-KLS1-207-2.50-1-05-S-3.0×12.0×17.5-SN

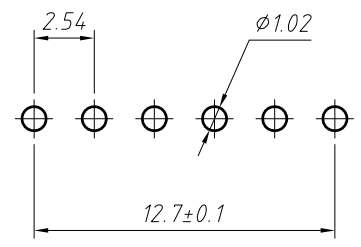
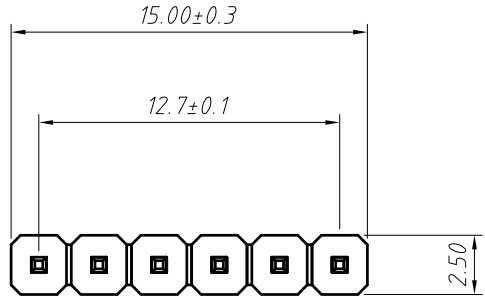
L: RoHS
 Pin Header Series
 207:2.54mm
 Plastics Height:2.50mm
 Per Row:1-Single layer
 Pin: No. of Pins:05Pin
 Type: Straight Pin
 Size:3.0×12.0×17.5
 Plating:SN= Tin Plating

ANGLE TOLERANCE	PROJECTION	Description:	2.54mm Pin Header
±3°			Single layer, Straight Pin, 1x05Pin
GENERAL TOLERANCE	UNITS	mm	KLS P/N:
x.x ±0.30	SHEET SIZE	A4	L-KLS1-207-2.50-1-05-S-3.0×12.0×17.5-SN
x.xx ±0.20	Draw:	Daniel	2018-07-10
x.xxx ±0.10	Check:	Daniel	2018-07-10



NingBo KLS ELECTRONIC CO.,L TD.

1
RoHS Compliance

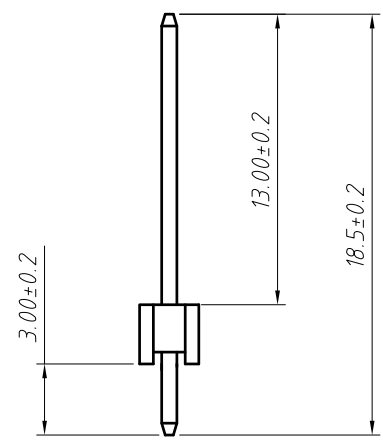
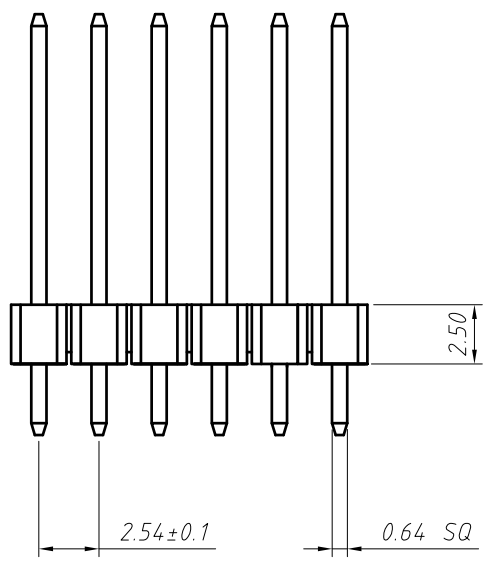


Recommended P.C.B Hole Layout

Material:
 Standard:PBT
 Contact: Brass
 Insulator:Polyester,UL94V-0

Electrical Characteristics:
 Rated Current: 3AMP
 Contact Resistance: 20mΩ Max
 Withstand Voltage: 1000V AC/DC
 Insulator Resistance: 1000MΩ Min

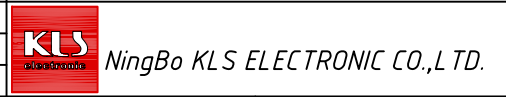
Mechanical
 Operating Temperature: -40°C ~ +105°C



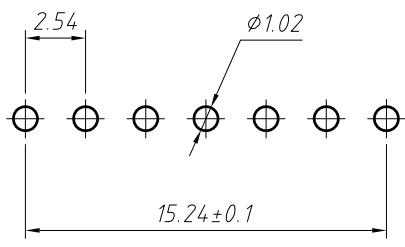
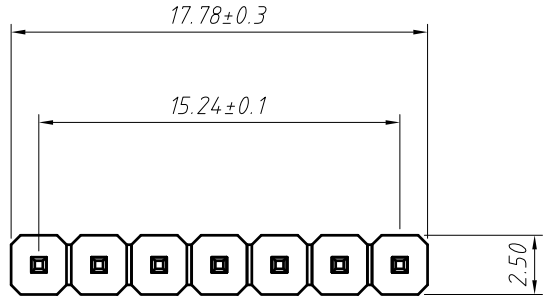
Order Information:
 L-KLS1-207-2.50-1-06-S-3.0×13.0×18.5-SN

- L: RoHS
- Pin Header Series
- 207:2.54mm
- Plastics Height:2.50mm
- Per Row:1-Single layer
- Pin: No. of Pins:06Pin
- Type: Straight Pin
- Size:3.0×13.0×18.5
- Plating:SN= Tin Plating

ANGLE TOLERANCE	PROJECTION	Description:	2.54mm Pin Header
±3°			Single layer, Straight Pin, 1x06Pin
GENERAL TOLERANCE	UNITS	mm	KLS P/N:
x.x ±0.30	SHEET SIZE	A4	L-KLS1-207-2.50-1-06-S-3.0×13.0×18.5-SN
x.xx ±0.20	Draw:	Daniel	2018-07-10
x.xxx ±0.10	Check:	Daniel	2018-07-10



1
RoHS Compliance

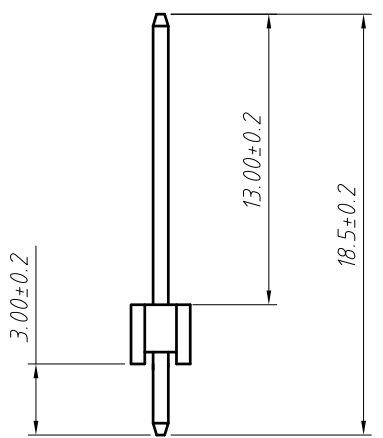
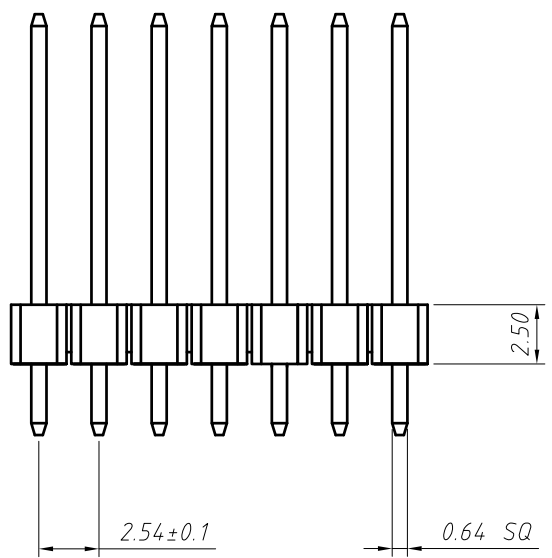


Recommended P.C.B Hole Layout

Material:
 Standard:PBT
 Contact: Brass
 Insulator:Polyester,UL94V-0

Electrical Characteristics:
 Rated Current: 3AMP
 Contact Resistance: 20mΩ Max
 Withstand Voltage: 1000V AC/DC
 Insulator Resistance: 1000MΩ Min

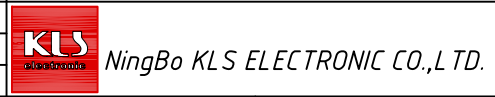
Mechanical
 Operating Temperature: -40°C ~ +105°C



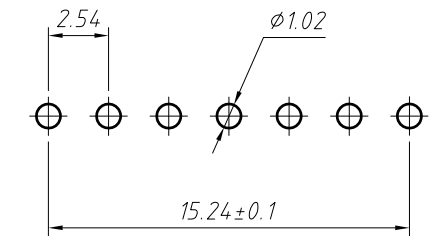
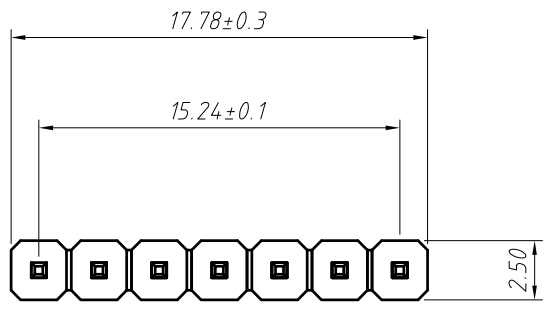
Order Information:
 L-KLS1-207-2.50-1-07-S-3.0×13.0×18.5-SN

- L: RoHS
- Pin Header Series
- 207:2.54mm
- Plastics Height:2.50mm
- Per Row:1-Single layer
- Pin: No. of Pins:07Pin
- Type: Straight Pin
- Size:3.0×13.0×18.5
- Plating:SN= Tin Plating

ANGLE TOLERANCE	PROJECTION	Description:	2.54mm Pin Header
±3°			Single layer, Straight Pin, 1x07Pin
GENERAL TOLERANCE	UNITS	mm	KLS P/N:
x.x ±0.30	SHEET SIZE	A4	L-KLS1-207-2.50-1-07-S-3.0×13.0×18.5-SN
x.xx ±0.20	Draw:	Daniel	2018-07-10
x.xxx ±0.10	Check:	Daniel	2018-07-10



1
RoHS Compliance

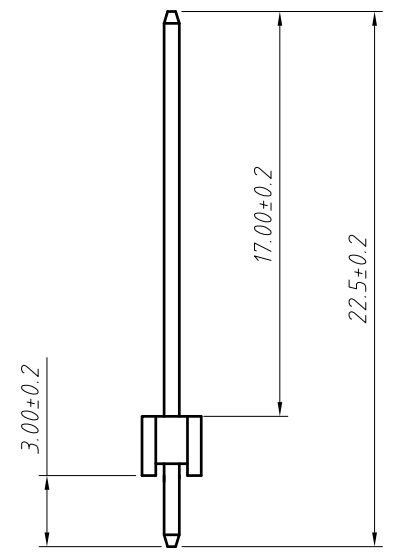
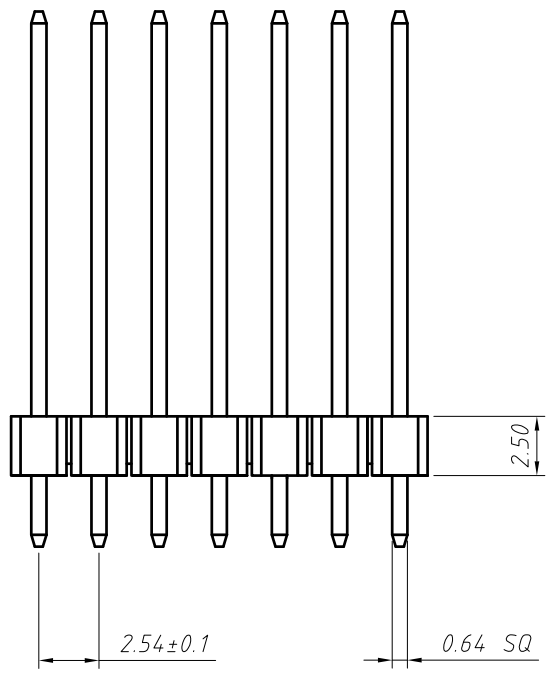


Recommended P.C.B Hole Layout

Material:
Standard:PBT
Contact: Brass
Insulator:Polyester,UL 94V-0

Electrical Characteristics:
Rated Current: 3AMP
Contact Resistance: 20mΩ Max
Withstand Voltage: 1000V AC/DC
Insulator Resistance: 1000MΩ Min

Mechanical
Operating Temperature: -40°C ~ +105°C

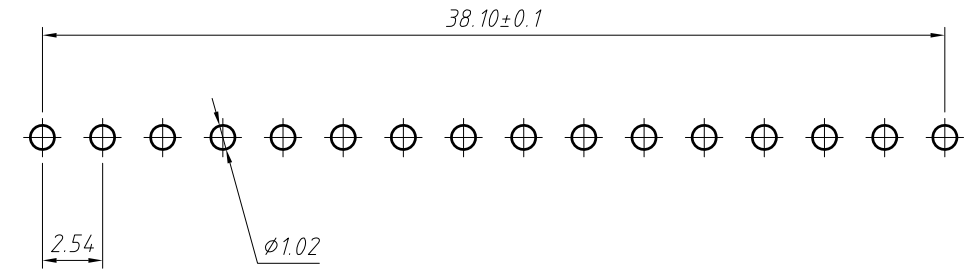
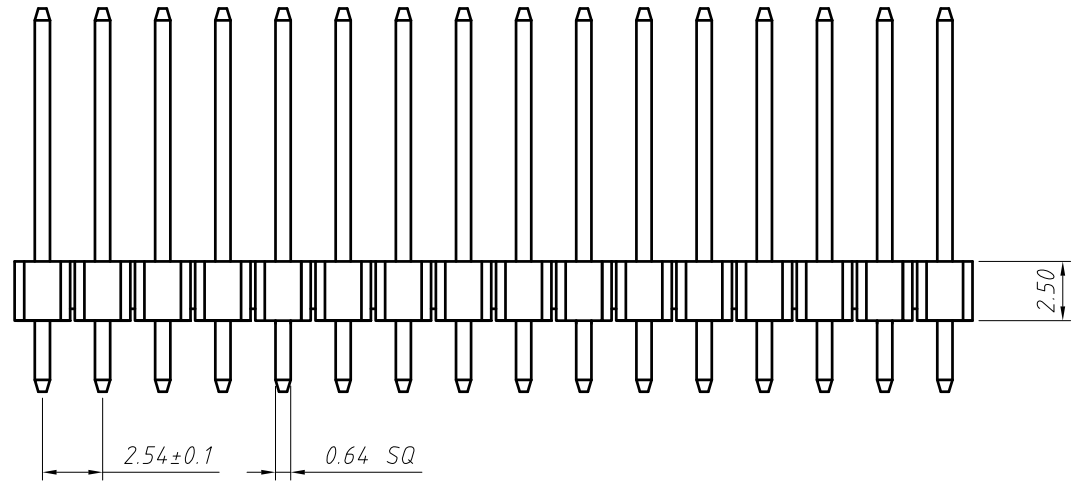
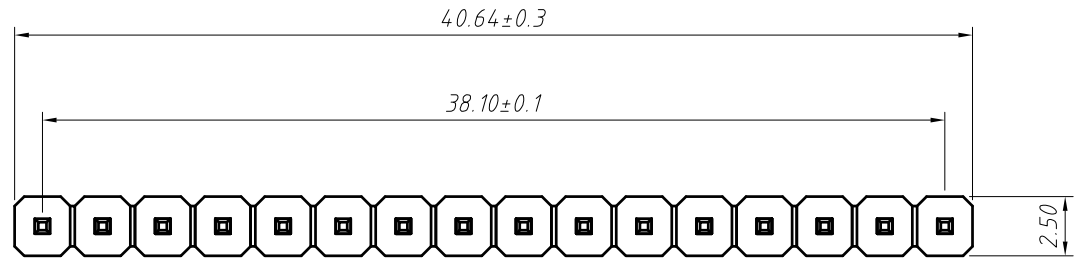


Order Information:
L-KLS1-207-2.50-1-07-S-3.0×17×22.5-SN

- L: RoHS
- Pin Header Series
- 207:2.54mm
- Plastics Height:2.50mm
- Per Row:1-Single layer
- Pin: No. of Pins:07Pin
- Type: Straight Pin
- Size:3.0×17×22.5
- Plating:SN= Tin Plating

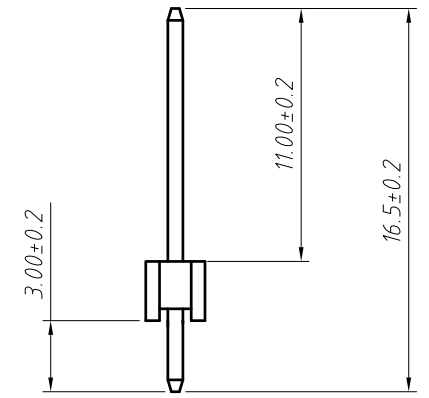
ANGLE TOLERANCE	PROJECTION	Description:	2.54mm Pin Header
±3°			Single layer, Straight Pin, 1x07Pin
GENERAL TOLERANCE	UNITS	mm	KLS P/N: L-KLS1-207-2.50-1-07-S-3.0×17×22.5-SN
x.x ±0.30	SHEET SIZE	A4	NingBo KLS ELECTRONIC CO.,L TD.
x.xx ±0.20	Draw:	Daniel	
x.xxx ±0.10	Check:	Daniel	

1
RoHS Compliance



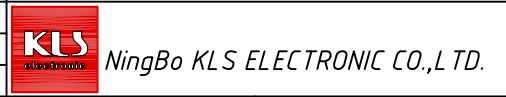
Recommended P.C.B Hole Layout

Order Information:
 L-KLS1-207-2.50-1-16-S-3.0×11.0×16.5-SN
 L: RoHS
 Pin Header Series
 207:2.54mm
 Plastics Height:2.50mm
 Per Row:1-Single layer
 Pin: No. of Pins:16Pin
 Type: Straight Pin
 Size:3.0×11.0×16.5
 Plating:SN= Tin Plating



Material:
 Standard:PBT Contact: Brass
 Insulator:Polyester,UL94V-0
 Electrical Characteristics:
 Rated Current: 3AMP
 Contact Resistance: 20mΩ Max
 Withstand Voltage: 1000V AC/DC
 Insulator Resistance: 1000MΩ Min
 Operating Temperature: -40°C ~ +105°C

ANGLE TOLERANCE	PROJECTION	Description:	2.54mm Pin Header
±3°			Single layer, Straight Pin, 1x16Pin
GENERAL TOLERANCE	UNITS	mm	KLS P/N:
x.x ±0.30	SHEET SIZE	A4	L-KLS1-207-2.50-1-16-S-3.0×11.0×16.5-SN
x.xx ±0.20	Draw:	Daniel	2018-07-10
x.xxx ±0.10	Check:	Daniel	2018-07-10



RoHS Compliance

Order Information:

L-KLS1-207-2.50-1-20-S-3.0×11.0×16.5-SN

L: RoHS

Pin Header Series

207:2.54mm

Plastics Height:2.50mm

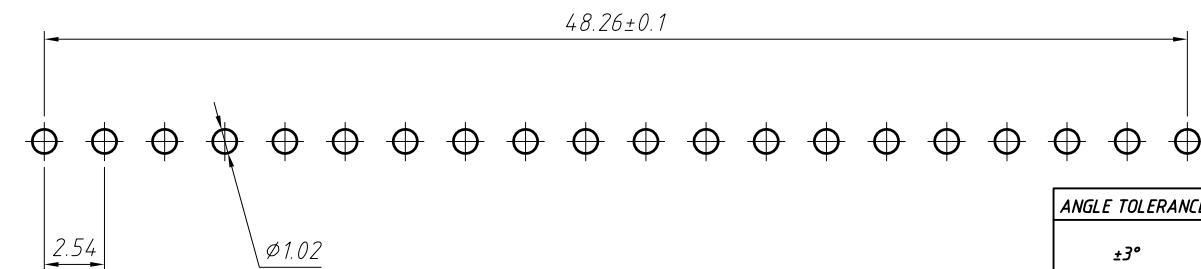
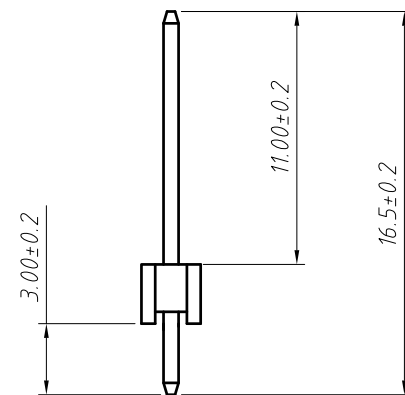
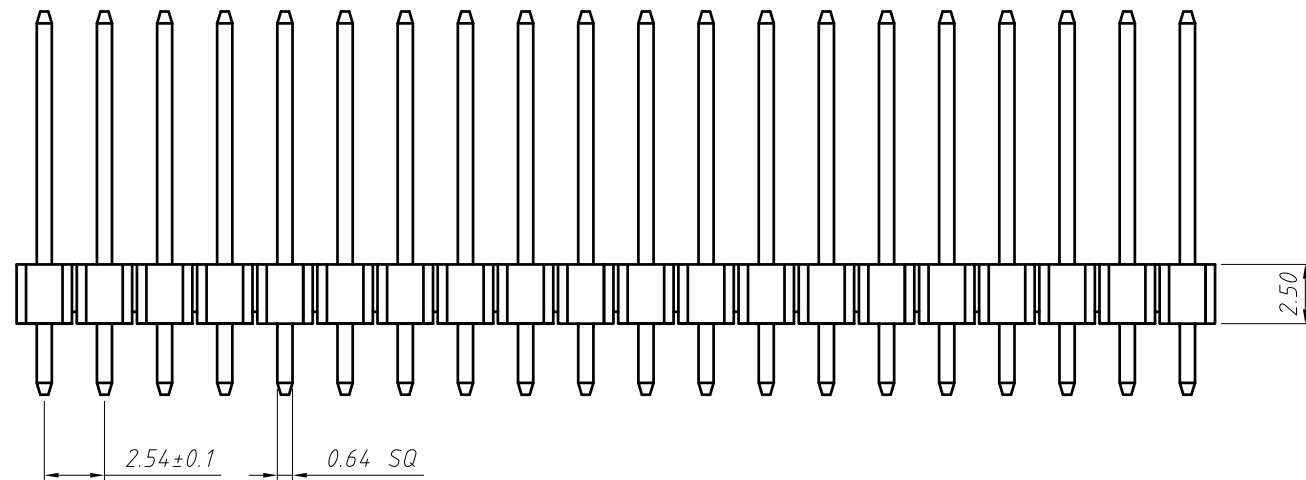
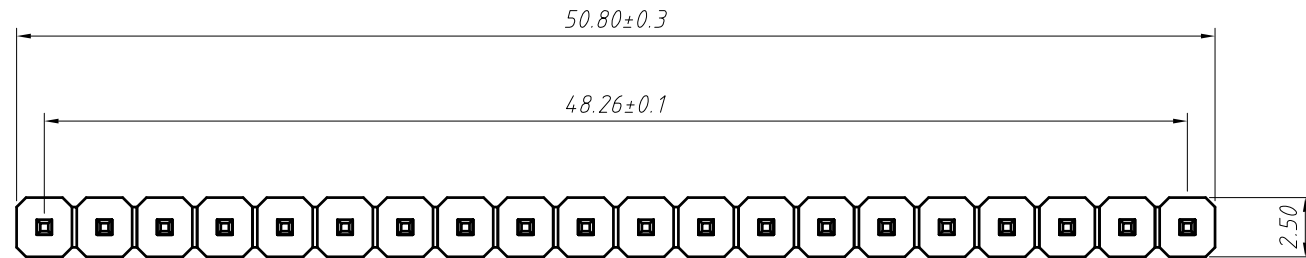
Per Row:1-Single layer

Pin: No. of Pins:20Pin

Type: Straight Pin

Size:3.0×11.0×16.5

Plating:SN= Tin Plating



Recommended P.C.B Hole Layout

Material:

Standard:PBT Contact: Brass

Insulator:Polyester,UL94V-0

Electrical Characteristics:

Rated Current: 3AMP

Contact Resistance: 20mΩ Max

Withstand Voltage: 1000V AC/DC

Insulator Resistance: 1000MΩ Min

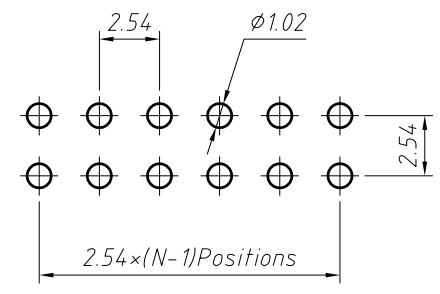
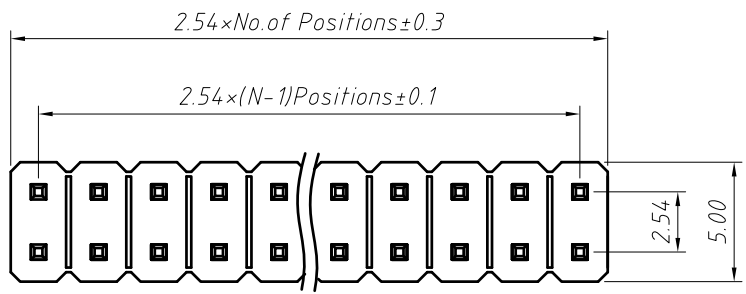
Operating Temperature: -40°C ~ +105°C

ANGLE TOLERANCE	PROJECTION	Description:	2.54mm Pin Header
±3°			Single layer, Straight Pin, 1x20Pin
GENERAL TOLERANCE	UNITS	mm	KLS P/N:
x.x ±0.30	SHEET SIZE	A4	L-KLS1-207-2.50-1-20-S-3.0×11.0×16.5-SN
x.xx ±0.20	Draw:	Daniel	2018-07-10
x.xxx ±0.10	Check:	Daniel	2018-07-10



NingBo KLS ELECTRONIC CO.,L TD.

1
RoHS Compliance

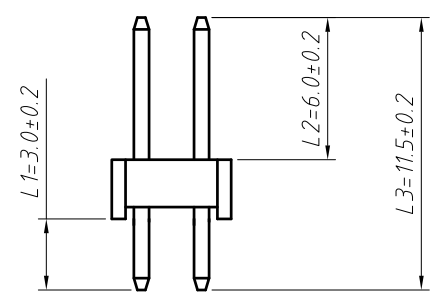
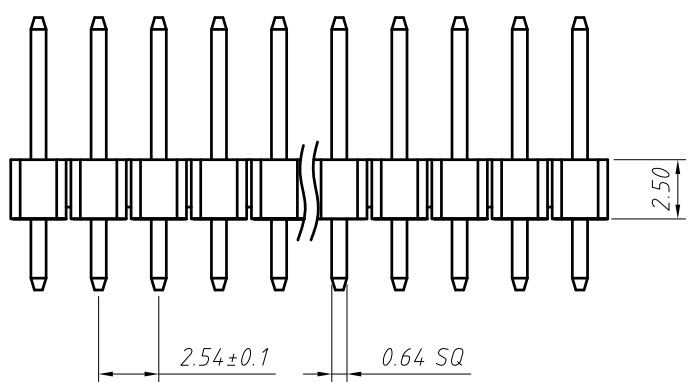


Recommended P.C.B Hole Layout

Material:
Standard: PBT
Contact: Brass
Insulator: Polyester, UL 94 V-0

Electrical Characteristics:
Rated Current: 3AMP
Contact Resistance: 20mΩ Max
Withstand Voltage: 1000V AC/DC
Insulator Resistance: 1000MΩ Min

Mechanical
Operating Temperature: -40°C ~ +105°C



Order Information:
L-KLS1-207-2.50-2-XX-S-L1xL2xL3-SN

- L: RoHS
- Pin Header Series
- 207: 2.54mm
- Plastics Height: 2.50mm
- Per Row: Dual Row
- Pin: No. of Pins (2x40)
- Type: Straight Pin
- Size: L1xL2xL3
- Plating: SN= Tin Plating

Dimension antitheses list (mm)

ITEM	L1	L2	L3	Plastic Height
Standard	3.00	6.00	11.5	2.50
Nonstandard	---	---	---	---

ANGLE TOLERANCE	PROJECTION	Description:	2.54mm Pin Header Dual Row, Straight Pin, 2xN Pin
±3°			
GENERAL TOLERANCE	UNITS	mm	KLS P/N: L-KLS1-207-2.50-2-XX-S-L1xL2xL3-SN
x.x ±0.30	SHEET SIZE	A4	
x.xx ±0.20	Draw:	Daniel	2018-07-10
x.xxx ±0.10	Check:	Daniel	2018-07-10



NingBo KLS ELECTRONIC CO.,L TD.