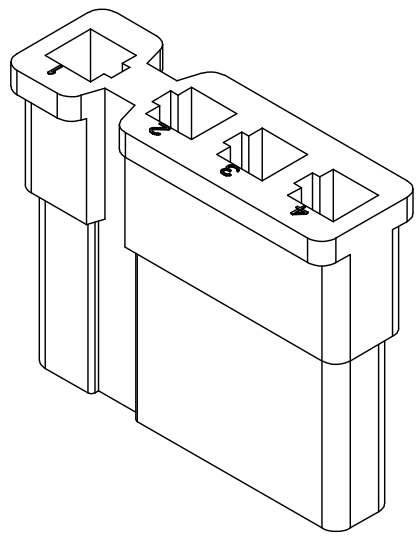
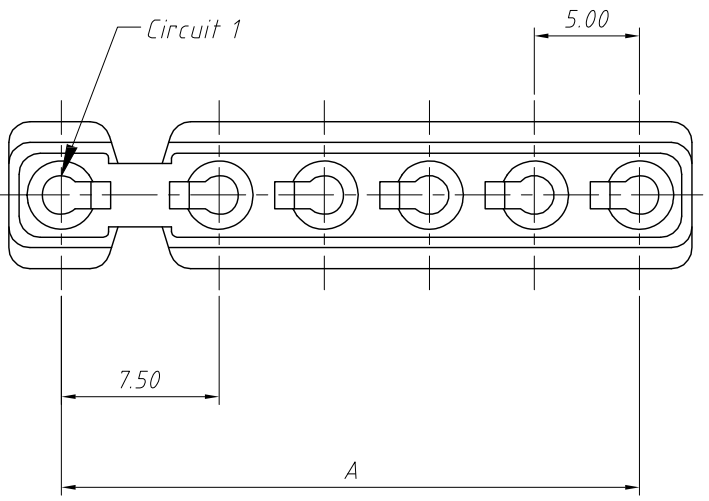


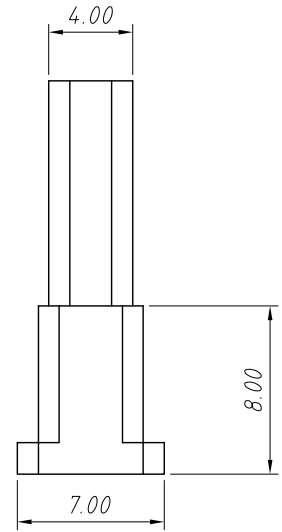
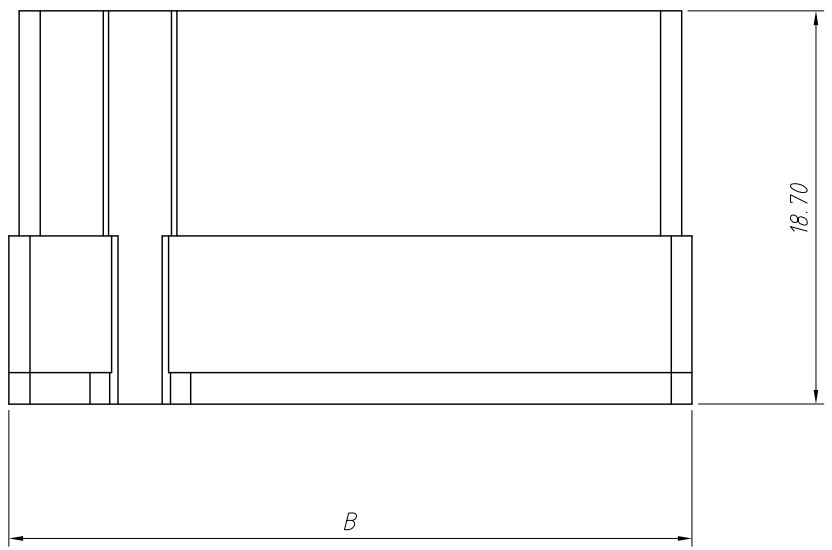
1  
RoHS Compliance



**Material:**  
Housing:PA66,UL 94V-0

**Electrical Characteristics:**  
Rated Current:7.0AMP  
Voltage rating:250V AC,DC  
Temperature range:-25°C ~ + 85°C  
Insulator Resistance:1000M $\Omega$  Min  
Withstand Voltage:1500V AC/DC  
Contact Resistance:10m $\Omega$  Max

Pin	Dimensions(mm)	
	A	B
01	---	5.00
02	7.50	12.50
03	12.50	17.50
04	17.50	22.50
05	22.50	27.50
06	27.50	32.50



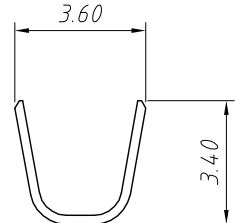
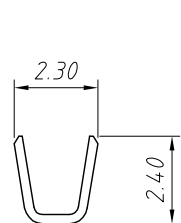
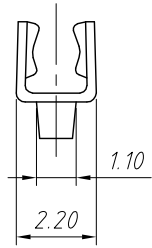
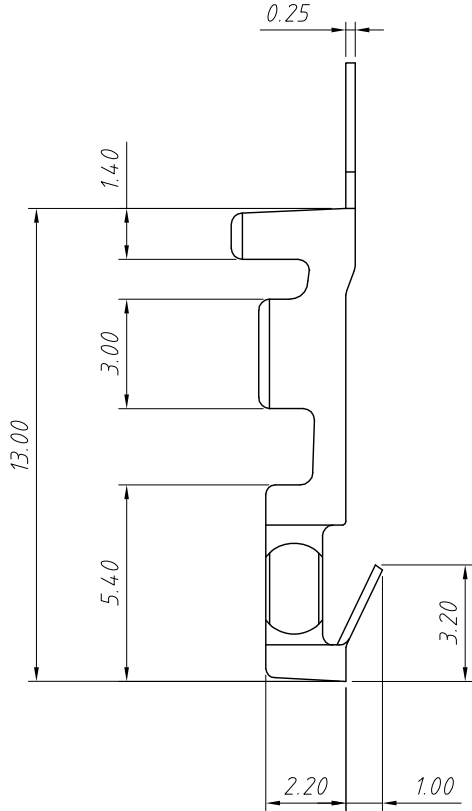
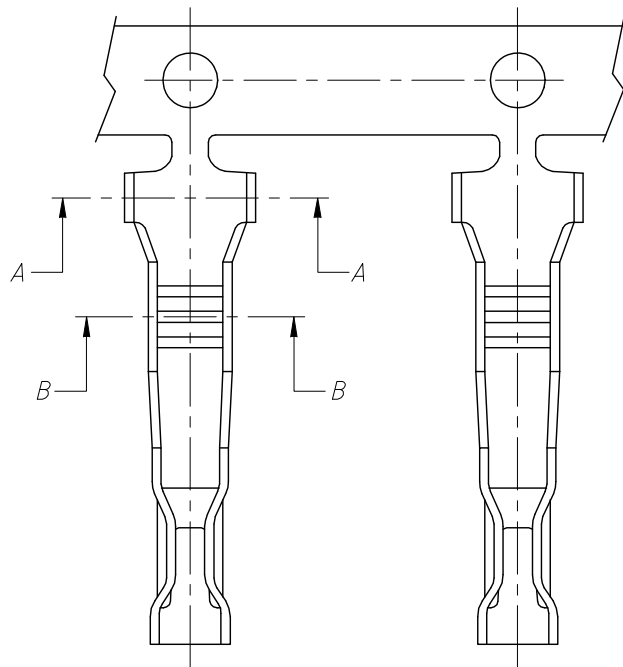
**Order Information:**  
L-KLS1-XL1-7.50-XX-H

L: RoHS  
Pitch:7.50mm  
XX-No.of 01~06 Pins  
Type:  
H-Housing T-Terminal  
S-Straight male pin

ANGLE TOLERANCE		PROJECTION		Description:	
$\pm 3^\circ$				7.50mm Pitch Wire To Board Connector	
GENERAL TOLERANCE		UNITS	mm	KLS P/N:	
x.x	$\pm 0.30$	SHEET SIZE	A4	L-KLS1-XL1-7.50-XX-H	
x.xx	$\pm 0.20$	Draw:	Daniel	2021-01-11	
x.xxx	$\pm 0.10$	Check:	Daniel	2021-01-11	

**NingBo KLS ELECTRONIC CO.,L TD.**

1  
RoHS Compliance



**Material:**  
Terminal: Brass  
Plating: Tin-plated.  
Applicable wires: AWG #18 ~ #24  
Insulation O.D: 2.70mm Max  
Qty/reel: 6000 PCS

**Electrical Characteristics:**  
Rated Current: 7.0AMP  
Voltage rating: 250V AC, DC  
Temperature range: -25°C ~ +85°C  
Insulator Resistance: 1000MΩ Min  
Withstand Voltage: 1500V AC/DC  
Contact Resistance: 10mΩ Max

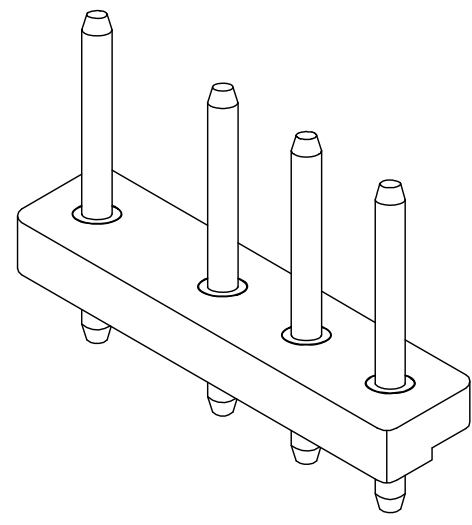
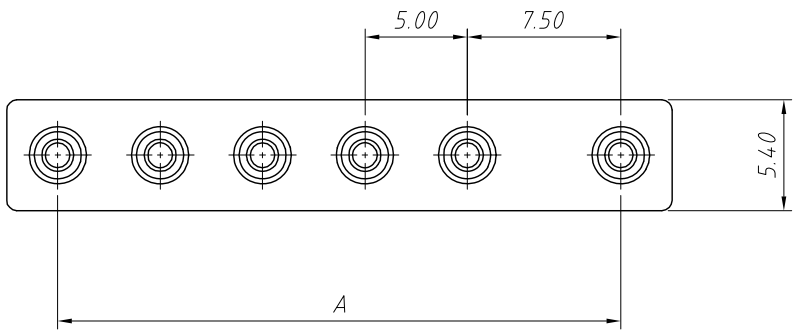
**Order Information:**  
L-KLS1-XL1-7.50-T  
L: RoHS  
Pitch: 7.50mm  
Type:  
H-Housing T-Terminal  
S-Straight male pin

ANGLE TOLERANCE	PROJECTION	Description:	
±3°		7.50mm Pitch Wire To Board Connector	
GENERAL TOLERANCE	UNITS	mm	KLS P/N:
x.x ±0.30	SHEET SIZE	A4	L-KLS1-XL1-7.50-T
x.xx ±0.20	Draw:	Daniel	2021-01-11
x.xxx ±0.10	Check:	Daniel	2021-01-11



NingBo KLS ELECTRONIC CO.,L TD.

1  
RoHS Compliance



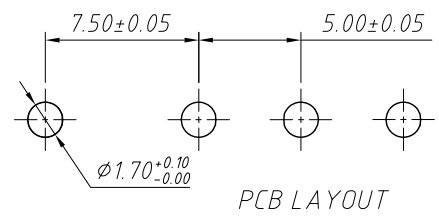
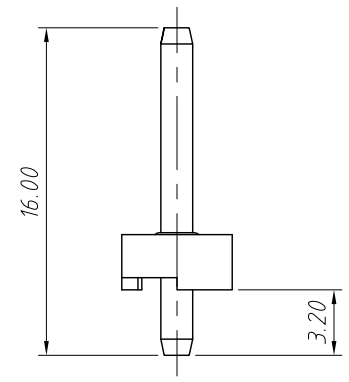
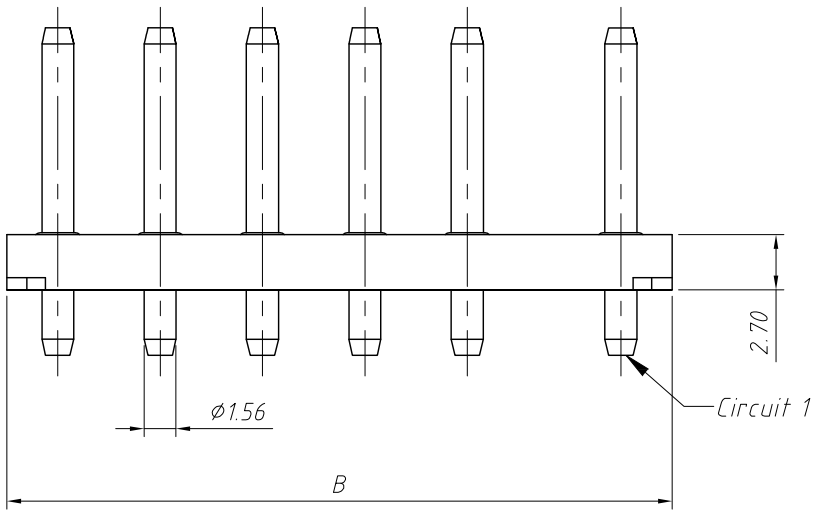
**Material:**  
Housing: PA66, UL 94 V-0  
Contact: Brass  
Plating: Tin Plated

**Electrical Characteristics:**  
Rated Current: 7.0AMP  
Voltage rating: 250V AC, DC  
Temperature range: -25°C ~ +85°C  
Insulator Resistance: 1000MΩ Min  
Withstand Voltage: 1500V AC/DC  
Contact Resistance: 10mΩ Max

Pin	Dimensions (mm)	
	A	B
01	---	5.00
02	7.50	12.50
03	12.50	17.50
04	17.50	22.50
05	22.50	27.50
06	27.50	32.50

**Order Information:**  
L-KLS1-XL1-7.50-XX-S

L: RoHS  
Pitch: 7.50mm  
XX-No. of 01~06 Pins  
Type: \_\_\_\_\_  
H-Housing T-Terminal  
S-Straight male pin



ANGLE TOLERANCE	PROJECTION	Description:	
±3°		7.50mm Pitch Wire To Board Connector	
GENERAL TOLERANCE	UNITS	mm	KLS P/N:
x.x ±0.30	SHEET SIZE	A4	L-KLS1-XL1-7.50-XX-S
x.xx ±0.20	Draw:	Daniel	2021-01-11
x.xxx ±0.10	Check:	Daniel	2021-01-11



NingBo KLS ELECTRONIC CO., L TD.