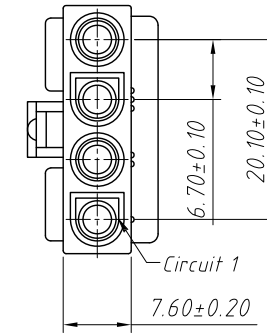
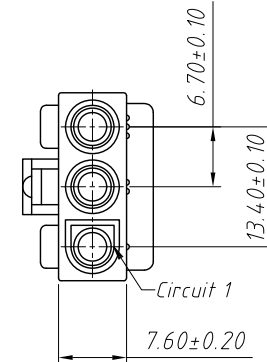
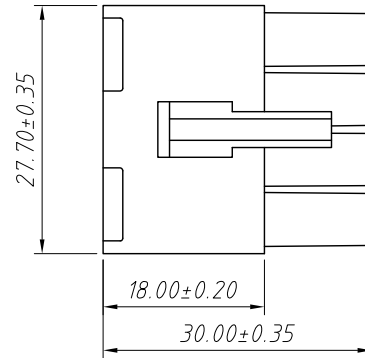
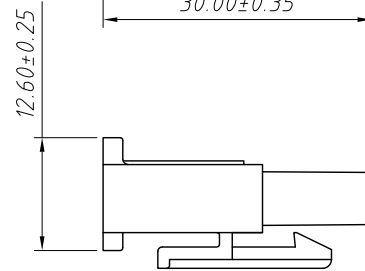
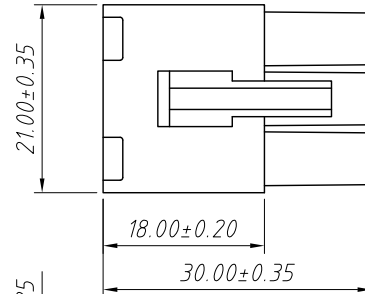
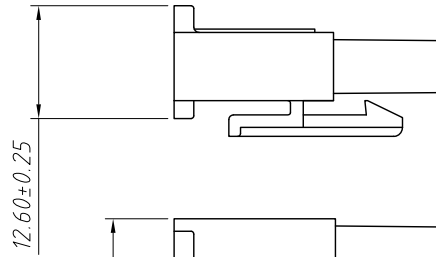
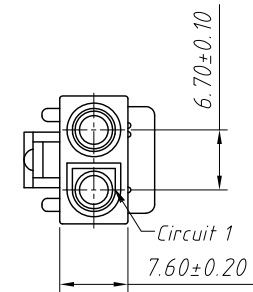
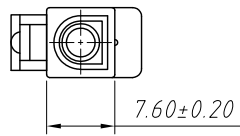
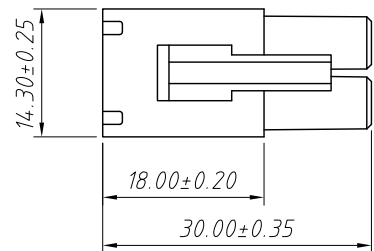
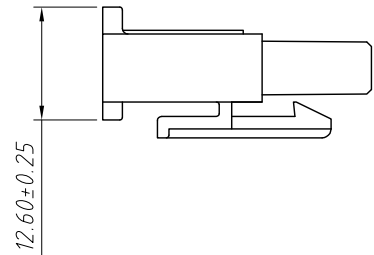
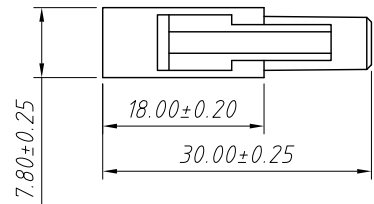
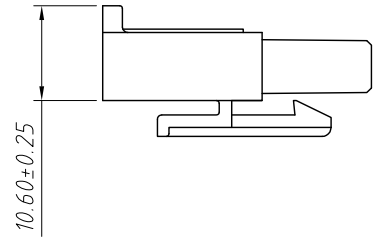


1 RoHS Compliance



Material:
Housing:PA66,UL 94V-2,Natural

Electrical Characteristics:
Rated Current:12.0AMP
Voltage rating:600V AC,DC
Temperature range:-40°C ~ + 105°C
Insulator Resistance:1000M Ω Min
Withstand Voltage:1500V AC/DC
Contact Resistance:10m Ω Max

Pin	Dimensions(mm)	
	A	B
01	14.20	9.80
02	20.90	10.00
03	27.20	10.00
04	34.30	10.00

Order Information:
L-KLS1-6.70-1 \times XX-R

L: RoHS
Pitch:6.70mm
Row:1-Single layer
2-Double layer
3-Three layer
XX-No.of 01~04 Pins
Type:
R-Male Housing
P PF- Female Housing
FT-Female Terminal
MT-Male Terminal
S-Straight male pin

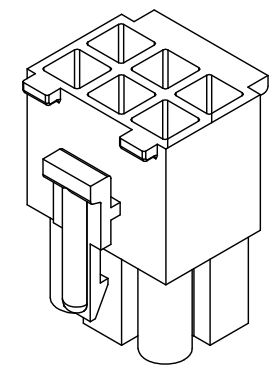
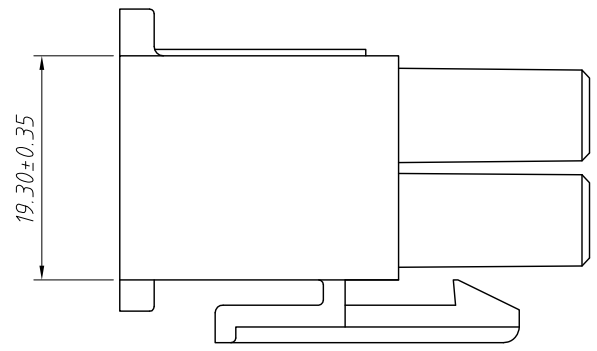
ANGLE TOLERANCE	PROJECTION	Description:
$\pm 3^\circ$		6.70mm pitch Wire To Board Connectors
GENERAL TOLERANCE	UNITS	mm
x.x ± 0.30	SHEET SIZE	A4
x.xx ± 0.20	Draw:	Daniel 2021-01-11
x.xxx ± 0.10	Check:	Daniel 2021-01-11



NingBo KLS ELECTRONIC CO.,L TD.

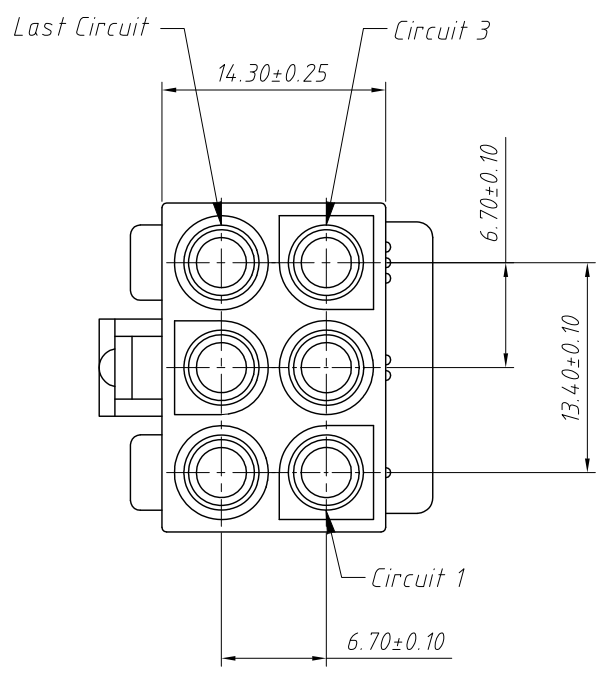
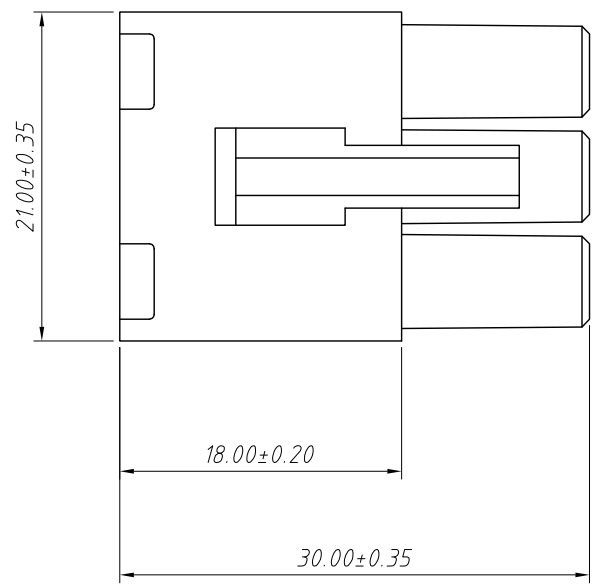
1
RoHS Compliance

A
B
C
D
E
F
G
H



Material:
Housing:PA66,UL 94V-2,UL 94V-0
Color:Natural

Electrical Characteristics:
Rated Current:12.0AMP
Voltage rating:600V AC,DC
Temperature range:-40°C ~ + 105°C
Insulator Resistance:1000M Ω Min
Withstand Voltage:1500V AC/DC
Contact Resistance:10m Ω Max



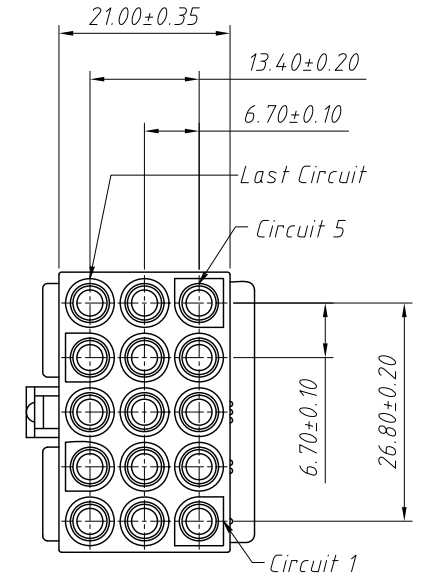
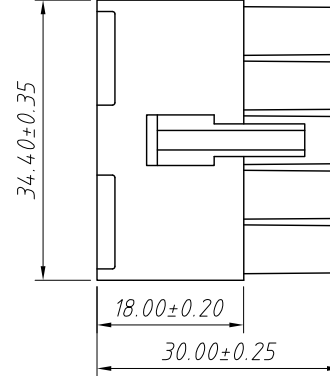
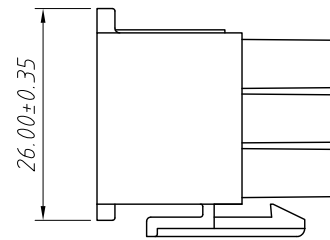
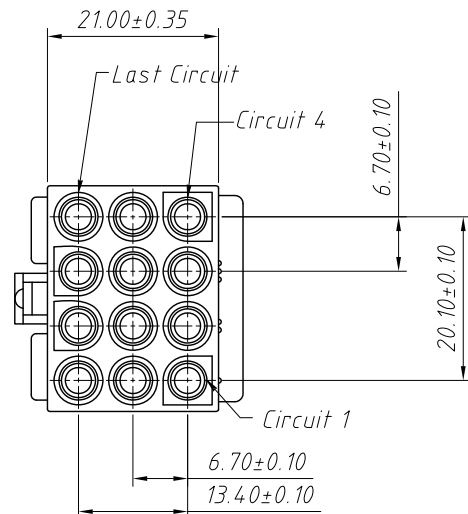
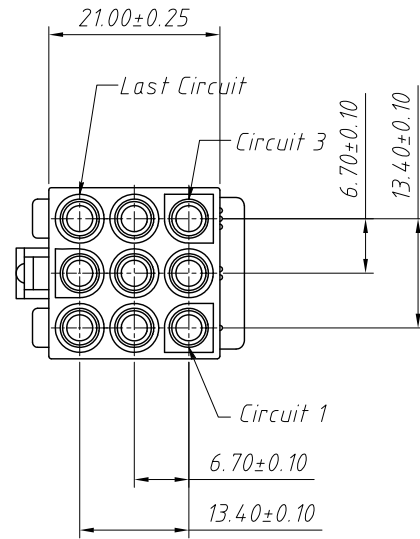
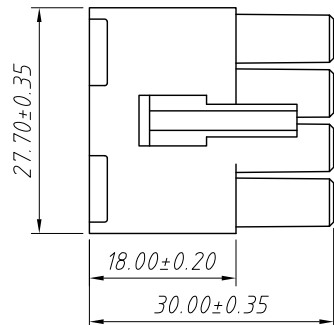
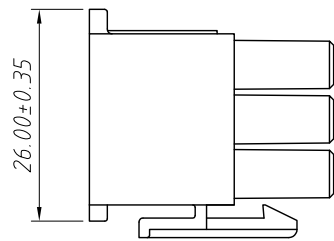
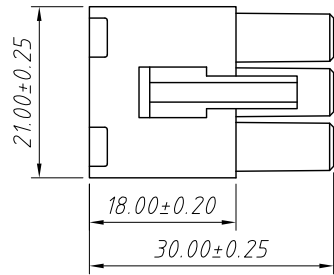
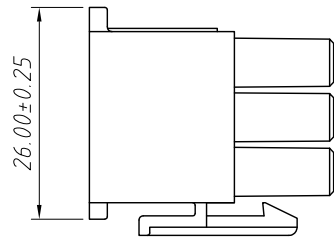
Order Information:
L-KLS1-6.70-2x03-R
L: RoHS
Pitch:6.70mm
Row:1-Single layer
2-Double layer
3-Three layer
XX-No.of 03 Pins
Type:
R-Male Housing
P PF- Female Housing
FT-Female Terminal
MT-Male Terminal
S-Straight male pin

ANGLE TOLERANCE	PROJECTION	Description:		
$\pm 3^\circ$		6.70mm pitch Wire To Board Connectors		
GENERAL TOLERANCE	UNITS	mm	KLS P/N:	L-KLS1-6.70-2x03-R
x.x ± 0.30	SHEET SIZE	A4		
x.xx ± 0.20	Draw:	Daniel	2021-01-11	
x.xxx ± 0.10	Check:	Daniel	2021-01-11	

KLS NingBo KLS ELECTRONIC CO.,L TD.

1 2 3 4 5 6 7 8

RoHS Compliance

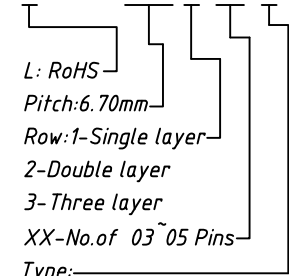


Material:
Housing: PA66, UL 94 V-2, UL 94 V-0
Color: Natural

Electrical Characteristics:
Rated Current: 12.0 AMP
Voltage rating: 600V AC, DC
Temperature range: -40°C ~ +105°C
Insulator Resistance: 1000MΩ Min
Withstand Voltage: 1500V AC/DC
Contact Resistance: 10mΩ Max

Order Information:

L-KLS1-6.70-3×XX-R



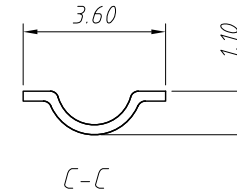
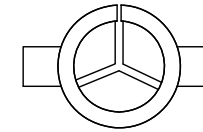
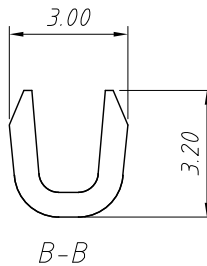
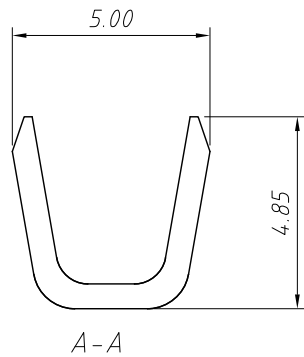
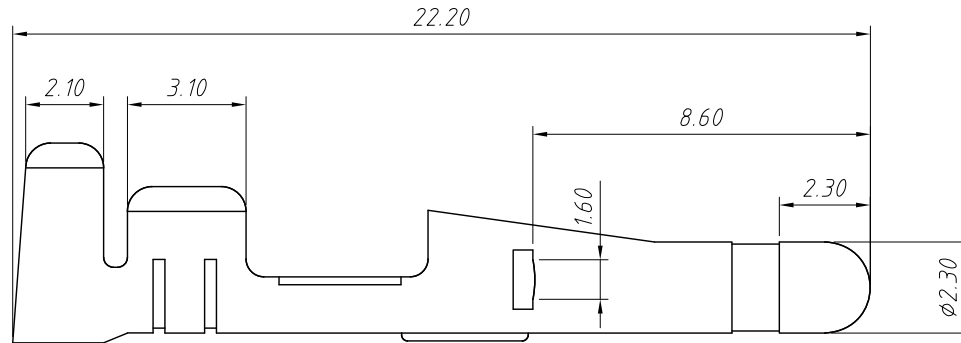
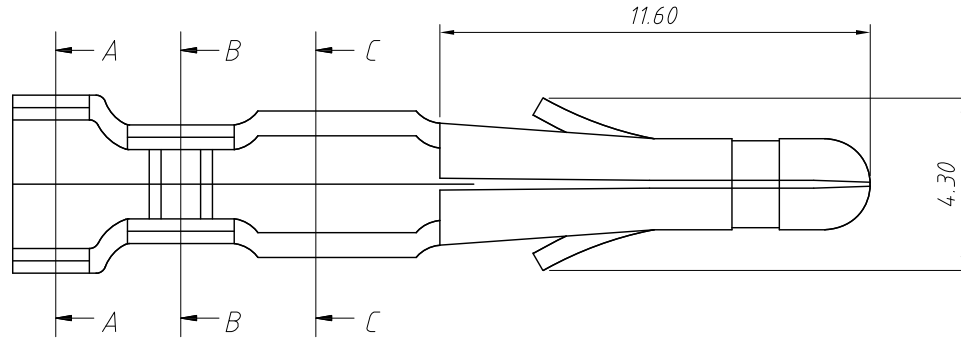
Type: _____
R-Male Housing P PF- Female Housing
FT-Female Terminal MT-Male Terminal
S-Straight male pin

ANGLE TOLERANCE	PROJECTION	Description:
±3°		6.70mm pitch Wire To Board Connectors
GENERAL TOLERANCE	UNITS	mm
x.x ±0.30	SHEET SIZE	A4
x.xx ±0.20	Draw:	Daniel 2021-01-11
x.xxx ±0.10	Check:	Daniel 2021-01-11



NingBo KLS ELECTRONIC CO.,L TD.

RoHS Compliance



Material:
 Terminal: Brass
 Plating: Tin-plated.
 Applicable wires: AWG #14 ~ # 24

Electrical Characteristics:
 Rated Current: 12.0AMP
 Voltage rating: 600V AC, DC
 Temperature range: $-40^{\circ}\text{C} \sim +105^{\circ}\text{C}$
 Insulator Resistance: 1000M Ω Min
 Withstand Voltage: 1500V AC/DC
 Contact Resistance: 10m Ω Max

Order Information:
 L-KLS1-6.70-MT

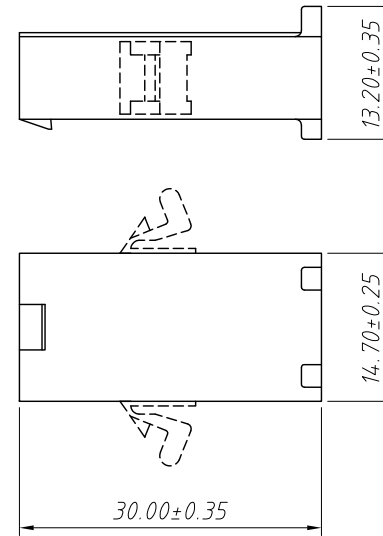
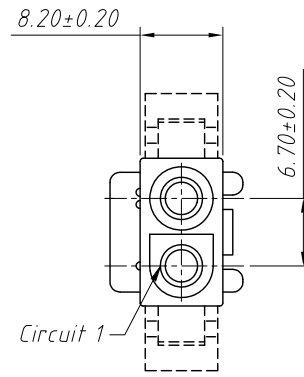
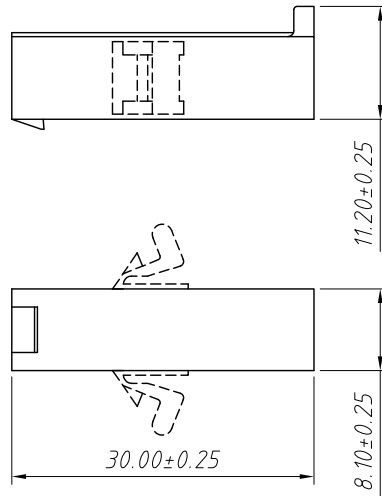
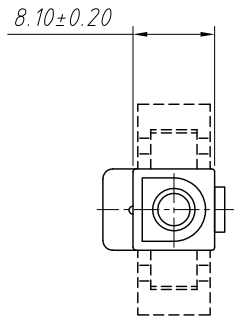
L: RoHS
 Pitch: 6.70mm
 Type:
 R-Male Housing
 P PF- Female Housing
 FT-Female Terminal
 MT-Male Terminal
 S-Straight male pin

ANGLE TOLERANCE	PROJECTION	Description:
$\pm 3^{\circ}$		6.70mm pitch Wire To Board Connectors
GENERAL TOLERANCE	UNITS	mm
x.x ± 0.30	SHEET SIZE	A4
x.xx ± 0.20	Draw:	Daniel 2021-01-11
x.xxx ± 0.10	Check:	Daniel 2021-01-11



NingBo KLS ELECTRONIC CO.,LTD.

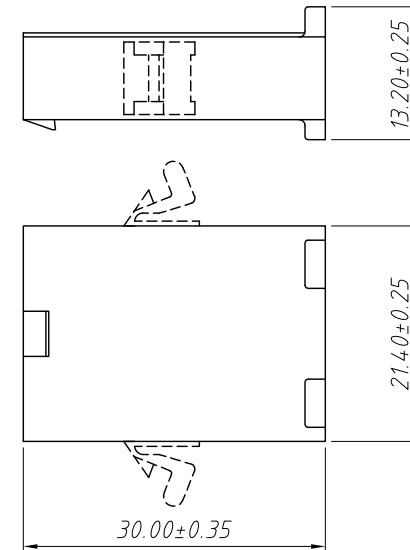
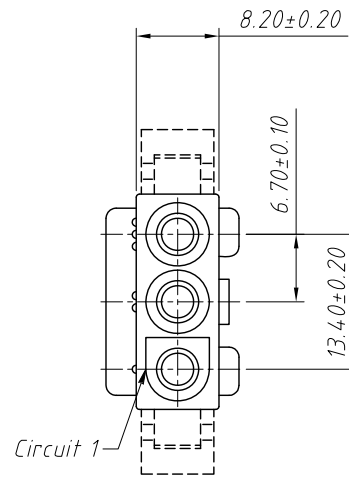
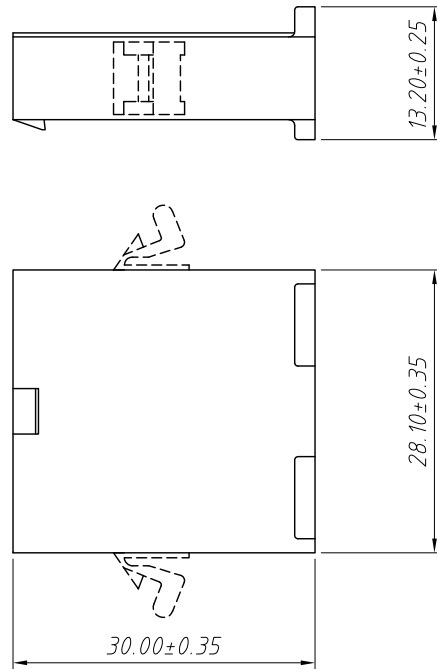
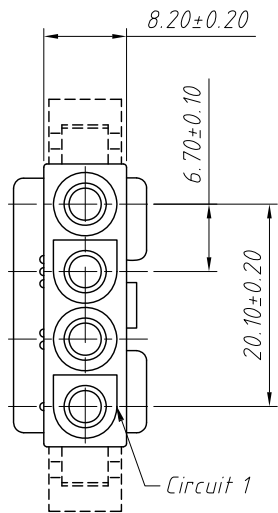
1 RoHS Compliance



Material:
Housing:PA66,UL 94 V-2,Natural

Electrical Characteristics:
Rated Current:12.0AMP
Voltage rating:600V AC,DC
Temperature range:-40°C ~ + 105°C
Insulator Resistance:1000MΩ Min
Withstand Voltage:1500V AC/DC
Contact Resistance:10mΩ Max

Pin	Dimensions(mm)	
	A	B
01	14.20	9.80
02	20.90	10.00
03	27.20	10.00
04	34.30	10.00



Order Information:
L-KLS1-6.70-1×XX-P

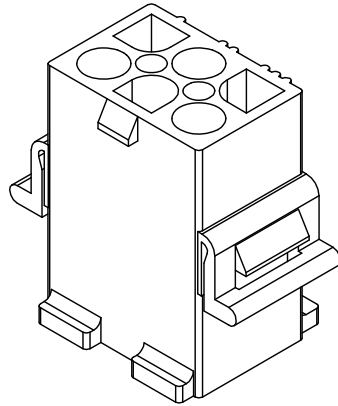
L: RoHS
Pitch:6.70mm
Row:1-Single layer
2-Double layer
3-Three layer
XX-No.of 01~04 Pins
Type:
R-Male Housing
P PF- Female Housing
FT-Female Terminal
MT-Male Terminal
S-Straight male pin

ANGLE TOLERANCE	PROJECTION	Description:
±3°		6.70mm pitch Wire To Board Connectors
GENERAL TOLERANCE	UNITS	mm
x.x ±0.30	SHEET SIZE	A4
x.xx ±0.20	Draw:	Daniel 2021-01-11
x.xxx ±0.10	Check:	Daniel 2021-01-11



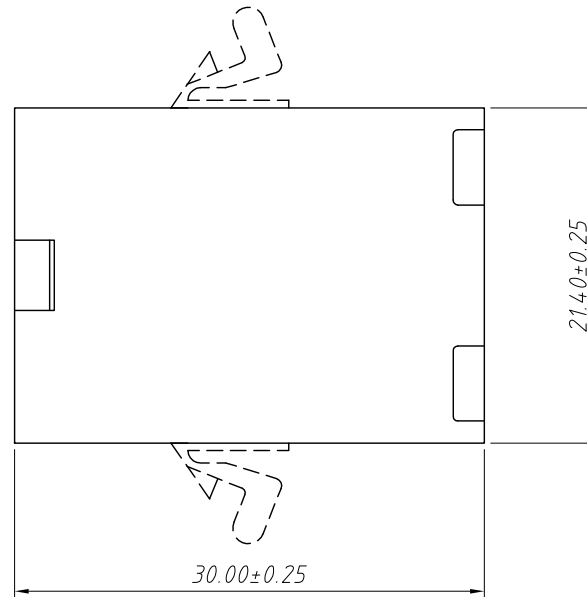
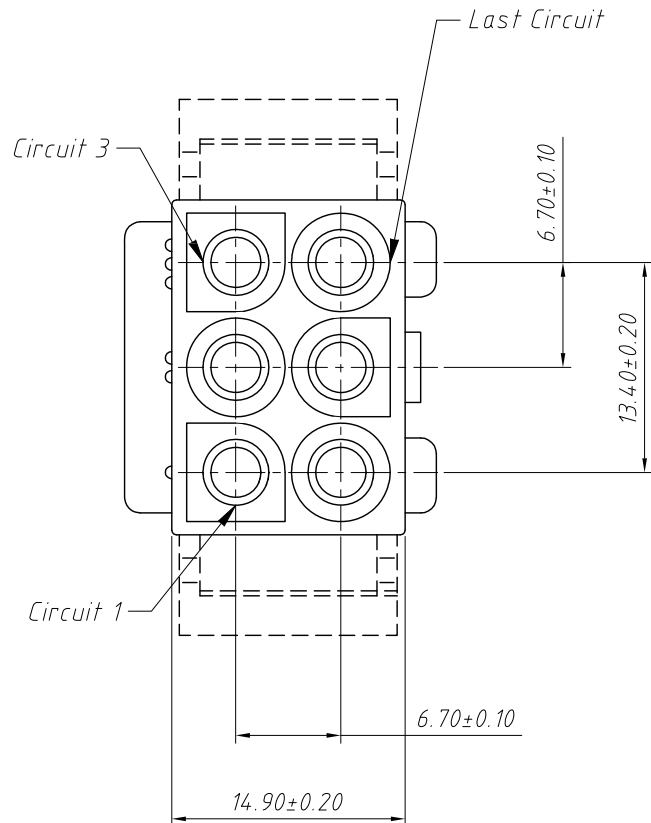
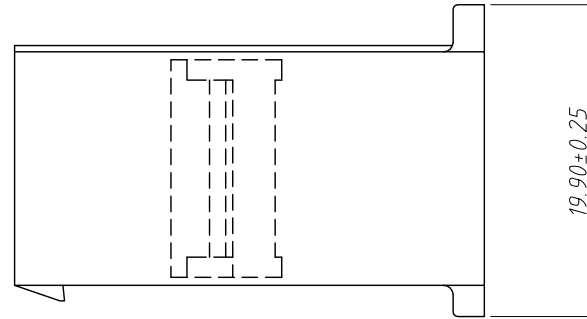
NingBo KLS ELECTRONIC CO.,L.TD.

1
RoHS Compliance



Material:
Housing:PA66,UL 94 V-2,UL 94 V-0
Color:Natural

Electrical Characteristics:
Rated Current:12.0AMP
Voltage rating:600V AC,DC
Temperature range:-40°C ~ + 105°C
Insulator Resistance:1000M Ω Min
Withstand Voltage:1500V AC/DC
Contact Resistance:10m Ω Max



Order Information:

L-KLS1-6.70-2x03-P

L: RoHS

Pitch:6.70mm

Row:1-Single layer

2-Double layer

3-Three layer

XX-No.of 03 Pins

Type:

R-Male Housing

P PF- Female Housing

FT-Female Terminal

MT-Male Terminal

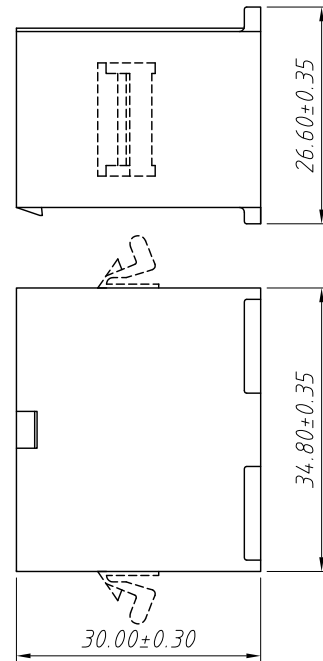
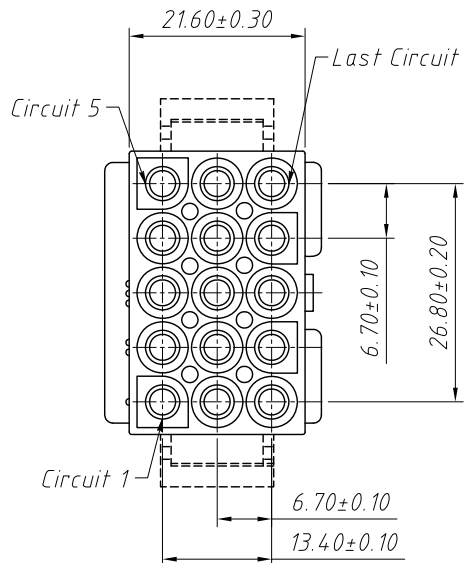
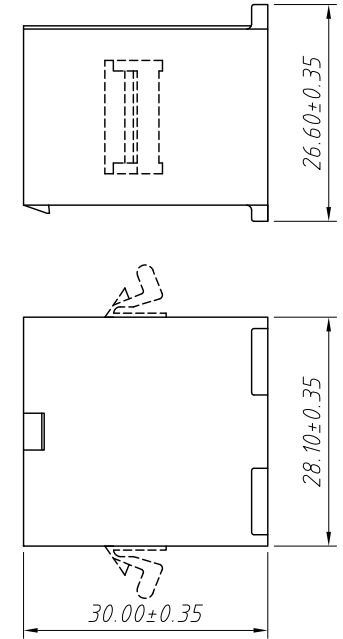
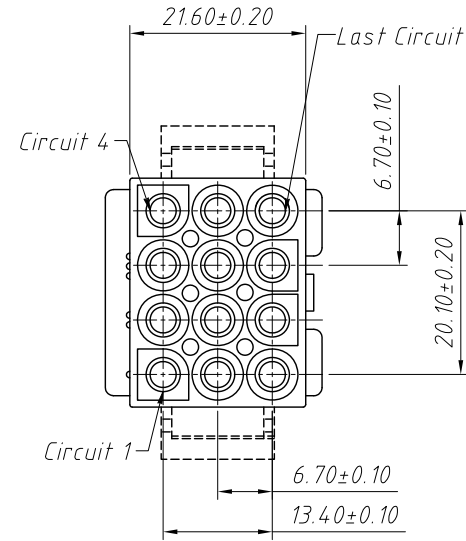
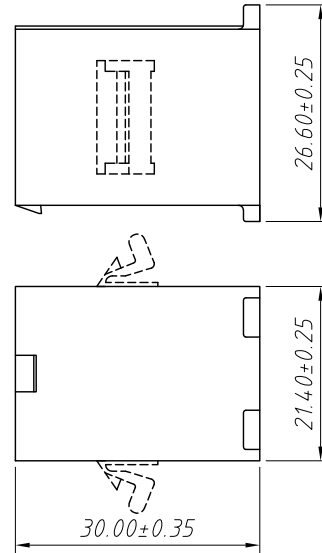
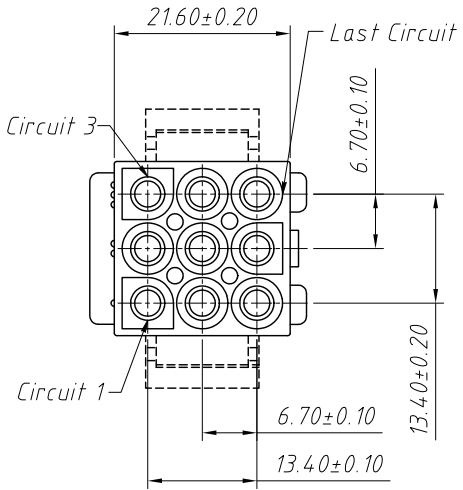
S-Straight male pin

ANGLE TOLERANCE	PROJECTION	Description:		
$\pm 3^\circ$		6.70mm pitch Wire To Board Connectors		
GENERAL TOLERANCE	UNITS	mm	KLS P/N:	L-KLS1-6.70-2x03-P
x.x ± 0.30	SHEET SIZE	A4		
x.xx ± 0.20	Draw:	Daniel	2021-01-11	
x.xxx ± 0.10	Check:	Daniel	2021-01-11	



NingBo KLS ELECTRONIC CO.,L TD.

RoHS Compliance

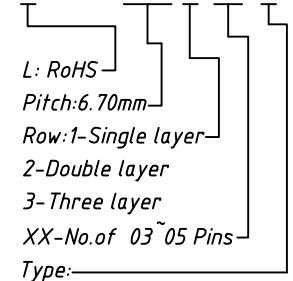


Material:
Housing: PA66, UL 94V-2, UL 94V-0
Color: Natural

Electrical Characteristics:
Rated Current: 12.0AMP
Voltage rating: 600V AC, DC
Temperature range: -40°C ~ +105°C
Insulator Resistance: 1000MΩ Min
Withstand Voltage: 1500V AC/DC
Contact Resistance: 10mΩ Max

Order Information:

L-KLS1-6.70-3×XX-P



L: RoHS
Pitch: 6.70mm
Row: 1-Single layer
2-Double layer
3-Three layer
XX-No. of 03~05 Pins
Type: R-Male Housing P PF- Female Housing
FT-Female Terminal MT-Male Terminal
S-Straight male pin

ANGLE TOLERANCE	PROJECTION	Description:		
±3°		6.70mm pitch Wire To Board Connectors		
GENERAL TOLERANCE	UNITS	mm	KLS P/N:	L-KLS1-6.70-3×XX-P
x.x ±0.30	SHEET SIZE	A4		
x.xx ±0.20	Draw:	Daniel	2021-01-11	
x.xxx ±0.10	Check:	Daniel	2021-01-11	



NingBo KLS ELECTRONIC CO.,LTD.

1
RoHS Compliance

2

3

4

5

6

7

8

A

B

C

D

E

F

G

H

A

B

C

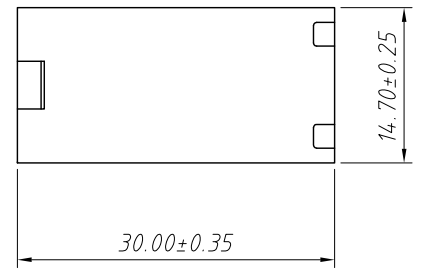
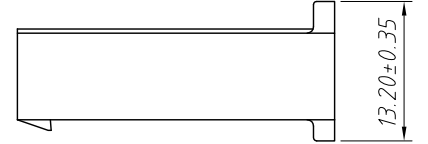
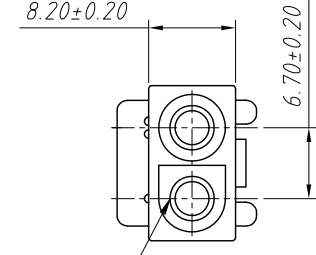
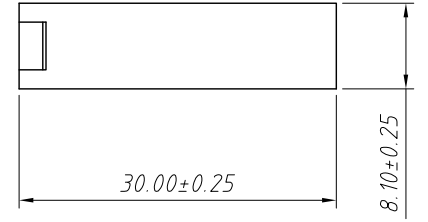
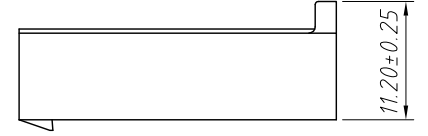
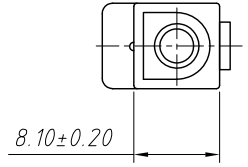
D

E

F

G

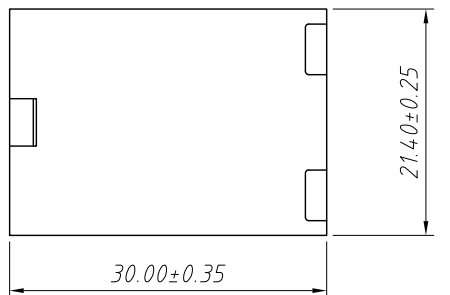
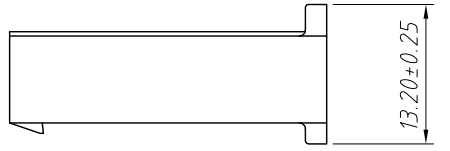
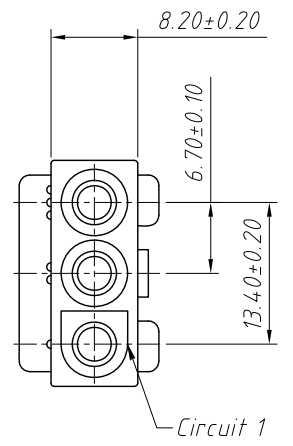
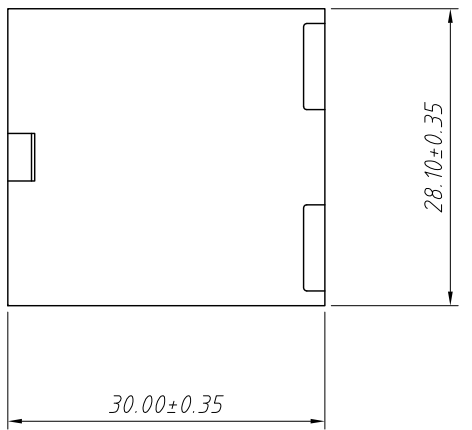
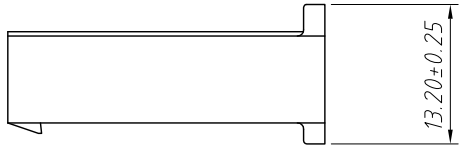
H



Material:
Housing:PA66,UL 94V-2,Natural

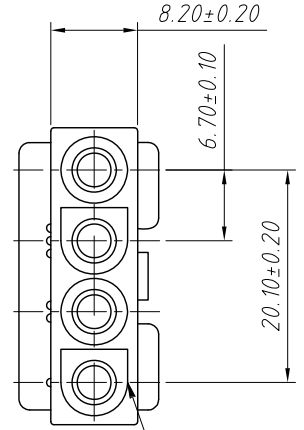
Electrical Characteristics:
Rated Current:12.0AMP
Voltage rating:600V AC,DC
Temperature range:-40°C ~ + 105°C
Insulator Resistance:1000MΩ Min
Withstand Voltage:1500V AC/DC
Contact Resistance:10mΩ Max

Pin	Dimensions(mm)	
	A	B
01	14.20	9.80
02	20.90	10.00
03	27.20	10.00
04	34.30	10.00



Order Information:
L-KLS1-6.70-1×XX-PF

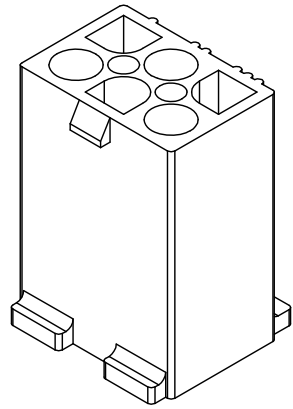
L: RoHS
Pitch:6.70mm
Row:1-Single layer
2-Double layer
3-Three layer
XX-No.of 01~04 Pins
Type:
R-Male Housing
P PF- Female Housing
FT-Female Terminal
MT-Male Terminal
S-Straight male pin



ANGLE TOLERANCE	PROJECTION	Description:
±3°		6.70mm pitch Wire To Board Connectors
GENERAL TOLERANCE	UNITS	mm
x.x ±0.30	SHEET SIZE	A4
x.xx ±0.20	Draw:	Daniel 2021-01-11
x.xxx ±0.10	Check:	Daniel 2021-01-11

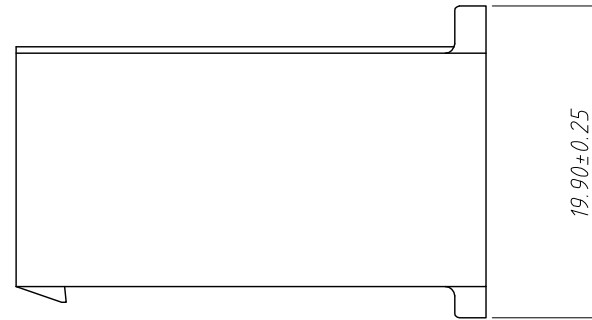


1
RoHS Compliance



Material:
Housing:PA66,UL 94 V-2,UL 94 V-0
Color:Natural

Electrical Characteristics:
Rated Current:12.0AMP
Voltage rating:600V AC,DC
Temperature range:-40°C ~ + 105°C
Insulator Resistance:1000M Ω Min
Withstand Voltage:1500V AC/DC
Contact Resistance:10m Ω Max



19.90±0.25

Order Information:

L-KLS1-6.70-2×03-PF

L: RoHS

Pitch:6.70mm

Row:1-Single layer

2-Double layer

3-Three layer

XX-No.of 03 Pins

Type:

R-Male Housing

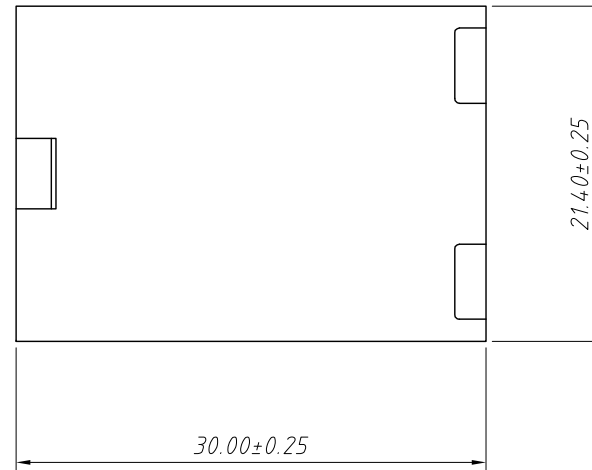
P PF- Female Housing

FT-Female Terminal

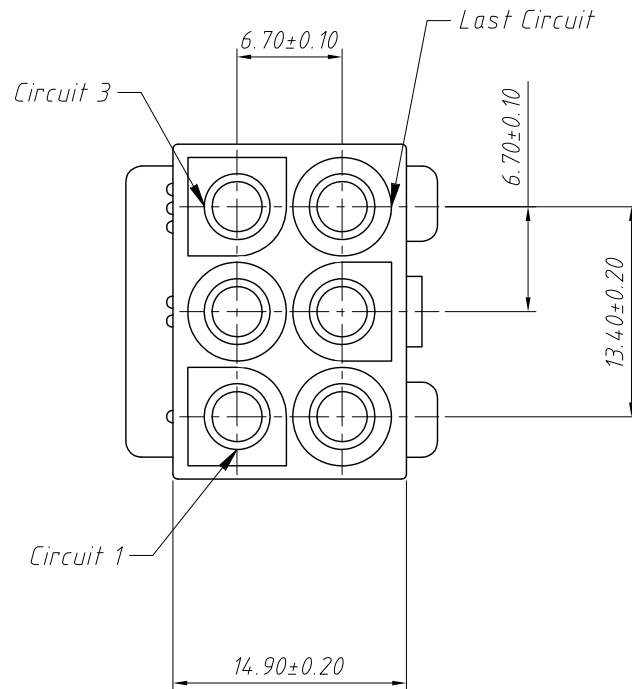
MT-Male Terminal

S-Straight male pin

21.40±0.25



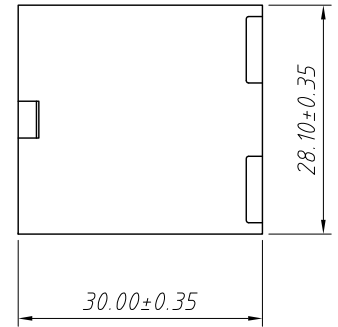
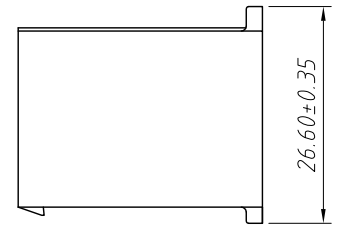
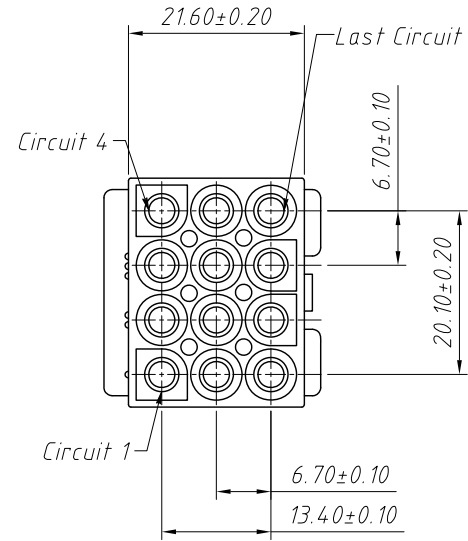
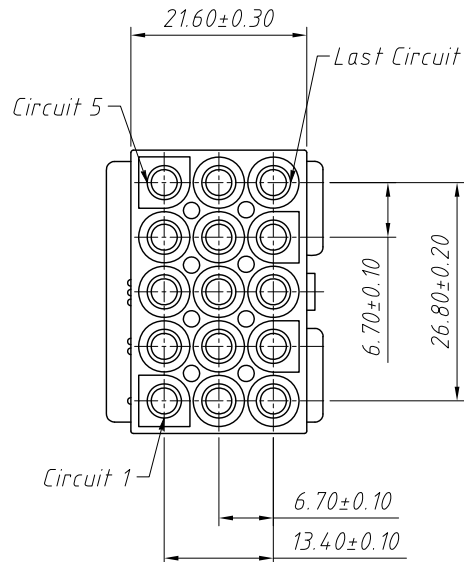
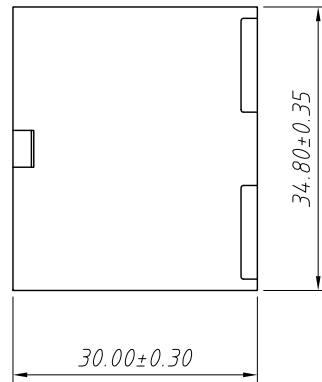
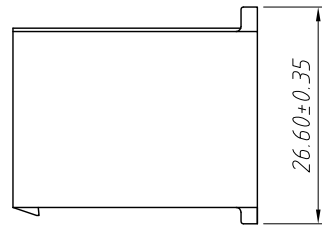
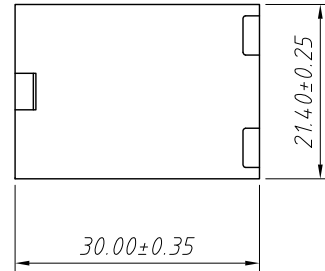
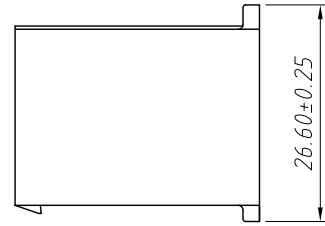
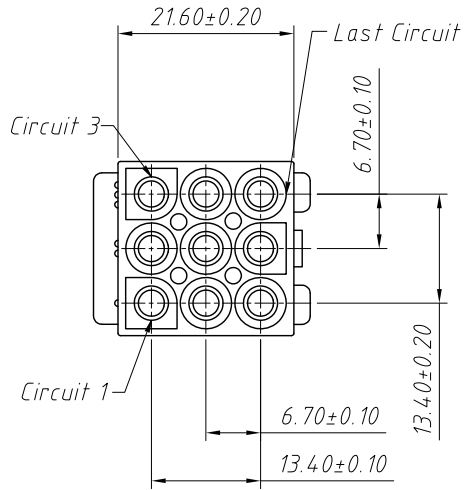
30.00±0.25



ANGLE TOLERANCE	PROJECTION		Description:	
±3°			6.70mm pitch Wire To Board Connectors	
GENERAL TOLERANCE	UNITS	mm	KLS P/N:	L-KLS1-6.70-2×03-PF
x.x ±0.30	SHEET SIZE	A4		
x.xx ±0.20	Draw:	Daniel	2021-01-11	
x.xxx ±0.10	Check:	Daniel	2021-01-11	

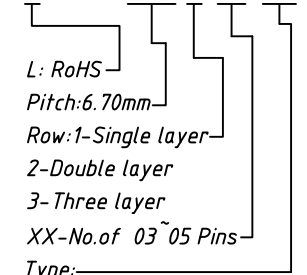
NingBo KLS ELECTRONIC CO.,L TD.

1 RoHS Compliance



Order Information:

L-KLS1-6.70-3×XX-PF



Material:

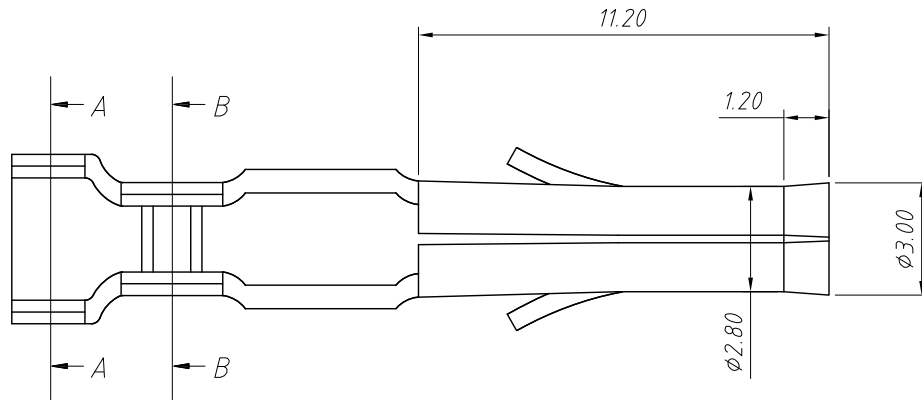
Housing:PA66,UL94 V-2,UL94 V-0
Color:Natural

Electrical Characteristics:

Rated Current:12.0AMP
Voltage rating:600V AC,DC
Temperature range:-40°C ~ + 105°C
Insulator Resistance:1000MΩ Min
Withstand Voltage:1500V AC/DC
Contact Resistance:10mΩ Max

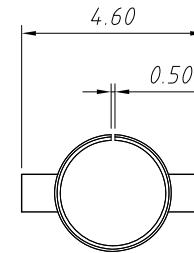
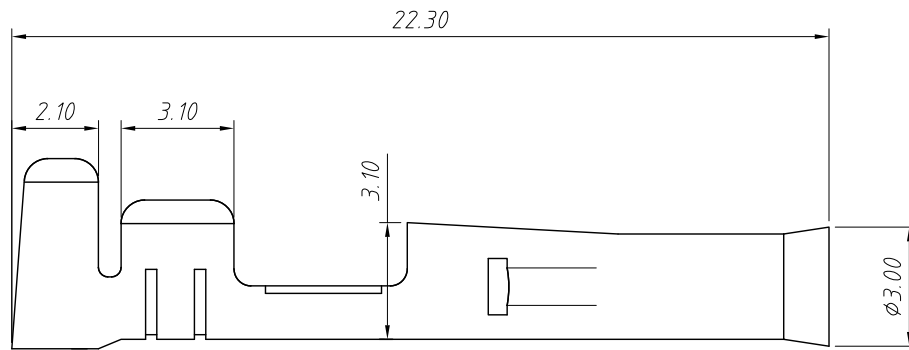
ANGLE TOLERANCE		PROJECTION		Description:	
±3°				6.70mm pitch Wire To Board Connectors	
GENERAL TOLERANCE		UNITS	mm	KLS P/N:	L-KLS1-6.70-3×XX-PF
x.x	±0.30	SHEET SIZE	A4		
x.xx	±0.20	Draw:	Daniel	2021-01-11	NingBo KLS ELECTRONIC CO.,L TD.
x.xxx	±0.10	Check:	Daniel	2021-01-11	

1
RoHS Compliance



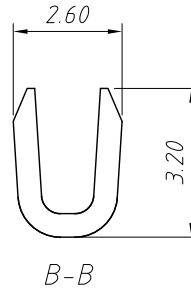
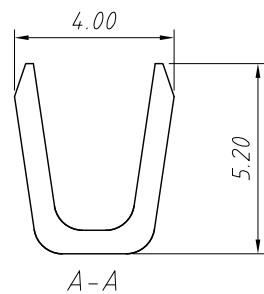
Material:
Terminal: Brass
Plating: Tin-plated.
Applicable wires: AWG #14 ~ # 24

Electrical Characteristics:
Rated Current: 12.0AMP
Voltage rating: 600V AC, DC
Temperature range: -40°C ~ + 105°C
Insulator Resistance: 1000MΩ Min
Withstand Voltage: 1500V AC/DC
Contact Resistance: 10mΩ Max



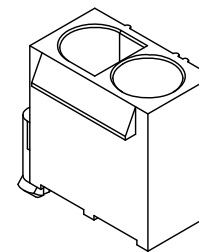
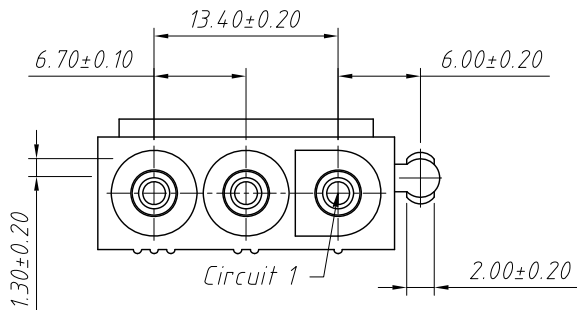
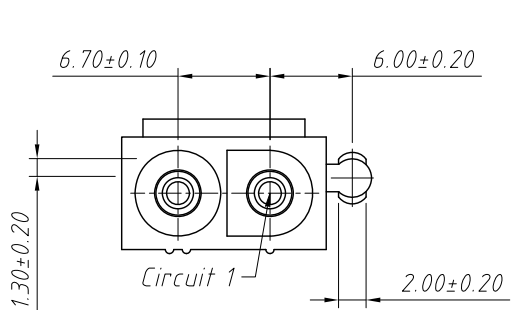
Order Information:
L-KLS1-6.70-FT

L: RoHS
Pitch: 6.70mm
Type:
R- Male Housing
P PF- Female Housing
FT- Female Terminal
MT- Male Terminal
S- Straight male pin



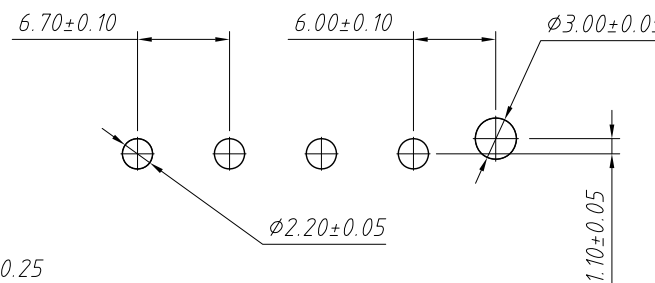
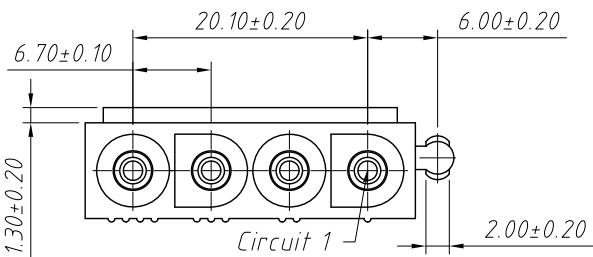
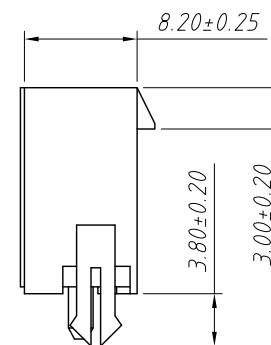
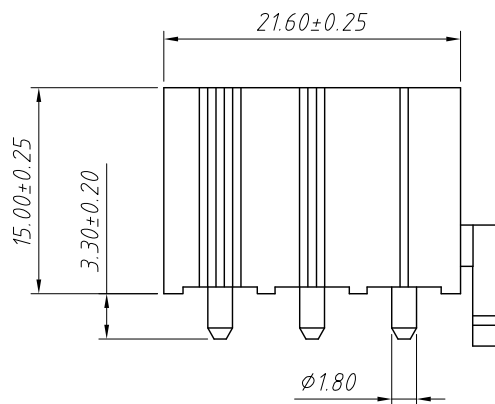
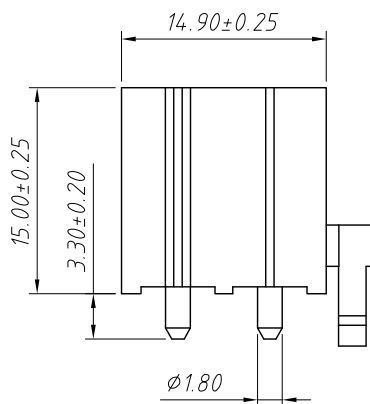
ANGLE TOLERANCE	PROJECTION	Description:		
±3°		6.70mm pitch Wire To Board Connectors		
GENERAL TOLERANCE	UNITS	mm	KLS P/N:	L-KLS1-6.70-FT
x.x ±0.30	SHEET SIZE	A4		
x.xx ±0.20	Draw:	Daniel	2021-01-11	NingBo KLS ELECTRONIC CO.,L TD.
x.xxx ±0.10	Check:	Daniel	2021-01-11	

RoHS Compliance



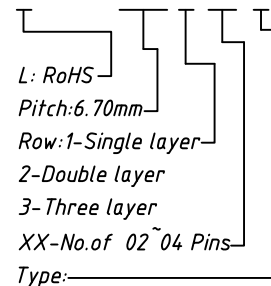
Material:
 Housing: PA66, UL 94V-2, Natural
 Contact: Brass
 Plating: Tin Plated over Nickel

Electrical Characteristics:
 Rated Current: 12.0AMP
 Voltage rating: 600V AC, DC
 Temperature range: -40°C ~ +105°C
 Insulator Resistance: 1000MΩ Min
 Withstand Voltage: 1500V AC/DC
 Contact Resistance: 10mΩ Max

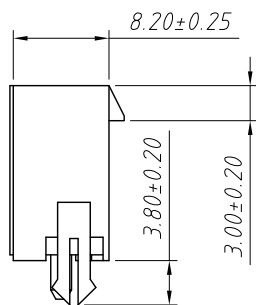
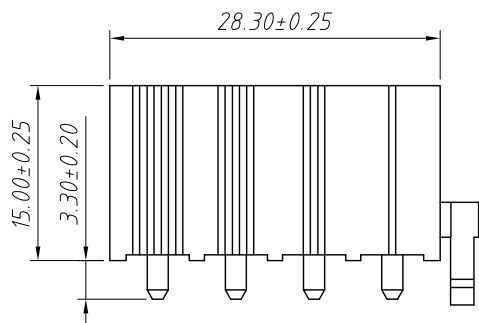


PCB LAYOUT

Order Information:
 L-KLS1-6.70-1×XX-S



Type:
 R-Male Housing
 P PF- Female Housing
 FT-Female Terminal
 MT-Male Terminal
 S-Straight male pin

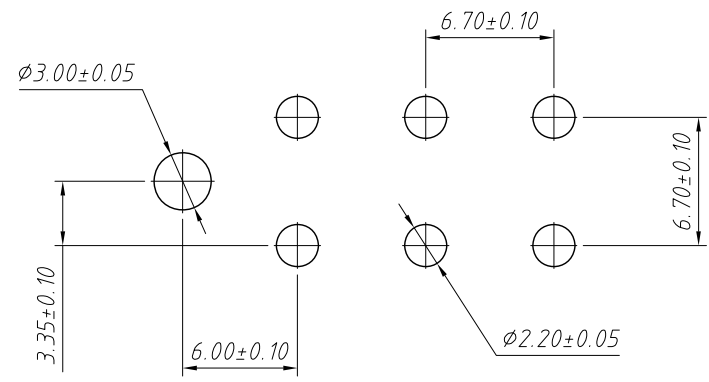
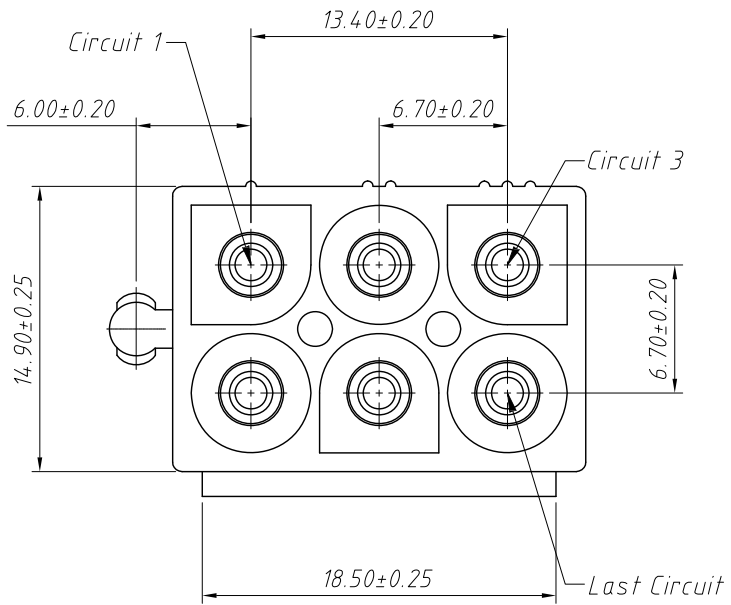


ANGLE TOLERANCE	PROJECTION	Description:
±3°		6.70mm pitch Wire To Board Connectors
GENERAL TOLERANCE	UNITS	mm
x.x ±0.30	SHEET SIZE	A4
x.xx ±0.20	Draw:	Daniel 2021-01-11
x.xxx ±0.10	Check:	Daniel 2021-01-11



NingBo KLS ELECTRONIC CO.,LTD.

1 RoHS Compliance

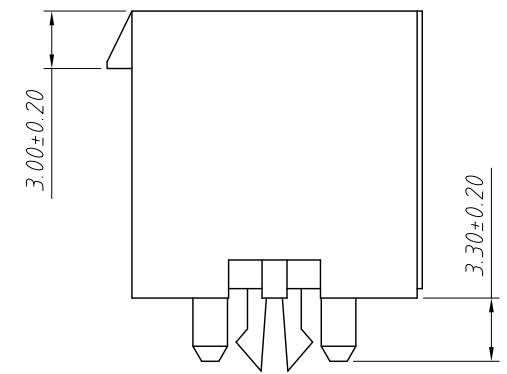
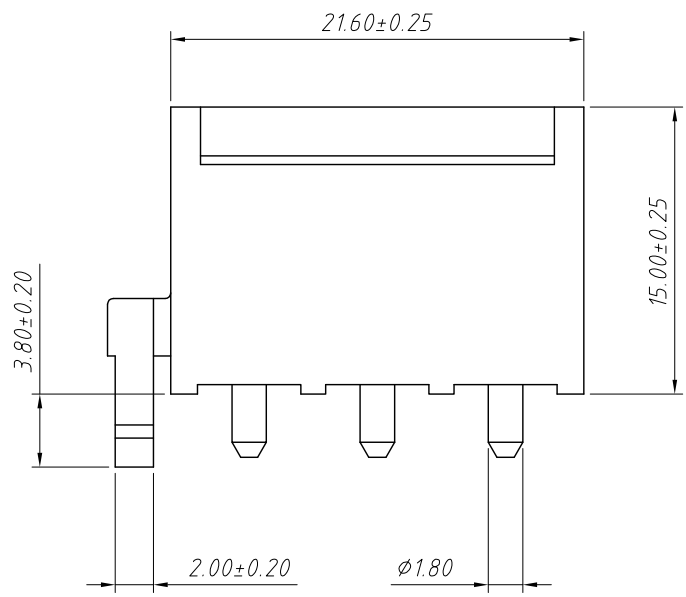
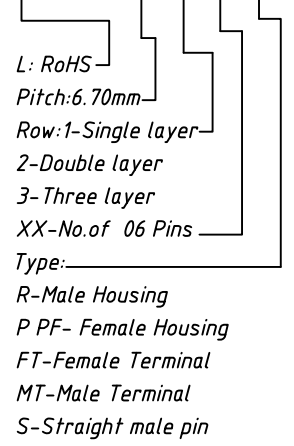


PCB LAYOUT

Material:
 Housing: PA66, UL 94 V-2, Natural
 Contact: Brass
 Plating: Tin Plated over Nickel

Electrical Characteristics:
 Rated Current: 12.0AMP
 Voltage rating: 600V AC, DC
 Temperature range: $-40^{\circ}\text{C} \sim +105^{\circ}\text{C}$
 Insulator Resistance: $1000\text{M}\Omega$ Min
 Withstand Voltage: 1500V AC/DC
 Contact Resistance: $10\text{m}\Omega$ Max

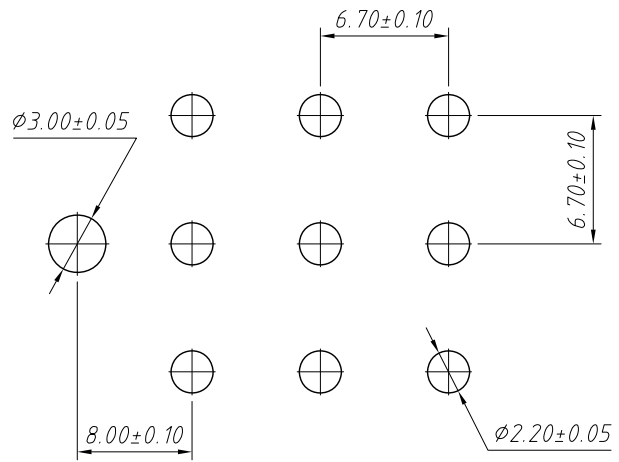
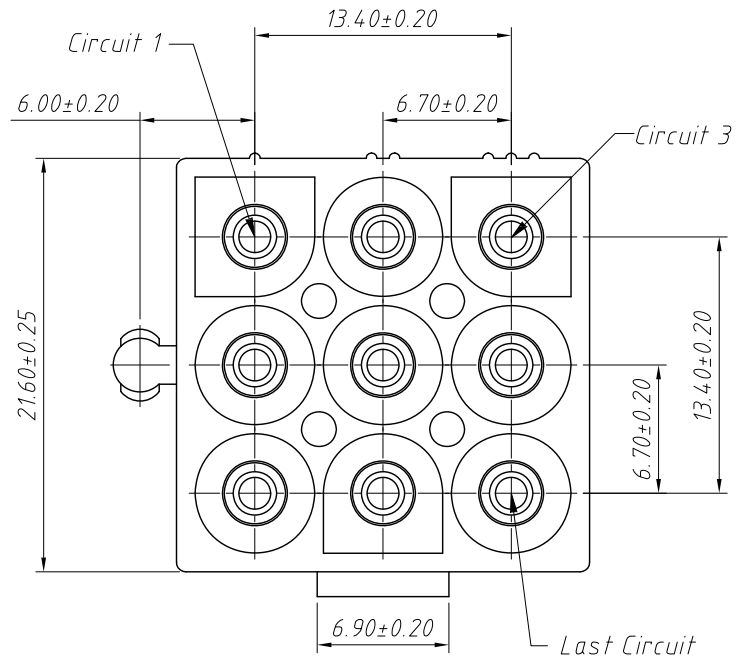
Order Information:
 L-KLS1-6.70-2×XX-S



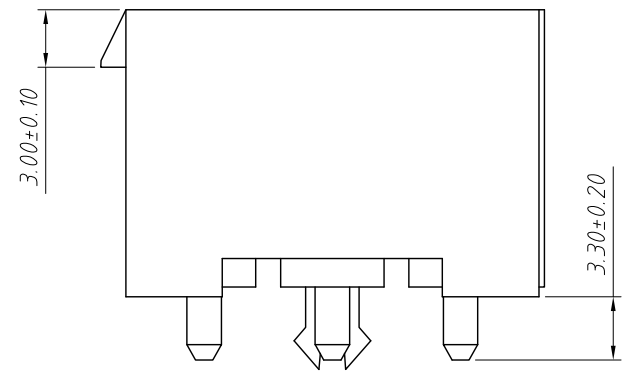
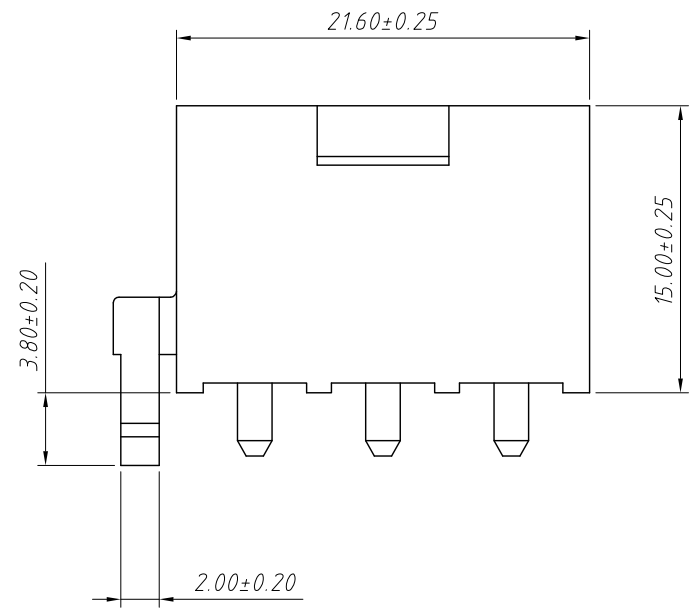
ANGLE TOLERANCE	PROJECTION	Description:
$\pm 3^{\circ}$		6.70mm pitch Wire To Board Connectors
GENERAL TOLERANCE	UNITS	mm
x.x ± 0.30	SHEET SIZE	A4
x.xx ± 0.20	Draw:	Daniel 2021-01-11
x.xxx ± 0.10	Check:	Daniel 2021-01-11

KLS NingBo KLS ELECTRONIC CO.,LTD.

1
RoHS Compliance



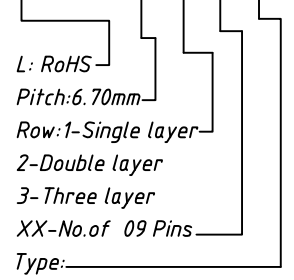
PCB LAYOUT



Material:
Housing: PA66, UL 94 V-2, Natural
Contact: Brass
Plating: Tin Plated over Nickel

Electrical Characteristics:
Rated Current: 12.0AMP
Voltage rating: 600V AC, DC
Temperature range: $-40^{\circ}\text{C} \sim +105^{\circ}\text{C}$
Insulator Resistance: $1000\text{M}\Omega$ Min
Withstand Voltage: 1500V AC/DC
Contact Resistance: $10\text{m}\Omega$ Max

Order Information:
L-KLS1-6.70-3×XX-S



ANGLE TOLERANCE	PROJECTION	Description:		
$\pm 3^{\circ}$		6.70mm pitch Wire To Board Connectors		
GENERAL TOLERANCE	UNITS	mm	KLS P/N:	L-KLS1-6.70-3×XX-S
x.x ± 0.30	SHEET SIZE	A4		
x.xx ± 0.20	Draw:	Daniel	2021-01-11	
x.xxx ± 0.10	Check:	Daniel	2021-01-11	

NingBo KLS ELECTRONIC CO.,L TD.