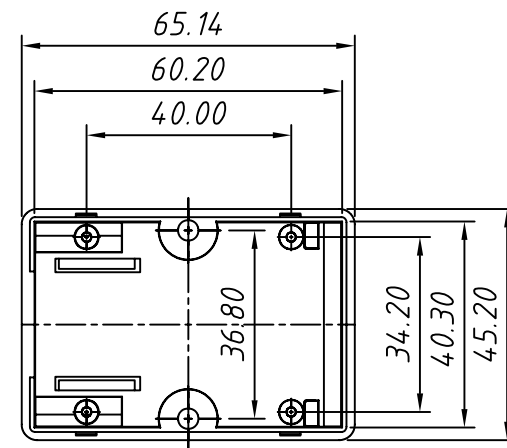
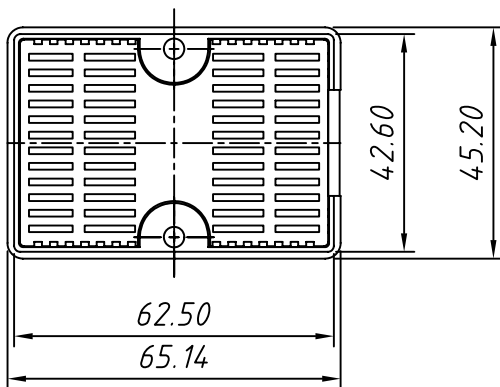
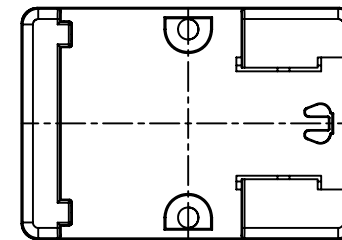
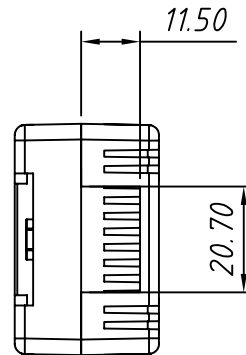
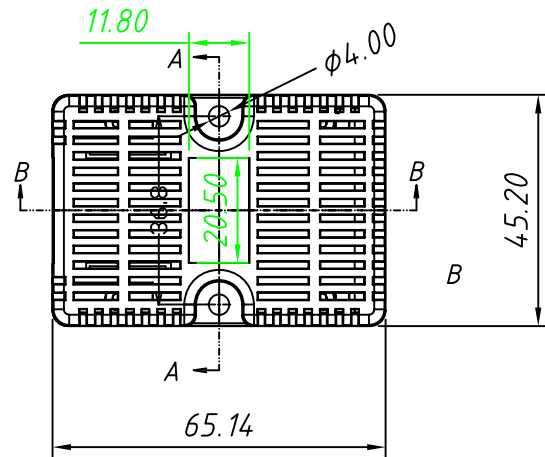
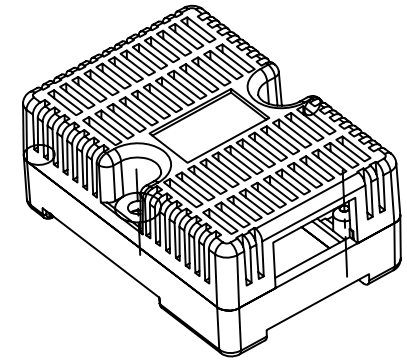


SECTION B-B



GENERAL TOLERANCE		ANGLE TOLERANCE		PROJECTION	Industrial enclosure
X	± 0.15	X	$\pm 5^\circ$	UNITS	
X	± 0.03	X	$\pm 3^\circ$	SHEET SIZE	A4
XX	± 0.05	XX	$\pm 2^\circ$	Cover	KLS P/N: L-KLS24-DR09

Draw by:	Date:	2018-10-10
Check by:	Date:	2018-10-10
SCALE	SHEET	1 OF 1

KLS NingBo KLS ELECTRONIC CO.,LTD.