

1 2 3 4 5 6 7 8

A

B

C

D

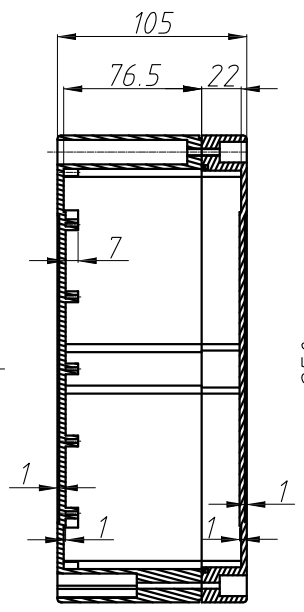
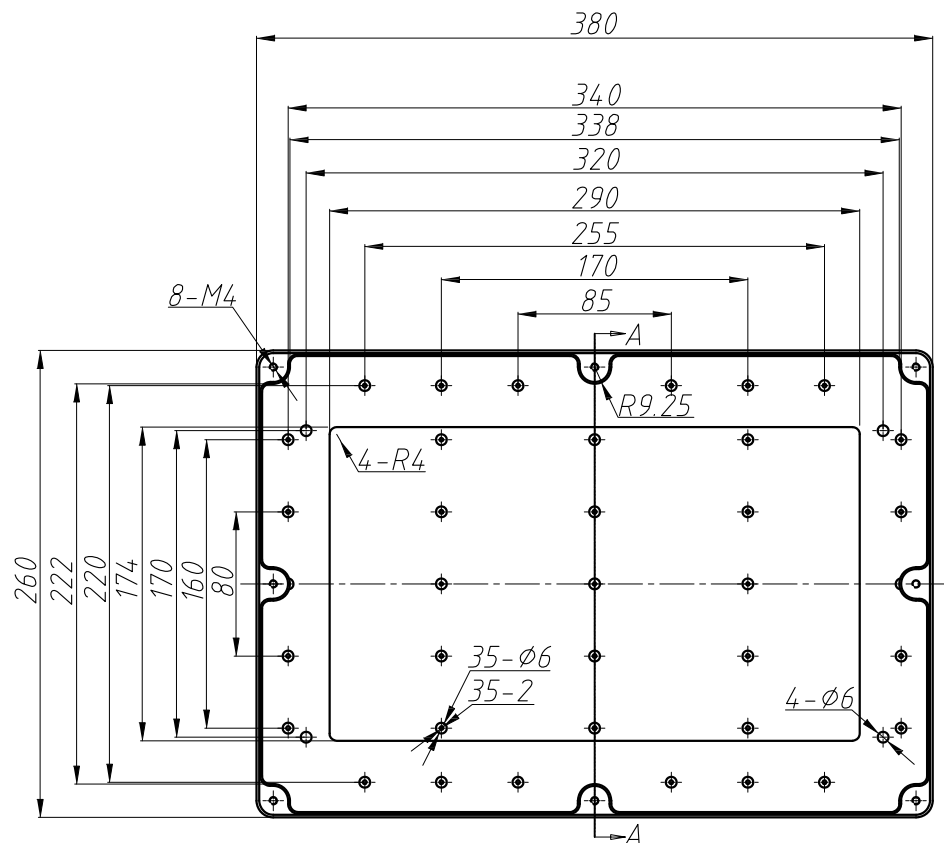
E

F

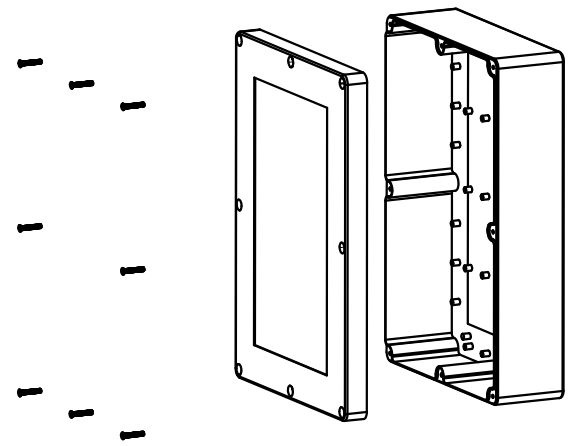
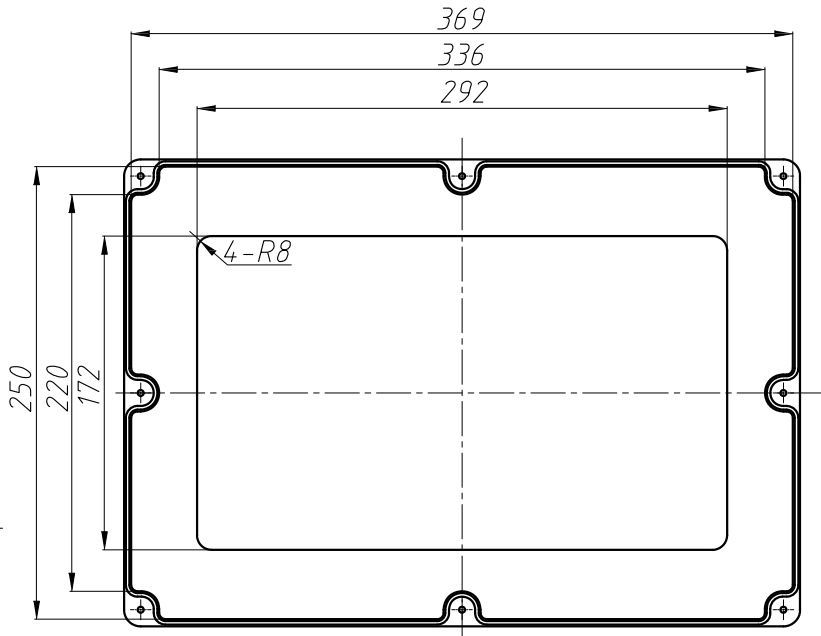
G

H

1 2 3 4 5 6 7 8



A-A



Standard accessories

Name	PCS	Material	Colour
Cover	1	ABS	Beige
Base	1	ABS	Beige
Sealing strip	1	Silicon rubber	White
Screw	8	Stainless steel	Metal color

GENERAL TOLERANCE	ANGLE TOLERANCE	PROJECTION	 mm A4 KLS P/N:	IP65 Plastic Waterproof Box Size:380x260x105mm L-KLS24-PWP342
X ±0.15	X ±5°	UNITS		
.X ±0.03	.X ±3°	SHEET SIZE		
.XX ±0.05	.XX ±2°			
Draw by: Date	2018-03-10			 NingBo KLS ELECTRONIC CO.,L TD.
Check by: Date	2018-03-10			
SCALE	SHEET	1	OF	1