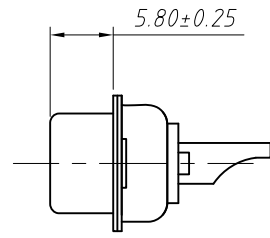
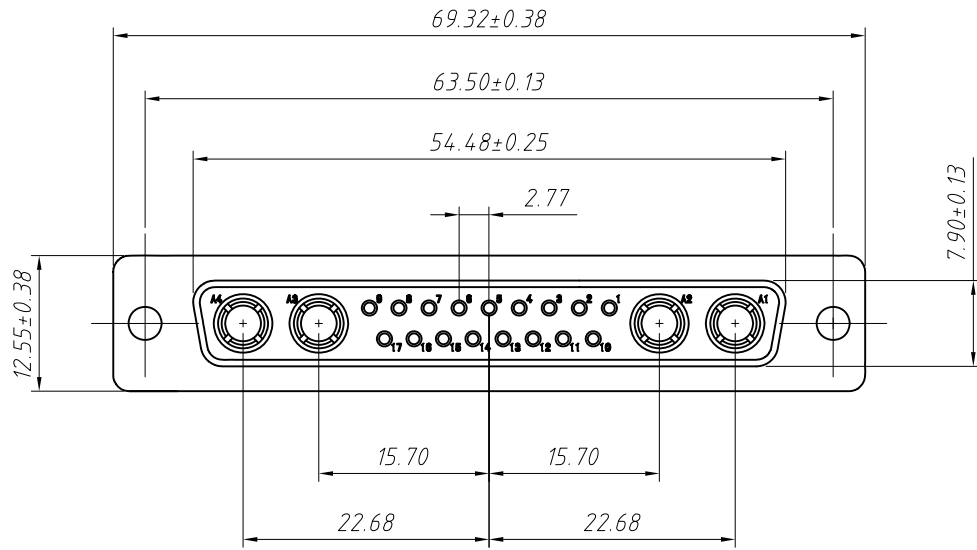
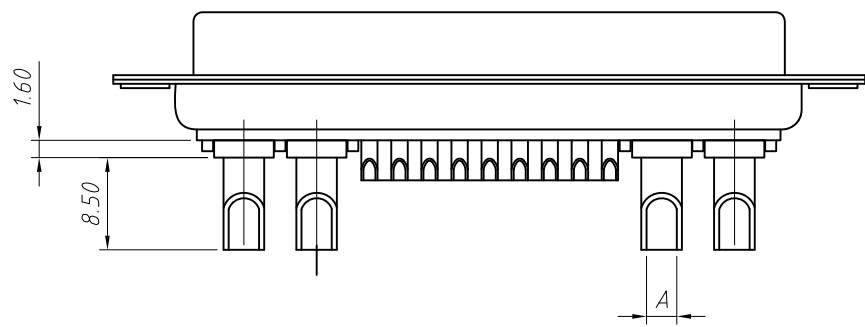


1 RoHS Compliance



Materials And Finish:
 Shell: Steel Material, Tin Finished
 Connector Insulator: PBT Thermoplastic, 30% Glass Filled, UL 94V-0 Rated . Black Color
 Signal Contact Material: Brass, Full Gold Flash
 High Power Contact Material: Brass 1u" Gold Plated

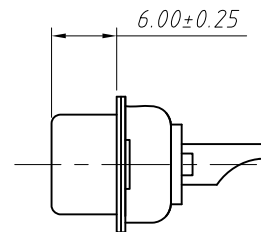
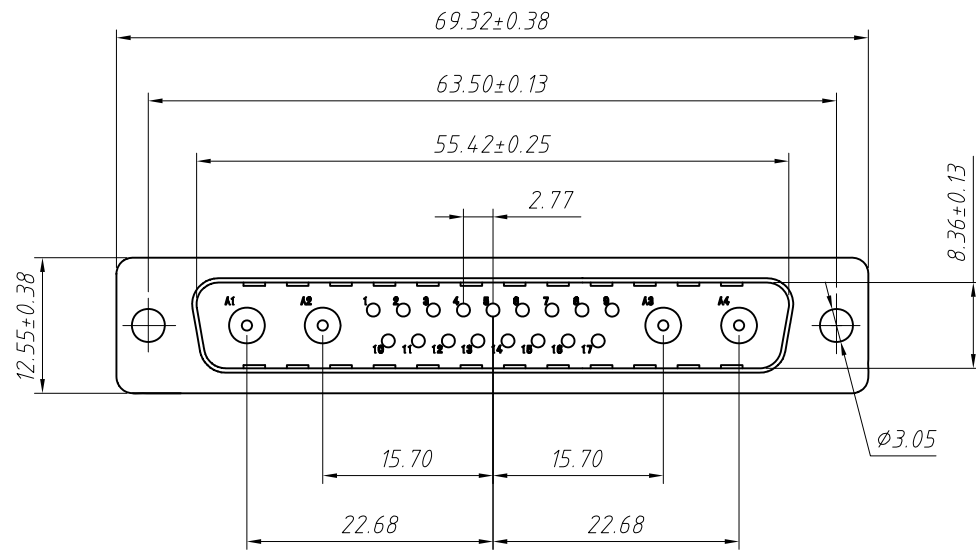
Electrical Characteristics
 High Power Contact Current Rating: 10, 20 or 40 AMPS
 High Power Contact Resistance: 2.7mΩ Max
 Dielectric Withstanding Voltage: 1000V AC For 1 Minute
 Insulation Resistance: 5000MΩ Min
 Temperature Rating : -55°C - + 125°C



Current Rating	Dimension
	φA
40 AMPS	φ4.50
30 AMPS	φ3.30
20 AMPS	φ2.80
10 AMPS	φ1.70

ANGLE TOLERANCE	PROJECTION	Description:	D-SUB CONNECTOR	
±3°		(Power Contact Straight Solder Machined Pin)		
GENERAL TOLERANCE	UNITS	mm	KLS P/N:	L-KLS1-BIG14-21W4-F-40A-1U
x.x ±0.30	SHEET SIZE	A4		
x.xx ±0.20	Draw:	Daniel	2018-07-10	NingBo KLS ELECTRONIC CO.,L TD.
x.xxx ±0.10	Check:	Daniel	2018-07-10	

1
RoHS Compliance

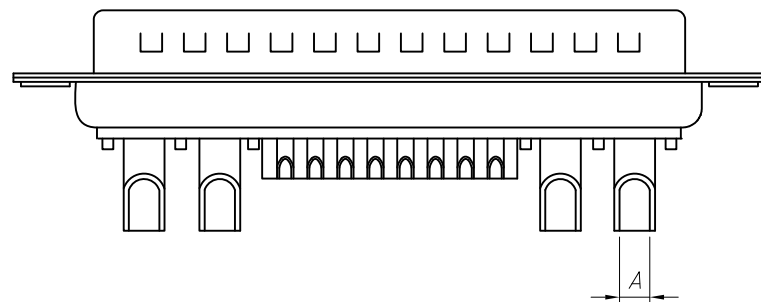


Materials And Finish:

Shell: Steel Material, Tin Finished Dimples On Plug Only
 Connector Insulator: PBT Thermoplastic, 30% Glass Filled, UL 94V-0 Rated . Black Color
 Signal Contact Material: Brass, Full Gold Flash
 High Power Contact Material: Brass 1u" Gold Plated

Electrical Characteristics

High Power Contact Current Rating: 10, 20 or 40 AMPS
 High Power Contact Resistance: 2.7mΩ Max
 Dielectric Withstanding Voltage: 1000V AC For 1 Minute
 Insulation Resistance: 5000MΩ Min
 Temperature Rating : -55°C - + 125°C



Current Rating	Dimension
	φA
40 AMPS	φ3.75
30 AMPS	φ3.20
20 AMPS	φ2.80
10 AMPS	φ1.70

ANGLE TOLERANCE	PROJECTION	Description:	D-SUB CONNECTOR	
±3°		(Power Contact Straight Solder Machined Pin)		
GENERAL TOLERANCE	UNITS	mm	KLS P/N:	L-KLS1-BIG14-21W4-M-40A-1U
x.x ±0.30	SHEET SIZE	A4		
x.xx ±0.20	Draw:	Daniel	2018-07-10	
x.xxx ±0.10	Check:	Daniel	2018-07-10	

NingBo KLS ELECTRONIC CO.,L TD.