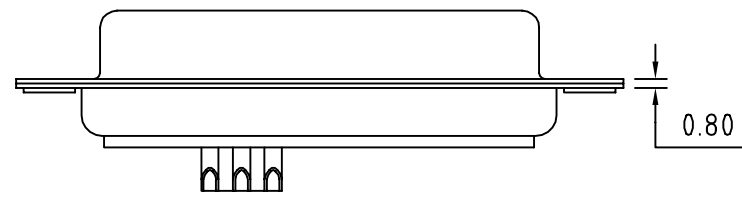
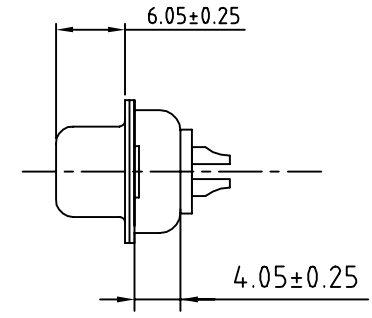
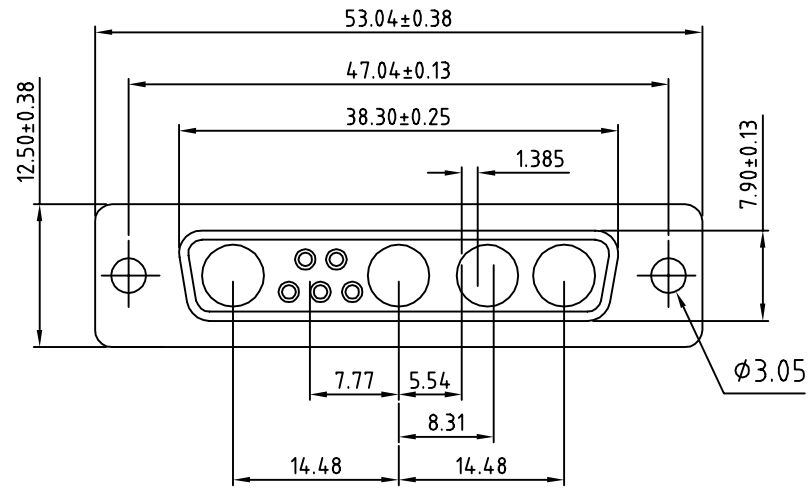


ROHS COMPLIANT

REV.	DESCRIPTION	DATE	ECN NO.
01	NEW DRAWING	2019/05/18	-



Current Rating	Dimension
	Ø A
40 AMPS	Ø3.75


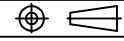
REMARKS:

1.MATERIALS AND FINISH

SHELL : STEEL MATERIAL, FRONT-NICKEL PLATING;BACK-TIN PLATING
 CONNECTOR INSULATOR : PBT THERMOPLASTIC,
 30% GLASS FILLED, UL 94V-0 RATED,
 HIGH CURRENT CONTACT MATERIAL: BRASS

2.ELECTRICAL CHARACTERISTICS

HIGH POWER CONTACT CURRENT RATING : 40 AMPS
 HIGH POWER CONTACT RESISTANCE : 2.7 MILLIOHMS MAX.
 DIELECTRIC WITHSTANDING VOLTAGE :
 1000 V AC FOR 1 MINUTE
 INSULATION RESISTANCE : 5000 MEGAOHMS MIN.
 TEMPERATURE RATING : -55°C ~ +125°C

DRAWN:	JEFF.ZHOU	2019.05.18	 NINGBO KLS ELECTRONIC CO; LTD <small>WWW.KLSELE.COM</small>
CHECKED:	KEVIN.JIN	2019.05.18	
APPROVED:	JINGUO.YANG	2019.05.18	
 Sheet 1 of 1	Code 000	TITLE: 9W4_HIGH CURRENT CONNECTOR,SOLDER TYPE	
Dimensions in mm(inches)		Scale 1:1	
TOLERANCE UNLESS SPECIFIED: .XX ± 0.13		Angles:±2°	REV. 01 L-KLS1-BIG07B-9W4-F-40A-1U