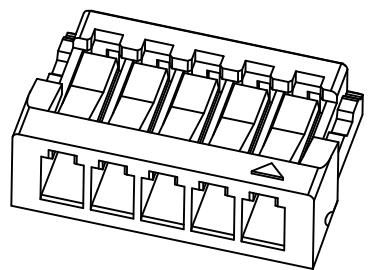
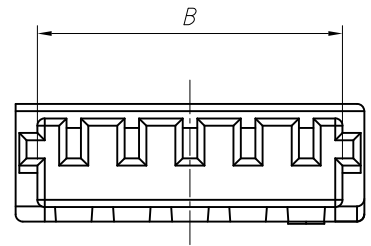
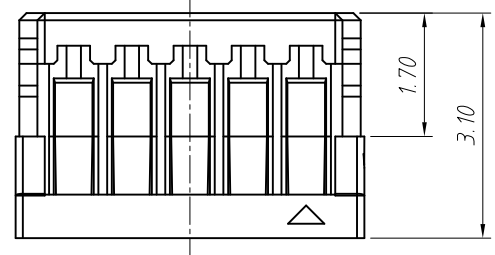


1
RoHS Compliance



3D View

Circuit	Dimensions(mm)		
	A	B	C
02	0.80	1.80	2.40
03	1.60	2.60	3.20
04	2.40	3.40	4.00
05	3.20	4.20	4.80
06	4.00	5.00	5.60
07	4.80	5.80	6.40
08	5.60	6.60	7.20
09	6.40	7.40	8.00
10	7.20	8.20	8.80
11	8.00	9.00	9.60
12	8.80	9.80	10.40
13	9.60	10.60	11.20
14	10.40	11.40	12.00
15	11.20	12.20	12.80
16	12.00	13.00	13.60
20	15.20	16.20	16.80

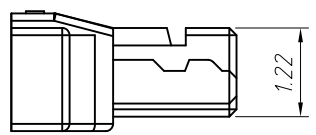
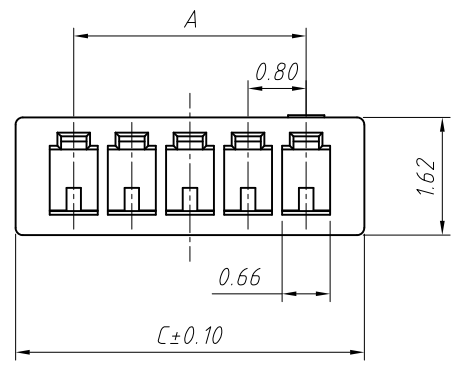


Material:
Housing: Nylon or LCP, UL 94V-0

Electrical Characteristics:
Current rating: 0.5A AC, DC
Voltage rating: 30V AC, DC
Temperature range: -35°C ~ +85°C
Insulation resistance: 100MΩ/Min.
Withstanding voltage: 200V AC/minute
Contact resistance: 20mΩ/Max.

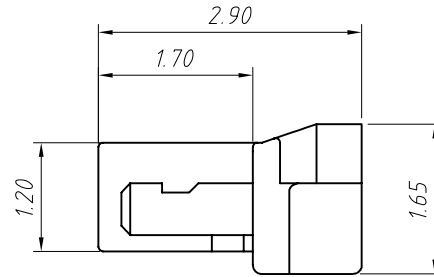
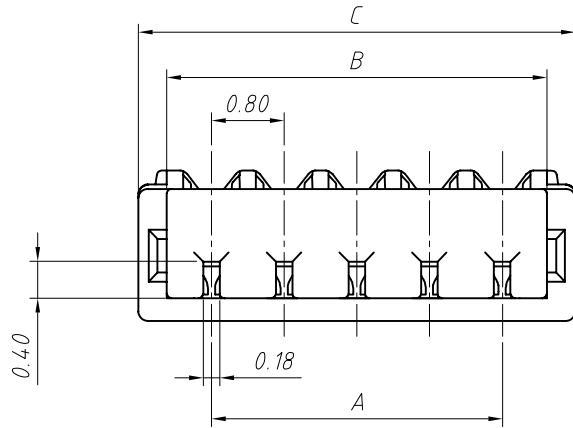
Order Information:
L-KLS1-XL1-0.80-XX-H

L: RoHS
0.80mm Pitch
XX-No. of 2~20pin
Type: H-Housing T-Terminal
VM-Vertical SMT Pin
RM-Horizontal SMT Pin



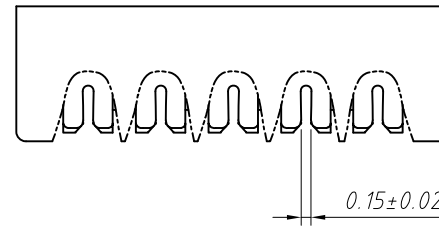
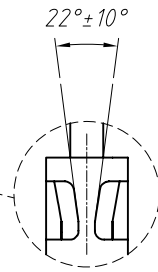
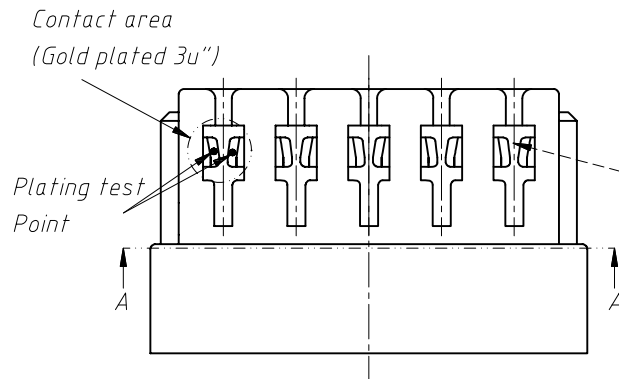
ANGLE TOLERANCE	PROJECTION	Description:	0.80mm Pitch JST SUR Wire to board connector
±3°			
GENERAL TOLERANCE	UNITS	mm	L-KLS1-XL1-0.80-XX-H
x.x ±0.30	SHEET SIZE	A4	NingBo KLS ELECTRONIC CO.,L TD.
x.xx ±0.20	Draw:	Daniel 2020-11-11	
x.xxx ±0.10	Check:	Daniel 2020-11-11	

RoHS Compliance

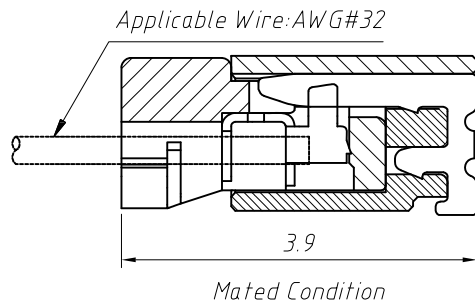


Material:
 Housing: Nylon66,UL 94V-0
 Contact : Phosphor Bronze
 Plating : Plated Tin or Gold Flash Lead over Nickel
 Applicable Wire Range:AWG#32

Electrical Characteristics:
 Current rating:0.5A AC,DC
 Voltage rating:30V AC,DC
 Temperature range:-35°C ~ +85°C
 Insulationresistance:100MΩ/Min.
 Withstanding voltage:200V AC/minute
 Contact resistance:20mΩ/Max.



Circuit	Dimensions(mm)		
	A	B	C
02	0.80	1.78	2.40
03	1.60	2.58	3.20
04	2.40	3.38	4.00
05	3.20	4.18	4.80
06	4.00	4.98	5.60
07	4.80	5.78	6.40
08	5.60	6.58	7.20
09	6.40	7.38	8.00
10	7.20	8.18	8.80
11	8.00	8.98	9.60
12	8.80	9.78	10.40
13	9.60	10.58	11.20
14	10.40	11.38	12.00
15	11.20	12.18	12.80
16	12.00	12.98	13.60
17	12.80	13.78	14.40
18	13.60	14.58	15.20
19	14.40	15.38	16.00
20	15.20	16.18	16.80



Order Information:

L-KLS1-XL1-0.80-XX-H1

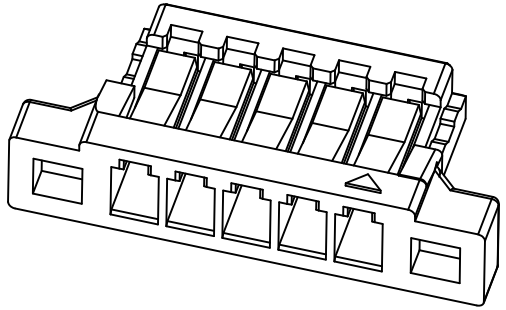
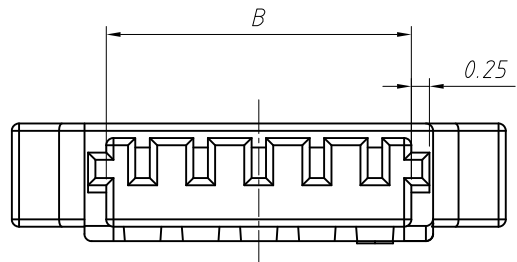
L: RoHS
 0.80mm Pitch
 XX-No.of 2~20pin
 Type:H1-Hosing T-Terminal
 VM-Vertical SMT Pin
 RM-Horizontal SMT Pin

ANGLE TOLERANCE	PROJECTION	Description:	
±3°		0.80mm Pitch JST SUR Wire to board connector	
GENERAL TOLERANCE	UNITS	mm	KLS P/N:
x.x ±0.30	SHEET SIZE	A4	L-KLS1-XL1-0.80-XX-H1
x.xx ±0.20	Draw:	Daniel	2020-11-11
x.xxx ±0.10	Check:	Daniel	2020-11-11



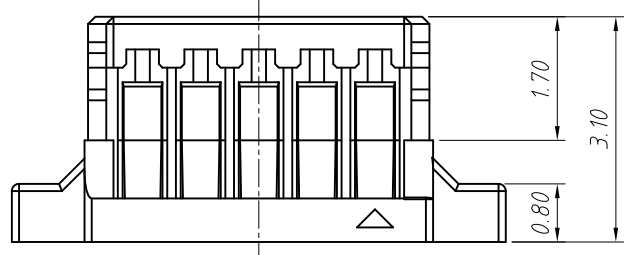
NingBo KLS ELECTRONIC CO.,L TD.

1
RoHS Compliance



3D View

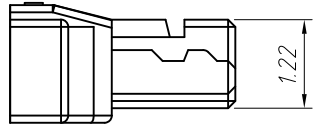
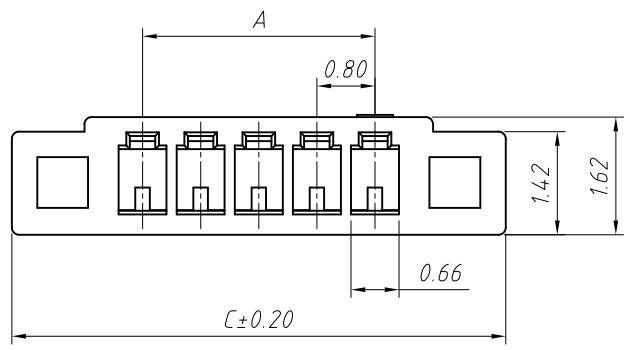
Circuit	Dimensions(mm)		
	A	B	C
02	0.80	1.80	4.40
03	1.60	2.60	5.20
04	2.40	3.40	6.00
05	3.20	4.20	6.80
06	4.00	5.00	7.60
07	4.80	5.80	8.40
08	5.60	6.60	9.20
09	6.40	7.40	10.00
10	7.20	8.20	10.80
11	8.00	9.00	11.60
12	8.80	9.80	12.40
13	9.60	10.60	13.20
14	10.40	11.40	14.00
15	11.20	12.20	14.80
16	12.00	13.00	15.60
20	15.20	16.20	18.80



Material:
Housing: Nylon or LCP,UL 94V-0

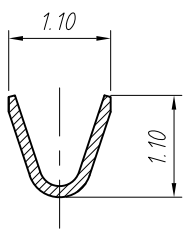
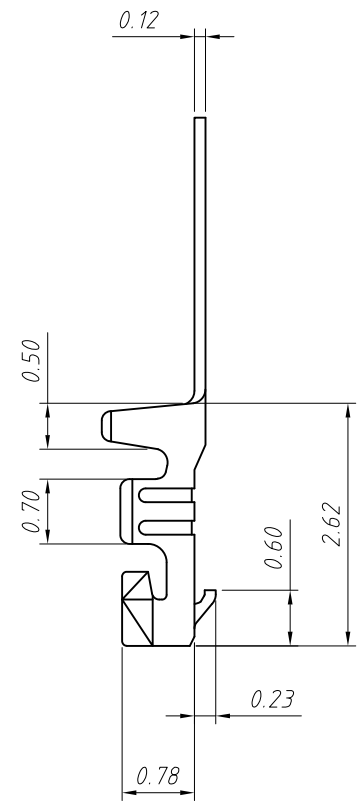
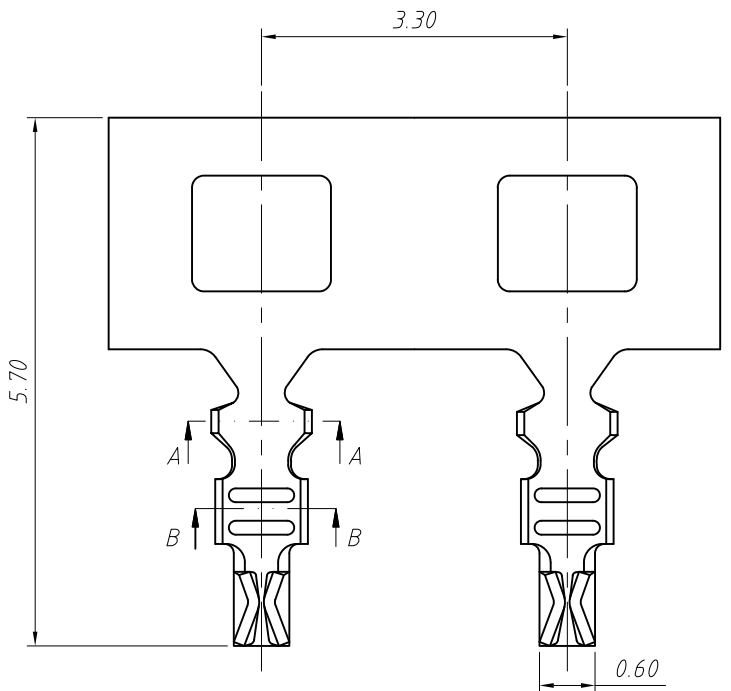
Electrical Characteristics:
Current rating:0.5A AC,DC
Voltage rating:30V AC,DC
Temperature range:-35°C~+85°C
Insulation resistance:100MΩ/Min.
Withstanding voltage:200V AC/minute
Contact resistance:20mΩ/Max.

Order Information:
L-KLS1-XL1-0.80-XX-H2
L: RoHS
0.80mm Pitch
XX-No. of 2~20pin
Type:H2-Hosing T-Terminal
VM-Vertical SMT Pin
RM-Horizontal SMT Pin

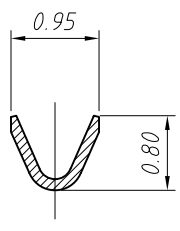


ANGLE TOLERANCE	PROJECTION	Description:	0.80mm Pitch JST SUR Wire to board connector
±3°			
GENERAL TOLERANCE	UNITS	mm	L-KLS1-XL1-0.80-XX-H2
x.x ±0.30	SHEET SIZE	A4	
x.xx ±0.20	Draw:	Daniel	NingBo KLS ELECTRONIC CO.,L TD.
x.xxx ±0.10	Check:	Daniel	

1
RoHS Compliance



Section A-A



Section B-B

Circuit	Dimensions(mm)			
	A	B	C	D
02	0.80	1.90	3.78	3.04
03	1.60	2.70	4.58	3.84
04	2.40	3.50	5.38	4.64
05	3.20	4.30	6.18	5.44
06	4.00	5.10	6.98	6.24
07	4.80	5.90	7.78	7.04
08	5.60	6.70	8.58	7.84
09	6.40	7.50	9.38	8.64
10	7.20	8.30	10.18	9.44
11	8.00	9.10	10.98	10.24
12	8.80	9.90	11.78	11.04
13	9.60	10.70	12.58	11.84
14	10.40	11.50	13.38	12.64
15	11.20	12.30	14.18	13.44
16	12.00	13.10	14.98	14.24
17	12.80	13.90	15.78	15.04
18	13.60	14.70	16.58	15.84
19	14.40	15.50	17.38	16.64
20	15.20	16.30	18.18	17.44

Material:
Terminal: Phosphor Bronze
Finish: Plated Tin or Gold Flash
Lead over Nickel
Applicable Wire Range: AWG#32

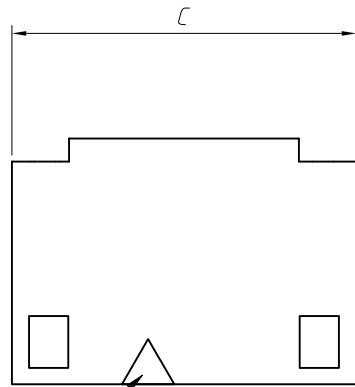
Electrical Characteristics:
Current rating: 1.5A AC, DC
Voltage rating: 50V AC, DC
Temperature range: -25°C ~ +85°C
Insulation resistance: 100MΩ/Min.
Withstanding voltage: 500V AC/minute
Contact resistance: 20mΩ/Max.

Order Information:
L-KLS1-XL1-0.80-T

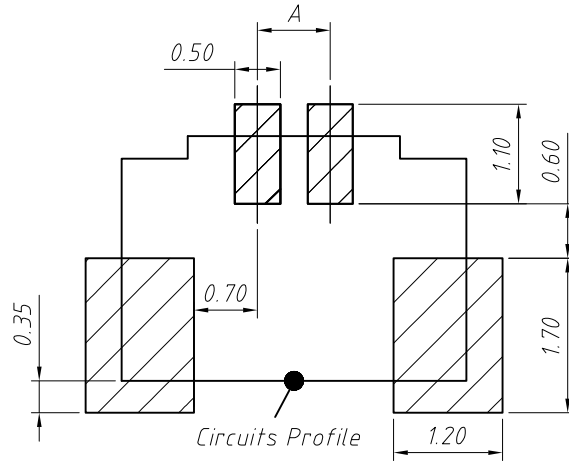
L: RoHS
0.80mm Pitch
Type: H-Hosing T-Terminal

ANGLE TOLERANCE	PROJECTION	Description:	0.80mm Pitch JST SUR Wire to board connector
±3°			
GENERAL TOLERANCE	UNITS	mm	KLS P/N:
x.x ±0.30	SHEET SIZE	A4	L-KLS1-XL1-0.80-T
x.xx ±0.20	Draw:	Daniel	NingBo KLS ELECTRONIC CO.,L TD.
x.xxx ±0.10	Check:	Daniel	

RoHS Compliance



CKT1 MARK



Circuits Profile
Recommended P.C.B Layout
Total tolerance ±0.05mm

Order Information:

L-KLS1-XL1-0.80-XX-RM

L: RoHS

0.80mm Pitch

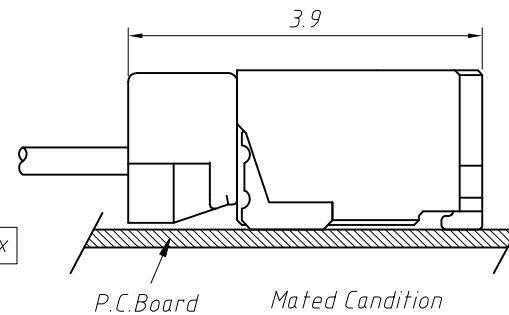
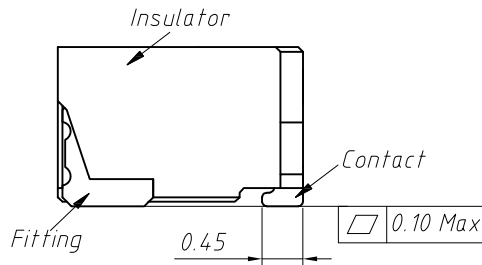
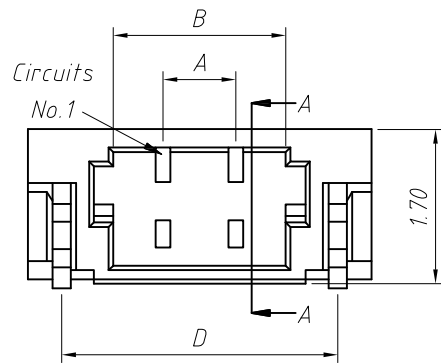
XX-No. of 2 ~ 20pin

Type:H-Hosing T-Terminal

VM-Vertical SMT Pin

RM-Horizontal SMT Pin

Circuit	Dimensions(mm)			
	A	B	C	D
02	0.80	1.90	3.78	3.04
03	1.60	2.70	4.58	3.84
04	2.40	3.50	5.38	4.64
05	3.20	4.30	6.18	5.44
06	4.00	5.10	6.98	6.24
07	4.80	5.90	7.78	7.04
08	5.60	6.70	8.58	7.84
09	6.40	7.50	9.38	8.64
10	7.20	8.30	10.18	9.44
11	8.00	9.10	10.98	10.24
12	8.80	9.90	11.78	11.04
13	9.60	10.70	12.58	11.84
14	10.40	11.50	13.38	12.64
15	11.20	12.30	14.18	13.44
16	12.00	13.10	14.98	14.24
17	12.80	13.90	15.78	15.04
18	13.60	14.70	16.58	15.84
19	14.40	15.50	17.38	16.64
20	15.20	16.30	18.18	17.44



Material:

Housing: Nylon or LCP,UL 94V-0

Terminal: Phosphor Bronze

Finish:Plated Tin or Gold Flash

Lead over Nickel

Electrical Characteristics:

Current rating:0.5A AC,DC

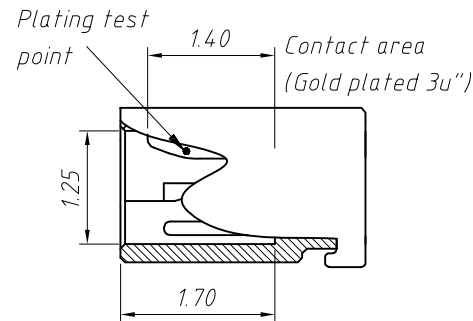
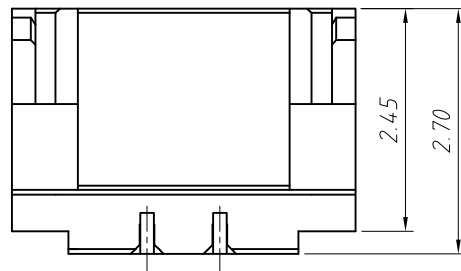
Voltage rating:30V AC,DC

Temperature range:-35°C ~ +85°C

Insulation resistance:100MΩ/Min.

Withstanding voltage:200V AC/minute

Contact resistance:20mΩ/Max.



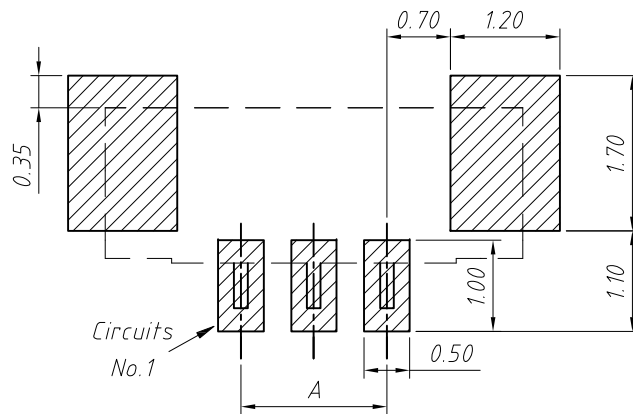
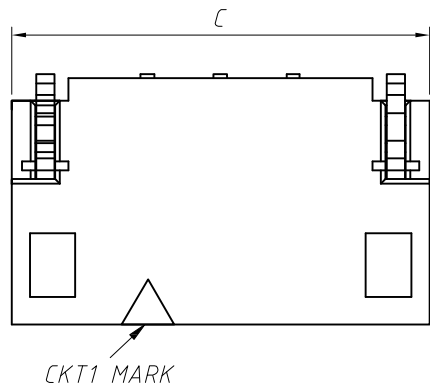
Section A-A

ANGLE TOLERANCE	PROJECTION	Description:
±3°		0.80mm Pitch JST SUR Wire to board connector
GENERAL TOLERANCE	UNITS	mm
x.x ±0.30	SHEET SIZE	A4
x.xx ±0.20	Draw:	Daniel 2020-11-11
x.xxx ±0.10	Check:	Daniel 2020-11-11

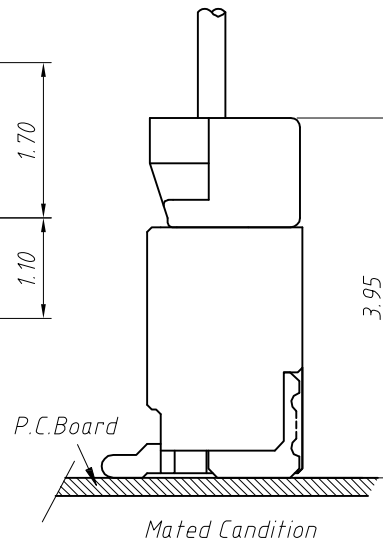


NingBo KLS ELECTRONIC CO.,L TD.

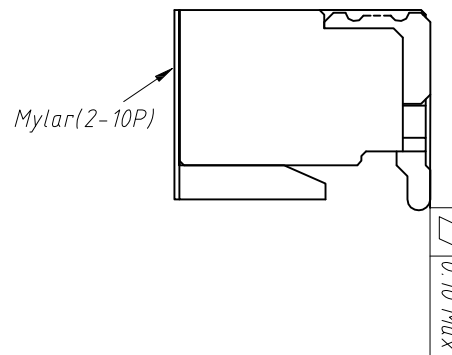
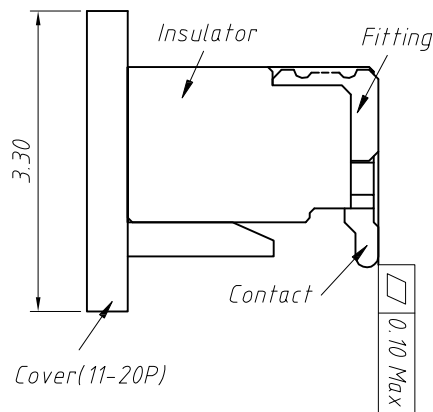
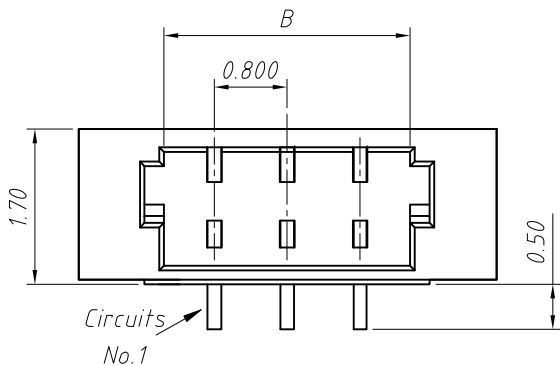
RoHS Compliance



Recommended P.C.B Layout
Total tolerance $\pm 0.05\text{mm}$

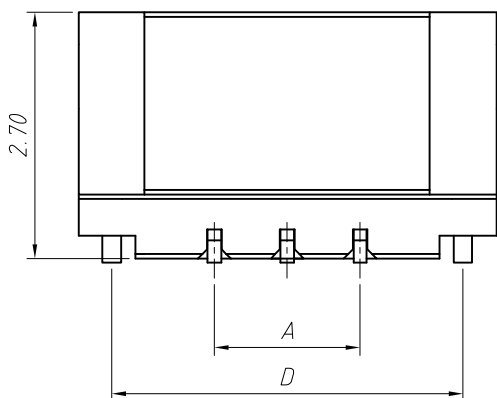


Circuit	Dimensions(mm)			
	A	B	C	D
02	0.80	1.90	3.78	3.04
03	1.60	2.70	4.58	3.84
04	2.40	3.50	5.38	4.64
05	3.20	4.30	6.18	5.44
06	4.00	5.10	6.98	6.24
07	4.80	5.90	7.78	7.04
08	5.60	6.70	8.58	7.84
09	6.40	7.50	9.38	8.64
10	7.20	8.30	10.18	9.44
11	8.00	9.10	10.98	10.24
12	8.80	9.90	11.78	11.04
13	9.60	10.70	12.58	11.84
14	10.40	11.50	13.38	12.64
15	11.20	12.30	14.18	13.44
16	12.00	13.10	14.98	14.24
17	12.80	13.90	15.78	15.04
18	13.60	14.70	16.58	15.84
19	14.40	15.50	17.38	16.64
20	15.20	16.30	18.18	17.44



Material:
Housing: Nylon or LCP, UL 94V-0
Terminal: Phosphor Bronze
Finish: Plated Tin or Gold Flash
Lead over Nickel

Electrical Characteristics:
Current rating: 0.5A AC, DC
Voltage rating: 30V AC, DC
Temperature range: $-35^{\circ}\text{C} \sim +85^{\circ}\text{C}$
Insulation resistance: 100M Ω /Min.
Withstanding voltage: 200V AC/minute
Contact resistance: 20m Ω /Max.



Order Information:
L-KLS1-XL1-0.80-XX-VM

L: RoHS
0.80mm Pitch
XX-No. of 2~20pin
Type: H-Hosing T-Terminal
VM-Vertical SMT Pin
RM-Horizontal SMT Pin

ANGLE TOLERANCE	PROJECTION	Description:
$\pm 3^{\circ}$		0.80mm Pitch JST SUR Wire to board connector
GENERAL TOLERANCE	UNITS	mm
x.x ± 0.30	SHEET SIZE	A4
x.xx ± 0.20	Draw:	Daniel 2020-11-11
x.xxx ± 0.10	Check:	Daniel 2020-11-11



NingBo KLS ELECTRONIC CO., L TD.