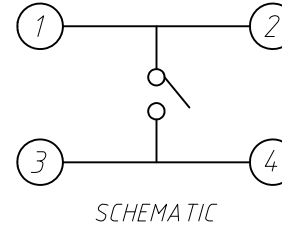
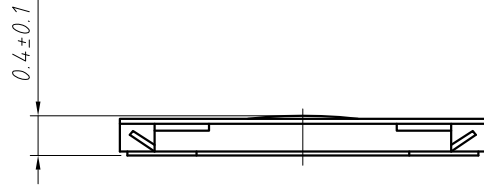
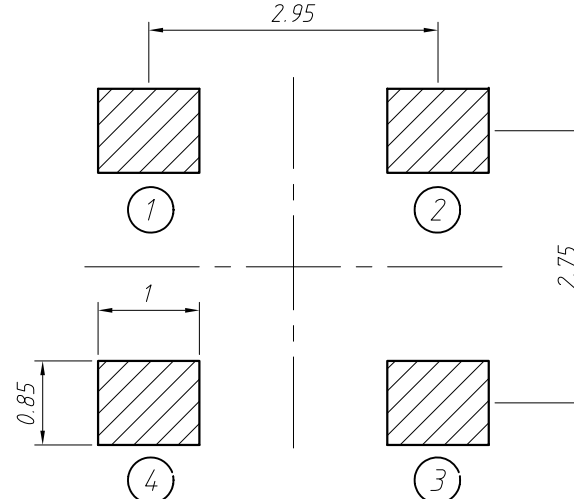
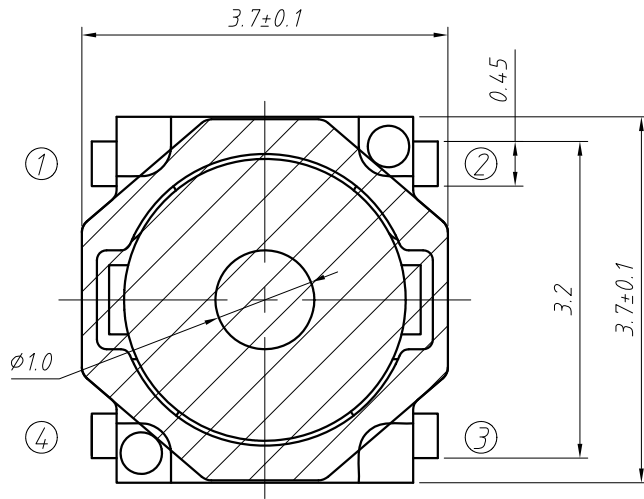


1 RoHS Compliance



Materials:
 A.Cards:Phosphor 0.05
 B.Pedestal:LCP,Black
 C.Shrapnel:Stainless steel
 D:Dust Film:0.05

Electrical:
 Rating:50mA 12V DC
 Contact Resistance:200mΩ Max.
 Insulation Resistance:100MΩ Min
 Dielectric voltage proof:250V AC for 1min
 Operating Force:160~260 ±50gf
 Environment temperature:-30° C ~ +80° C
 Electrically Life:100000 cycles Min.

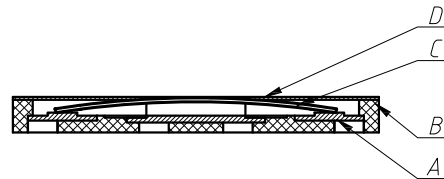


Installation diagram

Order Information:

L-KLS7-TS3737-0.35-160-B

L: RoHS
 Size:3.7×3.7mm
 Height:0.35mm
 Operating Force:
 160~260(±50gf)
 Packing:B-Bulk



ANGLE TOLERANCE	PROJECTION	Description:	
±3°			3.7x3.7mm Tact Switch (U Type)
GENERAL TOLERANCE	UNITS	mm	KLS P/N: L-KLS7-TS3737-0.35-160-B
x.x ±0.30	SHEET SIZE	A4	NingBo KLS ELECTRONIC CO.,L TD.
x.xx ±0.20	Draw:	Daniel 2020-11-11	
x.xxx ±0.10	Check:	Daniel 2020-11-11	