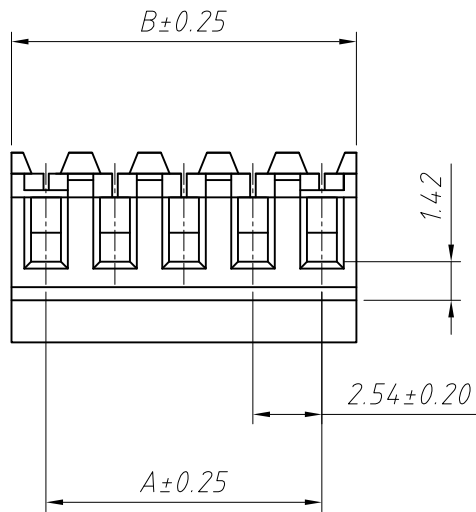


1
RoHS Compliance



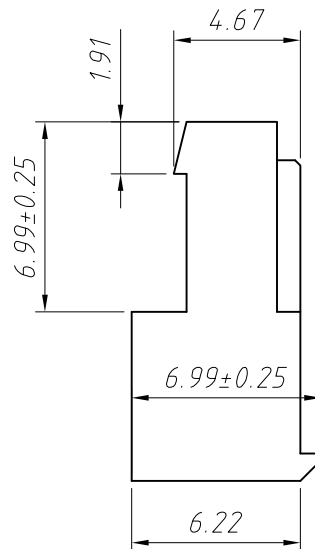
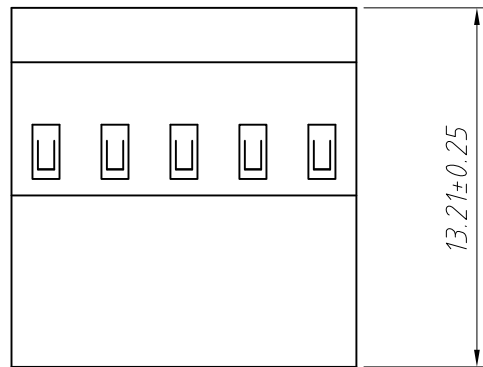
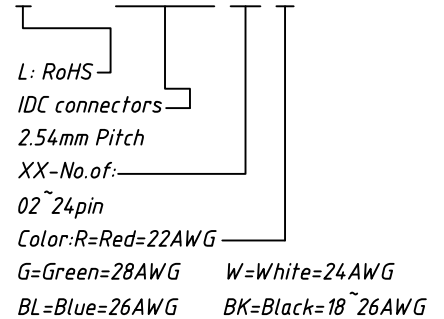
Pin	Dimension mm		Pin	Dimension mm	
	A	B		A	B
02	2.54	5.08	14	33.02	35.56
03	5.08	7.62	15	35.56	38.10
04	7.62	10.16	16	38.10	40.64
05	10.16	12.70	17	40.64	43.18
06	12.70	15.24	18	43.18	45.72
07	15.24	17.78	19	45.72	48.26
08	17.78	20.32	20	48.26	50.80
09	20.32	22.86	21	50.80	53.34
10	22.86	25.40	22	53.34	55.88
11	25.40	27.91	23	55.88	58.42
12	27.94	30.48	24	58.42	60.96
13	30.48	33.02			

Material:
Housing: PA66 UL94V-2
Contacts: Phosphor bronze
Plating: Tin 50u" over 100u" nickel

Electrical Specification:
Rated Voltage: 250V AC/DC
Rated Current: 3A
Contact Resistance: 20mΩ max
Insulation Resistance: 1000MΩ min
Withstand voltage: 1500V AC/MIN
Temperature range for usage: -40°C ~ +105°C

Order Information:

L-KLS1-MA-2.54-XX-R

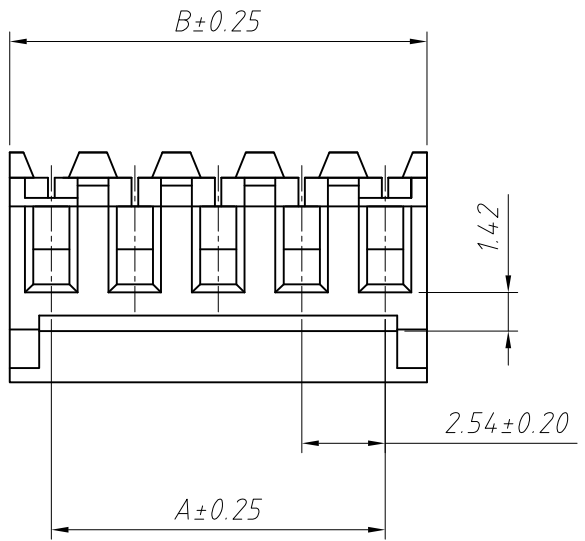


ANGLE TOLERANCE	PROJECTION	Description:
$\pm 3^\circ$		2.54mm AMP IDC Connector
GENERAL TOLERANCE	UNITS	mm
x.x ± 0.30	SHEET SIZE	A4
x.xx ± 0.20	Draw:	Daniel 2018-07-10
x.xxx ± 0.10	Check:	Daniel 2018-07-10

L-KLS1-MA-2.54-XX-R

NingBo KLS ELECTRONIC CO.,L TD.

1
RoHS Compliance



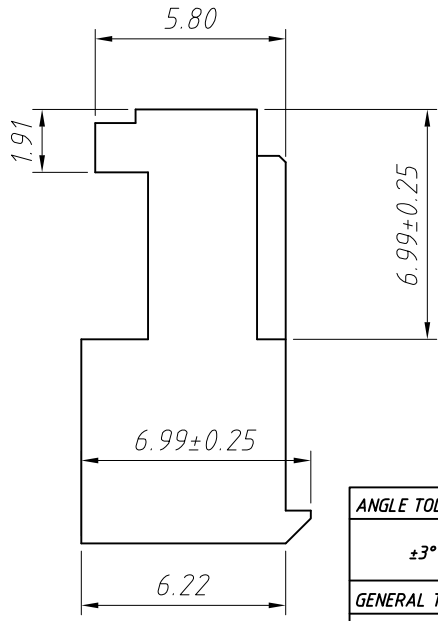
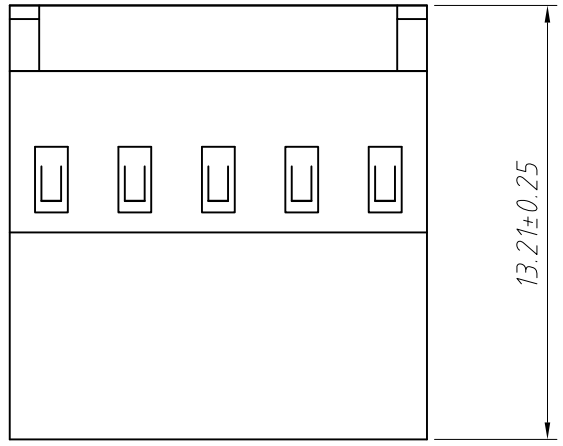
Pin	Dimension mm		Pin	Dimension mm	
	A	B		A	B
02	2.54	5.08	14	33.02	35.56
03	5.08	7.62	15	35.56	38.10
04	7.62	10.16	16	38.10	40.64
05	10.16	12.70	17	40.64	43.18
06	12.70	15.24	18	43.18	45.72
07	15.24	17.78	19	45.72	48.26
08	17.78	20.32	20	48.26	50.80
09	20.32	22.86	21	50.80	53.34
10	22.86	25.40	22	53.34	55.88
11	25.40	27.91	23	55.88	58.42
12	27.94	30.48	24	58.42	60.96
13	30.48	33.02			

Material:
Housing: PA66 UL94V-2
Contacts: Phosphor bronze
Plating: Tin 50u" over 100u" nickel

Electrical Specification:
Rated Voltage: 250V AC/DC
Rated Current: 3A
Contact Resistance: 20mΩ max
Insulation Resistance: 1000MΩ min
Withstand voltage: 1500V AC/MIN
Temperature range for usage : -40°C ~ +105°C

Order Information:
L-KLS1-MB-2.54-XX-R

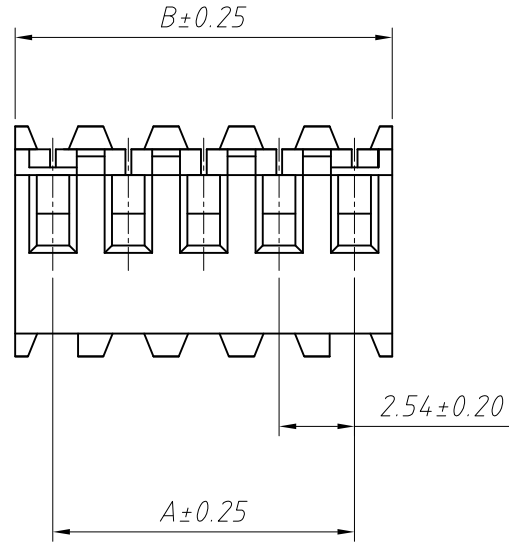
L: RoHS
IDC connectors
2.54mm Pitch
XX-No.of:
02~24pin
Color: R=Red=22AWG
G=Green=28AWG W=White=24AWG
BL=Blue=26AWG BK=Black=18~26AWG



ANGLE TOLERANCE	PROJECTION	Description:	2.54mm AMP IDC Connector	
$\pm 3^\circ$				
GENERAL TOLERANCE	UNITS	mm	KLS P/N:	L-KLS1-MB-2.54-XX-R
x.x ± 0.30	SHEET SIZE	A4		
x.xx ± 0.20	Draw:	Daniel	2018-07-10	
x.xxx ± 0.10	Check:	Daniel	2018-07-10	

NingBo KLS ELECTRONIC CO.,L TD.

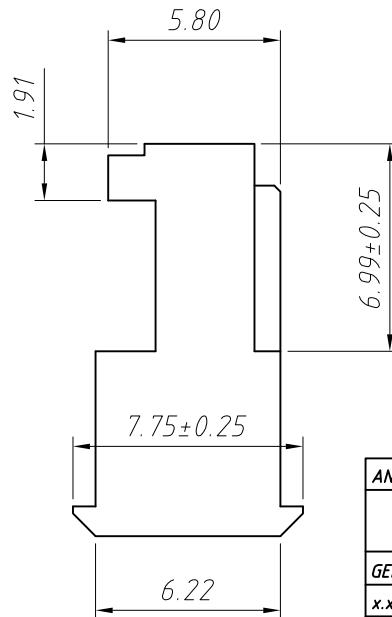
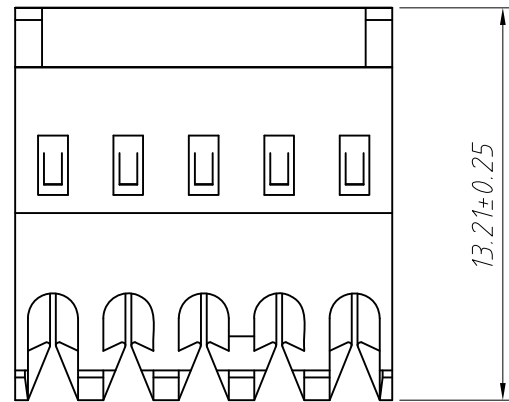
1 RoHS Compliance



Pin	Dimension mm		Pin	Dimension mm	
	A	B		A	B
02	2.54	5.08	14	33.02	35.56
03	5.08	7.62	15	35.56	38.10
04	7.62	10.16	16	38.10	40.64
05	10.16	12.70	17	40.64	43.18
06	12.70	15.24	18	43.18	45.72
07	15.24	17.78	19	45.72	48.26
08	17.78	20.32	20	48.26	50.80
09	20.32	22.86	21	50.80	53.34
10	22.86	25.40	22	53.34	55.88
11	25.40	27.91	23	55.88	58.42
12	27.94	30.48	24	58.42	60.96
13	30.48	33.02			

Material:
Housing: PA66 UL94V-2
Contacts: Phosphor bronze
Plating: Tin 50u" over 100u" nickel

Electrical Specification:
Rated Voltage: 250V AC/DC
Rated Current: 3A
Contact Resistance: 20mΩ max
Insulation Resistance: 1000MΩ min
Withstand voltage: 1500V AC/MIN
Temperature range for usage : -40°C ~ +105°C



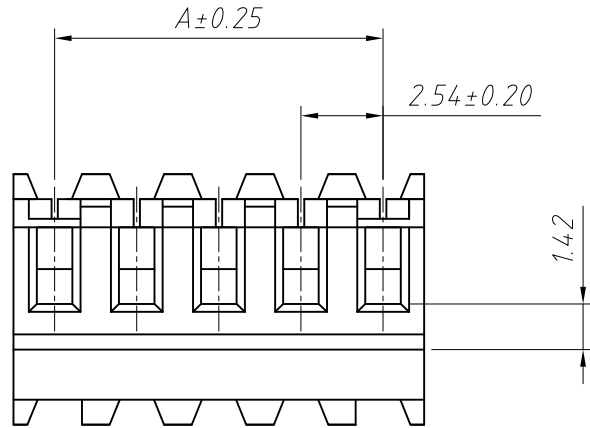
Order Information:
L-KLS1-MR-2.54-XX-R

L: RoHS
IDC connectors
2.54mm Pitch
XX-No.of:
02~24pin
Color: R=Red=22AWG
G=Green=28AWG W=White=24AWG
BL=Blue=26AWG BK=Black=18~26AWG

ANGLE TOLERANCE	PROJECTION	Description:		
±3°		2.54mm AMP IDC Connector		
GENERAL TOLERANCE	UNITS	mm	KLS P/N:	L-KLS1-MR-2.54-XX-R
x.x ±0.30	SHEET SIZE	A4		
x.xx ±0.20	Draw:	Daniel	2018-07-10	
x.xxx ±0.10	Check:	Daniel	2018-07-10	

NingBo KLS ELECTRONIC CO.,L TD.

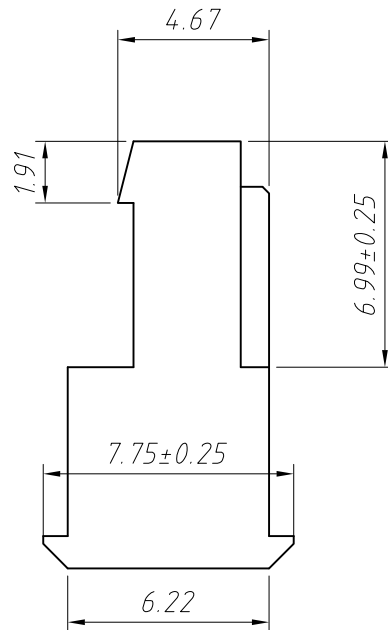
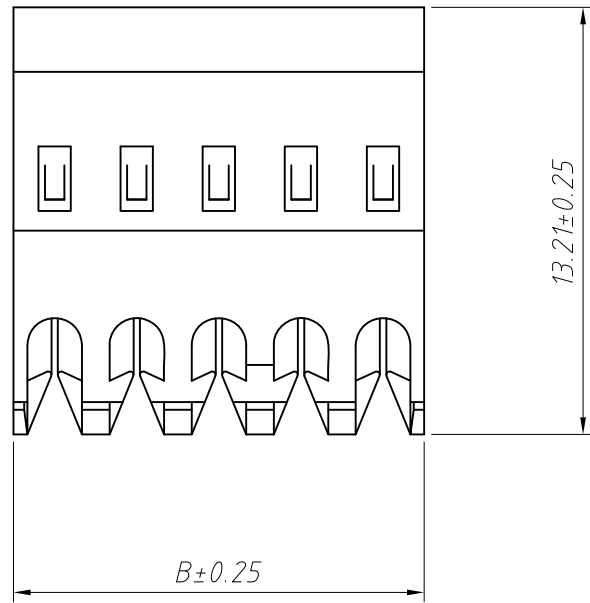
1
RoHS Compliance



Pin	Dimension mm		Pin	Dimension mm	
	A	B		A	B
02	2.54	5.08	14	33.02	35.56
03	5.08	7.62	15	35.56	38.10
04	7.62	10.16	16	38.10	40.64
05	10.16	12.70	17	40.64	43.18
06	12.70	15.24	18	43.18	45.72
07	15.24	17.78	19	45.72	48.26
08	17.78	20.32	20	48.26	50.80
09	20.32	22.86	21	50.80	53.34
10	22.86	25.40	22	53.34	55.88
11	25.40	27.91	23	55.88	58.42
12	27.94	30.48	24	58.42	60.96
13	30.48	33.02			

Material:
Housing: PA66 UL94V-2
Contacts: Phosphor bronze
Plating: Tin 50u" over 100u" nickel

Electrical Specification:
Rated Voltage: 250V AC/DC
Rated Current: 3A
Contact Resistance: 20mΩ max
Insulation Resistance: 1000MΩ min
Withstand voltage: 1500V AC/MIN
Temperature range for usage: -40°C ~ +105°C

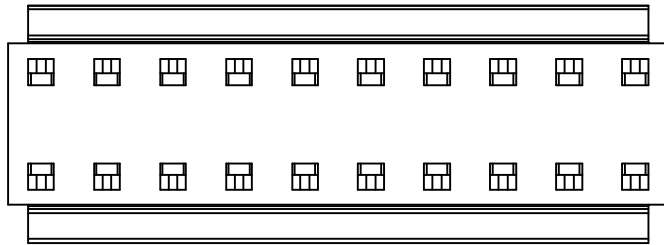


Order Information:
L-KLS1-MT-2.54-XX-R
L: RoHS
IDC connectors
2.54mm Pitch
XX-No. of:
02 ~ 24pin
Color: R=Red=22AWG
G=Green=28AWG W=White=24AWG
BL=Blue=26AWG BK=Black=18 ~ 26AWG

ANGLE TOLERANCE	PROJECTION	Description:	
±3°		2.54mm AMP IDC Connector	
GENERAL TOLERANCE	UNITS	mm	KLS P/N:
x.x ±0.30	SHEET SIZE	A4	L-KLS1-MT-2.54-XX-R
x.xx ±0.20	Draw:	Daniel	2018-07-10
x.xxx ±0.10	Check:	Daniel	2018-07-10



1
RoHS Compliance

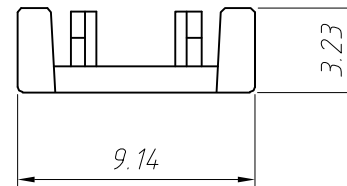
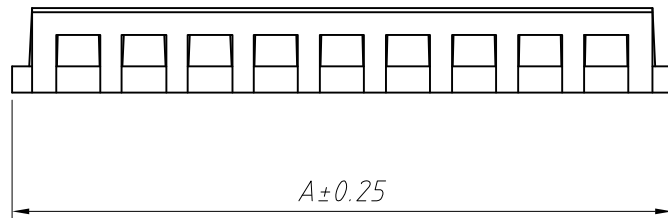
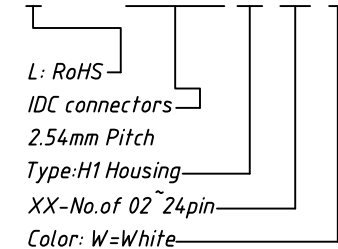


Pin	Dimension mm	Pin	Dimension mm
	A		A
02	5.08	14	35.56
03	7.62	15	38.10
04	10.16	16	40.64
05	12.70	17	43.18
06	15.24	18	45.72
07	17.78	19	48.26
08	20.32	20	50.80
09	22.86	21	53.34
10	25.40	22	55.88
11	27.91	23	58.42
12	30.48	24	60.96
13	33.02		

Material:
Housing: Nylon66, UL94V-0
Color: White

Electrical Specification:
Rated Voltage: 250V AC/DC
Rated Current: 3A
Contact Resistance: 20mΩ max
Insulation Resistance: 1000MΩ min
Withstand voltage: 1500V AC/MIN
Temperature range for usage : -40°C ~ +105°C

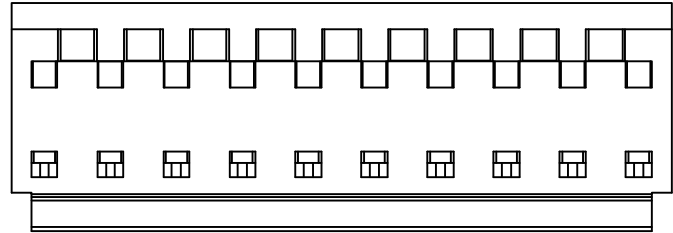
Order Information:
L-KLS1-MT-2.54-H1-XX-W



ANGLE TOLERANCE		PROJECTION		Description:	
±3°				2.54mm AMP IDC Connector	
GENERAL TOLERANCE		UNITS	mm	KLS P/N:	
x.x	±0.30	SHEET SIZE	A4	L-KLS1-MT-2.54-H1-XX-W	
x.xx	±0.20	Draw:	Daniel	2018-07-10	
x.xxx	±0.10	Check:	Daniel	2018-07-10	

NingBo KLS ELECTRONIC CO.,L TD.

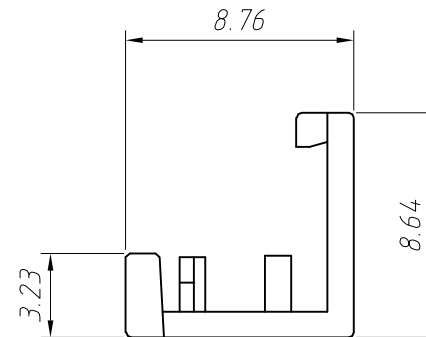
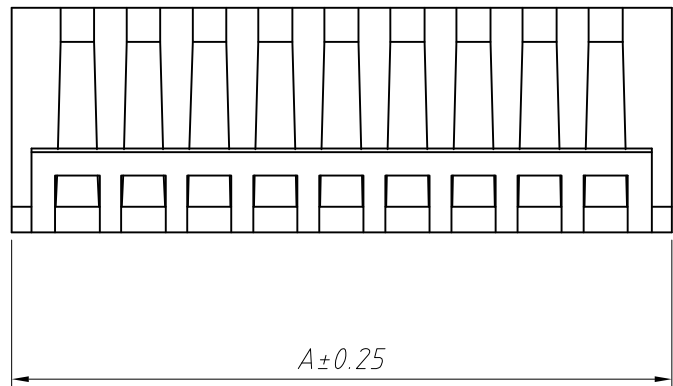
1
RoHS Compliance



Pin	Dimension mm	Pin	Dimension mm
	A		A
02	5.08	14	35.56
03	7.62	15	38.10
04	10.16	16	40.64
05	12.70	17	43.18
06	15.24	18	45.72
07	17.78	19	48.26
08	20.32	20	50.80
09	22.86	21	53.34
10	25.40	22	55.88
11	27.91	23	58.42
12	30.48	24	60.96
13	33.02		

Material:
Housing: Nylon66, UL94V-0
Color: White

Electrical Specification:
Rated Voltage: 250V AC/DC
Rated Current: 3A
Contact Resistance: 20mΩ max
Insulation Resistance: 1000MΩ min
Withstand voltage: 1500V AC/MIN
Temperature range for usage : -40°C ~ +105°C

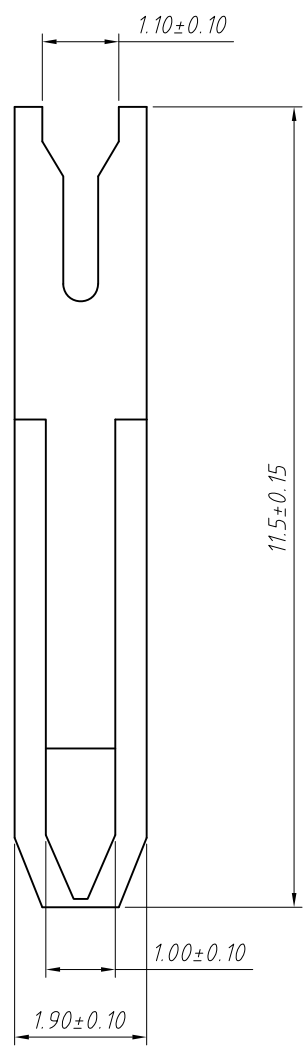
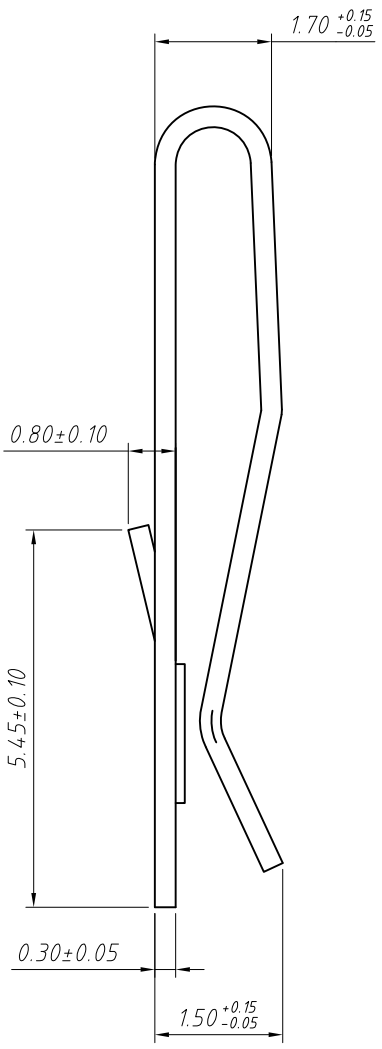


Order Information:
L-KLS1-MT-2.54-H2-XX-W
L: RoHS
IDC connectors
2.54mm Pitch
Type: H2 Housing
XX-No. of 02 24pin
Color: W=White

ANGLE TOLERANCE		PROJECTION		Description:	
±3°				2.54mm AMP IDC Connector	
GENERAL TOLERANCE		UNITS	mm	KLS P/N:	
x.x	±0.30	SHEET SIZE	A4	L-KLS1-MT-2.54-H2-XX-W	
x.xx	±0.20	Draw:	Daniel	2018-07-10	
x.xxx	±0.10	Check:	Daniel	2018-07-10	

NingBo KLS ELECTRONIC CO.,L TD.

1
RoHS Compliance



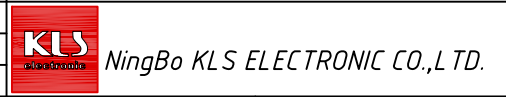
Material:
 Terminal: Phosphor Bronze
 Plating: Tin-plated
 Applicable Wire Range: AWG#22 ~ 28#

Electrical Characteristics:
 Current Rating: 2A AC, DC
 Voltage Rating: 250V AC, DC
 Temperature Range: -25°C ~ +85°C
 Contact resistance: 20mΩ Max
 Insulation Resistance: 1000MΩ Min
 Withstanding Voltang: 1500V AC/minute

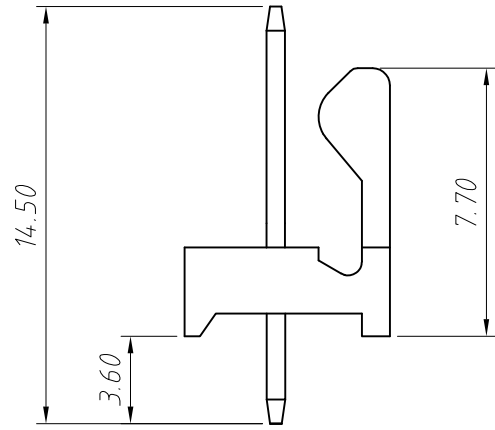
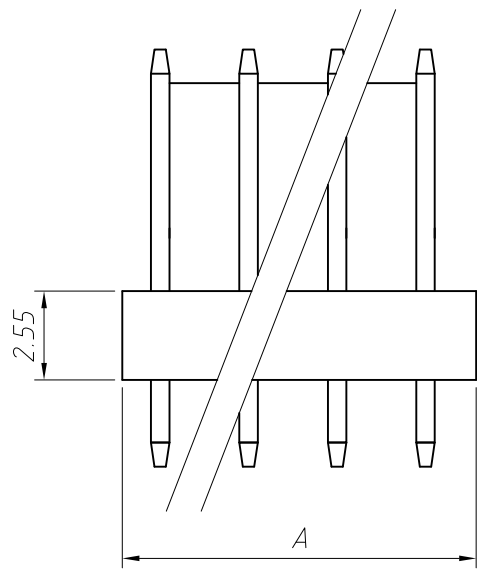
Order Information:
 L-KLS1-MT - 2.54-T

L: RoHS
 2.54: 2.54mm Pitch
 Type: T=Terminal

ANGLE TOLERANCE	PROJECTION	Description:	
±3°		2.54mm Pitch IDC Terminal	
GENERAL TOLERANCE	UNITS	mm	KLS P/N:
x.x ±0.30	SHEET SIZE	A4	L-KLS1-MT-2.54-T
x.xx ±0.20	Draw:	Daniel	2020-11-11
x.xxx ±0.10	Check:	Daniel	2020-11-11



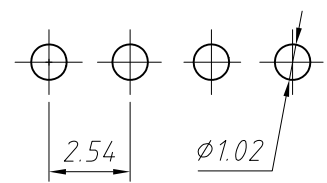
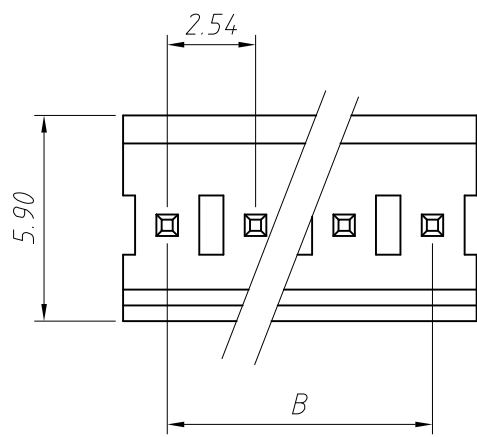
1
RoHS Compliance



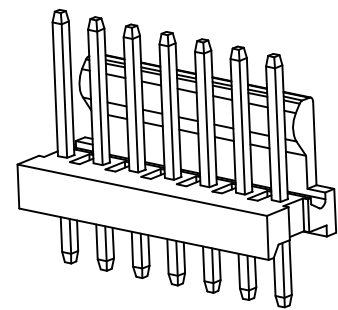
Pin	Dimension mm	
	B	A
02	2.54	5.08
03	5.08	7.62
04	7.62	10.16
05	10.16	12.70
06	12.70	15.24
07	15.24	17.78
08	17.78	20.32
09	20.32	22.86
10	22.86	25.40
11	25.40	27.91
12	27.94	30.48
13	30.48	33.02
14	33.02	35.56
15	35.56	38.10
16	38.10	40.64

Material:
Housing: Polyester UL94V-0
Contacts: Brass, Tin plated

Electrical Specification:
Rated Voltage: 250V AC/DC
Rated Current: 4A
Contact Resistance: 3.0mΩ max
Insulation Resistance: 5000MΩ min
Withstand voltage: 2200V AC/MIN
Temperature range for usage: -40°C ~ +105°C
Solder Temperature: 245°C ± 0.5°C



PCB LAYOUT



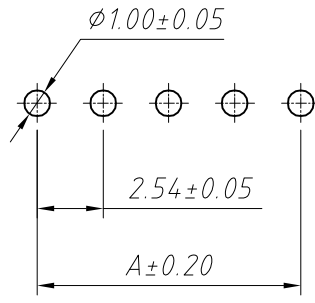
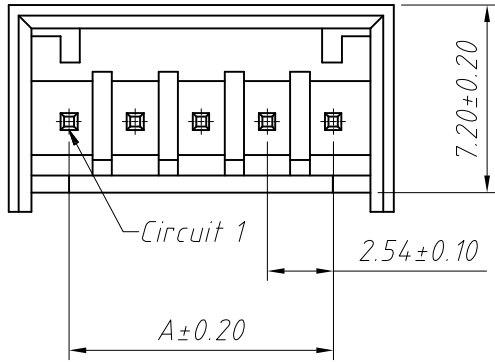
Order Information:
L-KLS1-MT-2.54-S1-XX-W

L: RoHS
IDC connectors
2.54mm Pitch
Type: S1 Straight Pin
XX-No. of 02 ~ 16 pin
Color: W=White

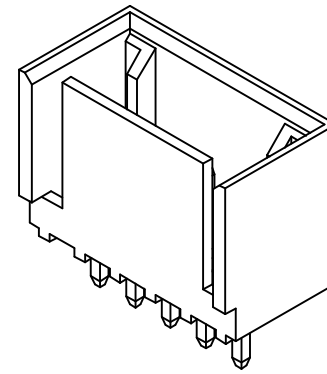
ANGLE TOLERANCE	PROJECTION	Description:	2.54mm AMP IDC Connector	
±3°				
GENERAL TOLERANCE	UNITS	mm	KLS P/N:	L-KLS1-MT-2.54-S1-XX-W
x.x ±0.30	SHEET SIZE	A4		
x.xx ±0.20	Draw:	Daniel	2018-07-10	
x.xxx ±0.10	Check:	Daniel	2018-07-10	

NingBo KLS ELECTRONIC CO.,L TD.

1
RoHS Compliance

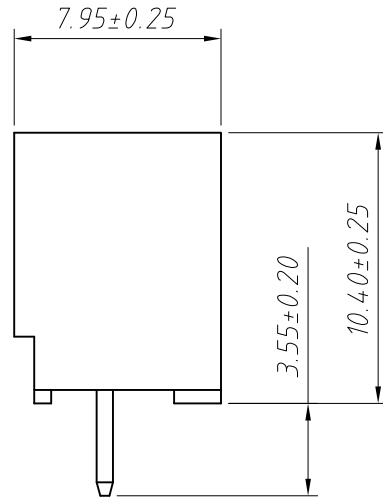
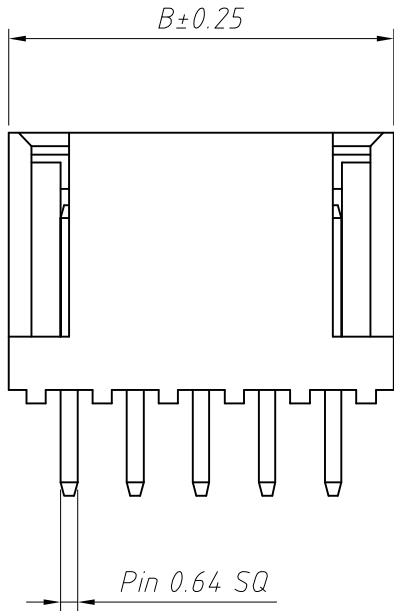


PCB LAYOUT



Material:
Housing:PBT UL94V-0
Contacts:Brass,Tin plated

Electrical Specification:
Rated Current:3A
Rated Voltage:250V AC/DC
Contact Resistance:20mΩ max
Insulation Resistance:1000MΩ min
Withstand voltage:1500V AC/MIN
Temperature range for usage:-40°C~+105°C

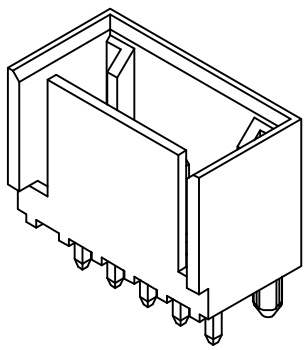
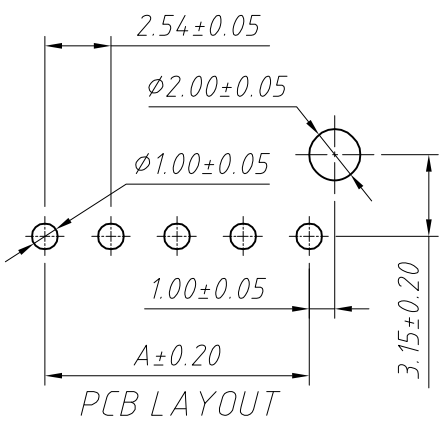
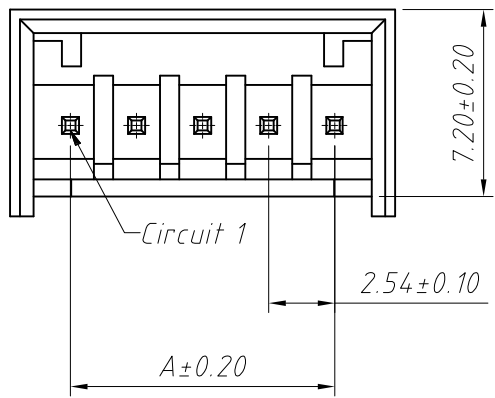


Pin	Dimension mm		Pin	Dimension mm	
	A	B		A	B
02	2.54	7.21	14	33.02	37.69
03	5.08	9.75	15	35.56	40.23
04	7.62	12.29	16	38.10	42.77
05	10.16	14.83	17	40.64	45.31
06	12.70	17.37	18	43.18	47.85
07	15.24	19.91	19	45.72	50.39
08	17.78	22.45	20	48.26	52.93
09	20.32	24.99	21	50.80	55.47
10	22.86	27.53	22	53.34	58.01
11	25.40	30.07	23	55.88	60.55
12	27.94	32.61	24	58.42	63.09
13	30.48	35.15			

Order Information:
L-KLS1-MT-2.54-S2-XX-BK
L: RoHS
IDC connectors
2.54mm Pitch
Type:S2 Straight Pin
XX-No.of 02~24 pin
Color:BK=Black

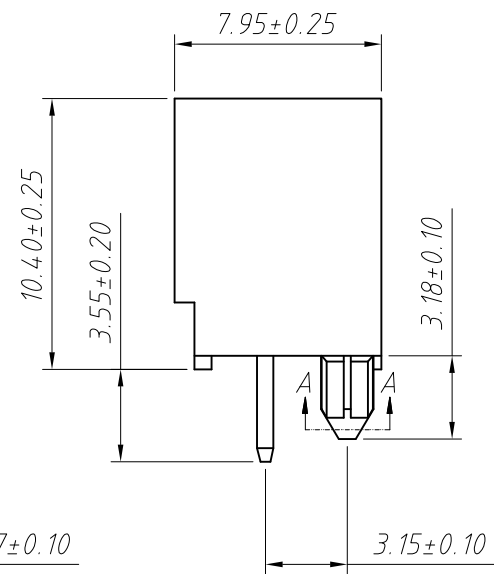
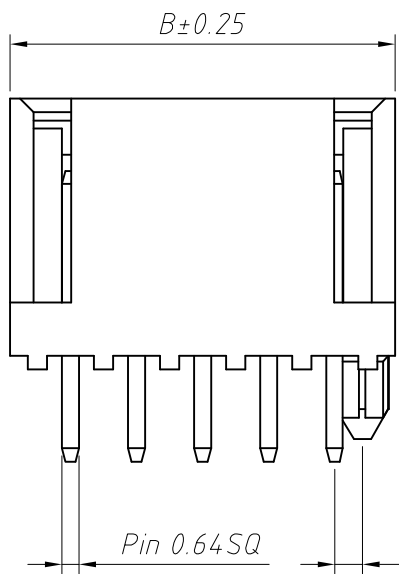
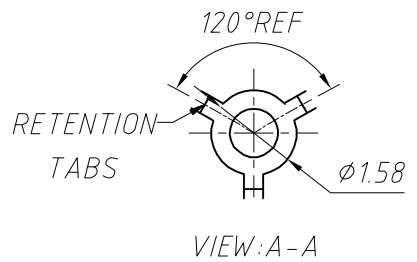
ANGLE TOLERANCE	PROJECTION	Description:	2.54mm AMP IDC Connector
±3°			
GENERAL TOLERANCE	UNITS	mm	L-KLS1-MT-2.54-S2-XX-BK
x.x ±0.30	SHEET SIZE	A4	
x.xx ±0.20	Draw:	Daniel	NingBo KLS ELECTRONIC CO.,L TD.
x.xxx ±0.10	Check:	Daniel	

1
RoHS Compliance



Material:
Housing:PBT UL94V-0
Contacts:Brass,Tin plated

Electrical Specification:
Rated Current:3A
Rated Voltage:250V AC/DC
Contact Resistance:20mΩ max
Insulation Resistance:1000MΩ min
Withstand voltage:1500V AC/MIN
Temperature range for usage:-40°C ~ +105°C

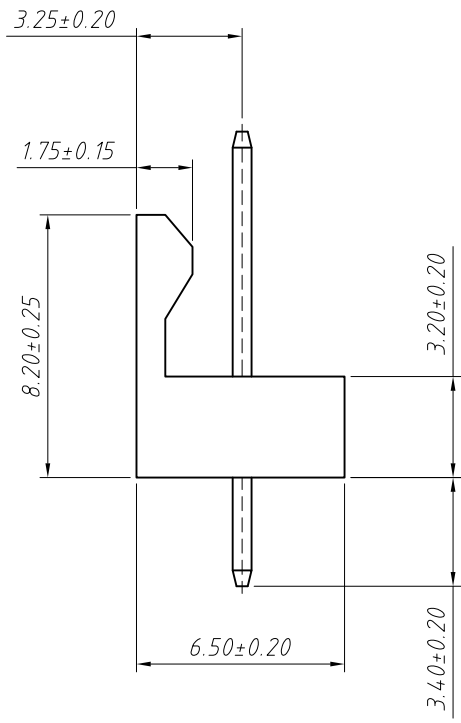
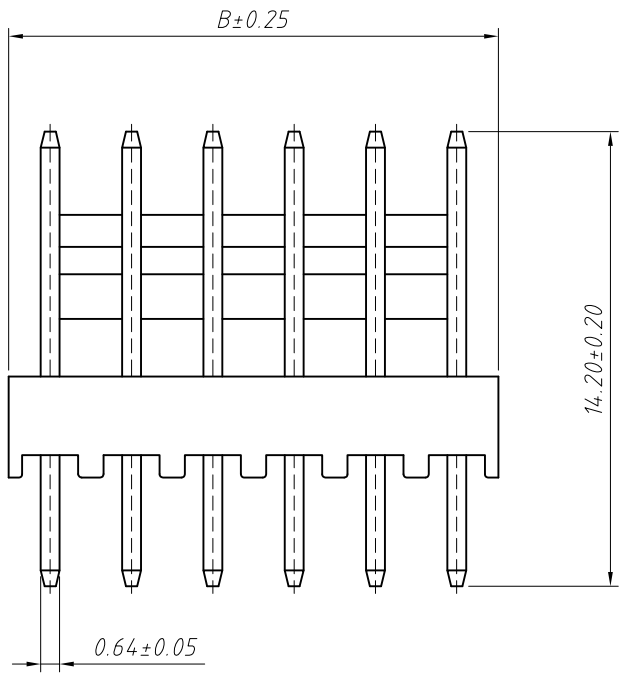


Pin	Dimension mm		Pin	Dimension mm	
	A	B		A	B
02	2.54	7.21	14	33.02	37.69
03	5.08	9.75	15	35.56	40.23
04	7.62	12.29	16	38.10	42.77
05	10.16	14.83	17	40.64	45.31
06	12.70	17.37	18	43.18	47.85
07	15.24	19.91	19	45.72	50.39
08	17.78	22.45	20	48.26	52.93
09	20.32	24.99	21	50.80	55.47
10	22.86	27.53	22	53.34	58.01
11	25.40	30.07	23	55.88	60.55
12	27.94	32.61	24	58.42	63.09
13	30.48	35.15			

Order Information:
L-KLS1-MT-2.54-S3-XX-BK
L: RoHS
IDC connectors
2.54mm Pitch
Type:S2 Straight Pin
XX-No.of 02 ~ 24 pin
Color:BK=Black

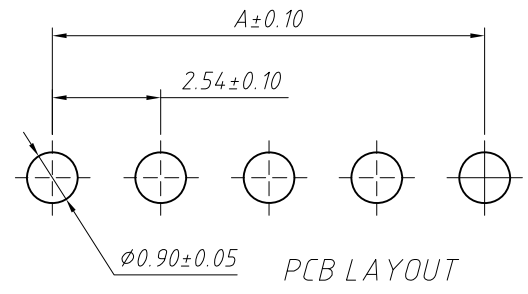
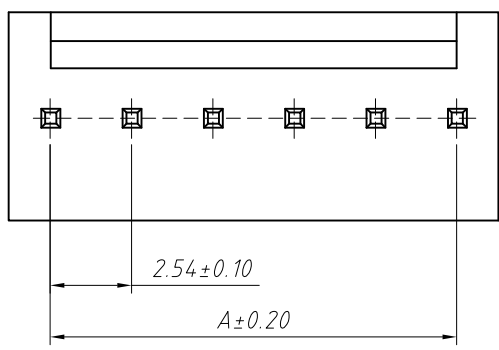
ANGLE TOLERANCE	PROJECTION	Description:	2.54mm AMP IDC Connector
±3°			
GENERAL TOLERANCE	UNITS	mm	L-KLS1-MT-2.54-R3-XX-BK
x.x ±0.30	SHEET SIZE	A4	
x.xx ±0.20	Draw:	Daniel	NingBo KLS ELECTRONIC CO.,L TD.
x.xxx ±0.10	Check:	Daniel	

1
RoHS Compliance



Material:
Hosing: Nylon66, UL94 V-0
Terminal: Brass
Plating: Tin-plated

Electrical Characteristics:
Current Rating: 2A AC, DC
Voltage Rating: 250V AC, DC
Temperature Range: -25°C ~ +85°C
Contact resistance: 20mΩ Max
Insulation Resistance: 1000MΩ Min
Withstanding Voltang: 1500V AC/minute



Circuit	Dimensions(mm)	
	A	B
02	2.54	5.08
03	5.08	7.62
04	7.62	10.16
05	10.16	12.70
06	12.70	15.24
07	15.24	17.78
08	17.78	20.32
09	20.32	22.88
10	22.88	25.40
11	25.40	27.94
12	27.94	30.48
30	73.66	76.20

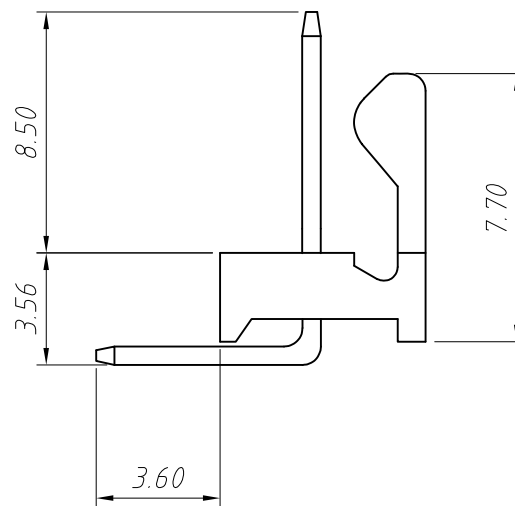
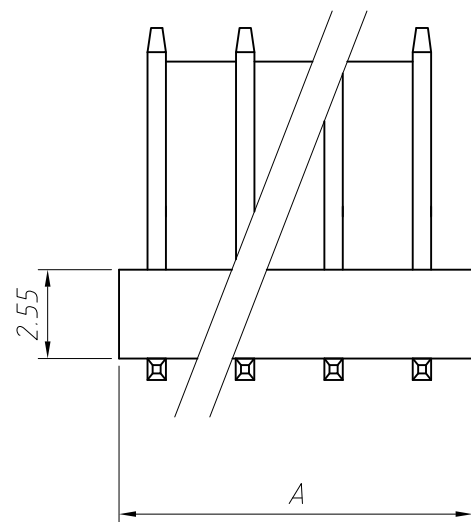
Order Information:
L-KLS1-MT - 2.54-XX-S4
L: RoHS
2.54: 2.54mm Pitch
XX-No. of
02 ~ 30 pins
Type: S4 - Straight pin

ANGLE TOLERANCE	PROJECTION	Description:
±3°		2.54mm Pitch IDC Straight Connector
GENERAL TOLERANCE	UNITS	mm
x.x ±0.30	SHEET SIZE	A4
x.xx ±0.20	Draw:	Daniel 2020-11-11
x.xxx ±0.10	Check:	Daniel 2020-11-11

KLS NingBo KLS ELECTRONIC CO.,LTD.

L-KLS1-MT-2.54-XX-S4

1 RoHS Compliance



Material:
Housing: Polyester UL94V-0
Contacts: Brass, Tin plated

Electrical Specification:
Rated Voltage: 250V AC/DC
Rated Current: 4A
Contact Resistance: 3.0mΩ max
Insulation Resistance: 5000MΩ min
Withstand voltage: 2200V AC/MIN
Temperature range for usage : -40°C ~ +105°C
Solder Temperature : 245°C ± 0.5°C

Pin	Dimension mm	
	B	A
02	2.54	5.08
03	5.08	7.62
04	7.62	10.16
05	10.16	12.70
06	12.70	15.24
07	15.24	17.78
08	17.78	20.32
09	20.32	22.86
10	22.86	25.40
11	25.40	27.91
12	27.94	30.48
13	30.48	33.02
14	33.02	35.56
15	35.56	38.10
16	38.10	40.64

Order Information:

L-KLS1-MT-2.54-R1-XX-W

L: RoHS

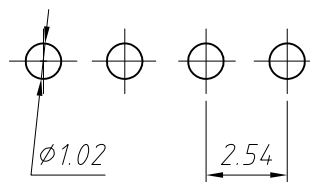
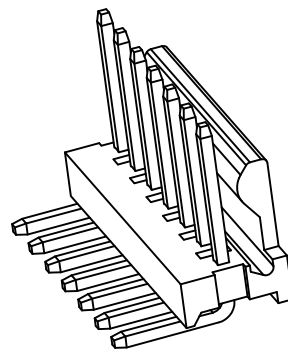
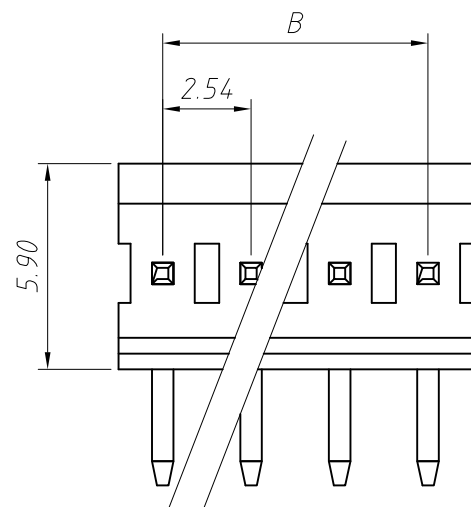
IDC connectors

2.54mm Pitch

Type: R1 Right Angle

XX-No. of 02 ~ 16 pin

Color: W=White



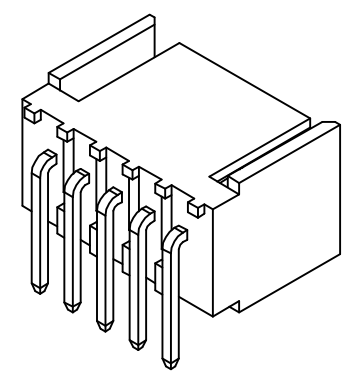
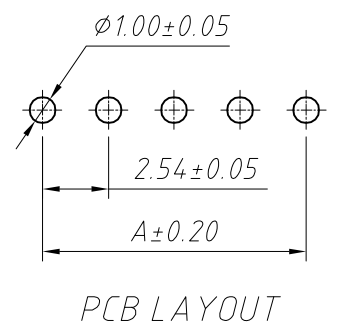
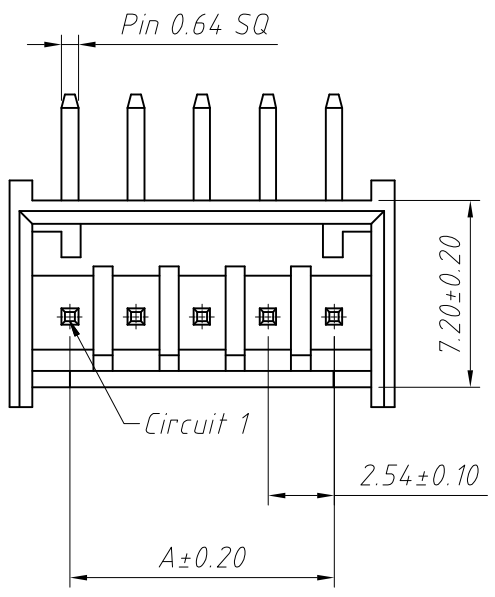
PCB LAYOUT

ANGLE TOLERANCE	PROJECTION	Description:
±3°		2.54mm AMP IDC Connector
GENERAL TOLERANCE	UNITS	mm
x.x ±0.30	SHEET SIZE	A4
x.xx ±0.20	Draw:	Daniel 2018-07-10
x.xxx ±0.10	Check:	Daniel 2018-07-10



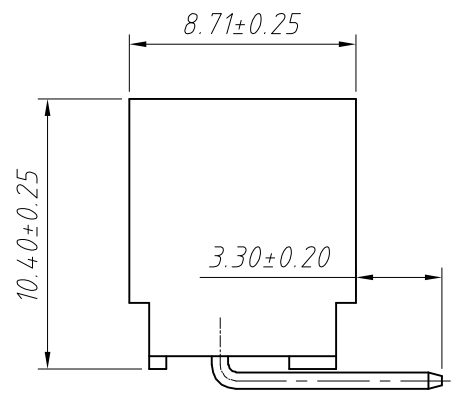
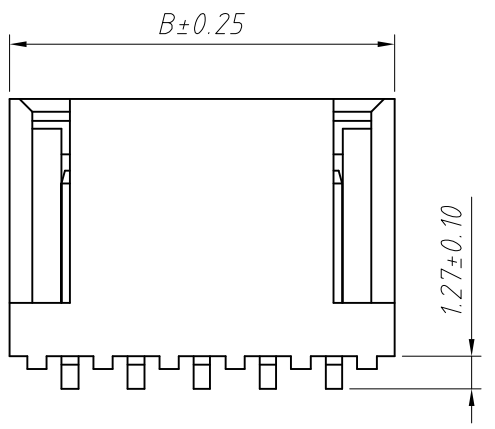
NingBo KLS ELECTRONIC CO.,L TD.

1
RoHS Compliance



Material:
Housing:PBT UL94V-0
Contacts:Brass,Tin plated

Electrical Specification:
Rated Current:3A
Rated Voltage:250V AC/DC
Contact Resistance:20mΩ max
Insulation Resistance:1000MΩ min
Withstand voltage:1500V AC/MIN
Temperature range for usage:-40°C ~ +105°C



Pin	Dimension mm		Pin	Dimension mm	
	A	B		A	B
02	2.54	7.21	14	33.02	37.69
03	5.08	9.75	15	35.56	40.23
04	7.62	12.29	16	38.10	42.77
05	10.16	14.83	17	40.64	45.31
06	12.70	17.37	18	43.18	47.85
07	15.24	19.91	19	45.72	50.39
08	17.78	22.45	20	48.26	52.93
09	20.32	24.99	21	50.80	55.47
10	22.86	27.53	22	53.34	58.01
11	25.40	30.07	23	55.88	60.55
12	27.94	32.61	24	58.42	63.09
13	30.48	35.15			

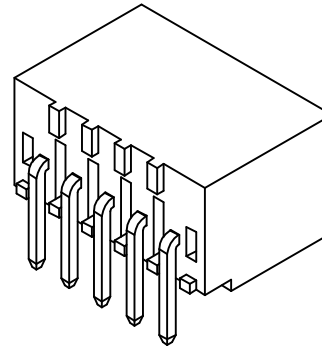
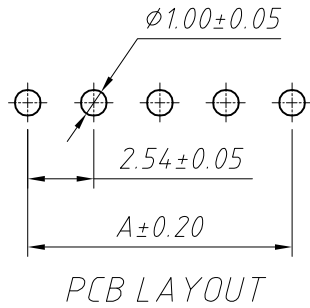
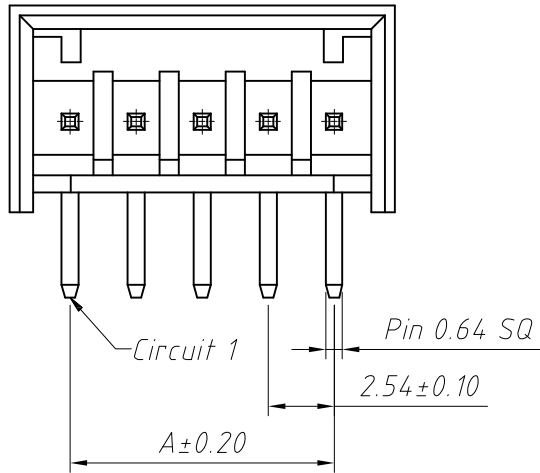
Order Information:
L-KLS1-MT-2.54-R2-XX-BK

L: RoHS
IDC connectors
2.54mm Pitch
Type:R2 Right Angle
XX-No.of 02~24 pin
Color:BK=Black

ANGLE TOLERANCE	PROJECTION	Description:	
±3°		2.54mm AMP IDC Connector	
GENERAL TOLERANCE	UNITS	mm	KLS P/N:
x.x ±0.30	SHEET SIZE	A4	L-KLS1-MT-2.54-R2-XX-BK
x.xx ±0.20	Draw:	Daniel	2018-07-10
x.xxx ±0.10	Check:	Daniel	2018-07-10

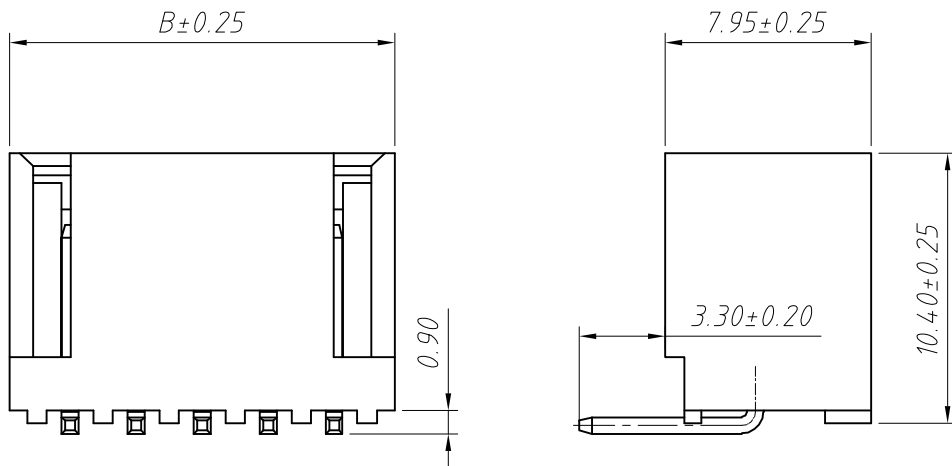
NingBo KLS ELECTRONIC CO.,LTD.

1
RoHS Compliance



Material:
Housing:PBT UL94V-0
Contacts:Brass,Tin plated

Electrical Specification:
Rated Current:3A
Rated Voltage:250V AC/DC
Contact Resistance:20mΩ max
Insulation Resistance:1000MΩ min
Withstand voltage:1500V AC/MIN
Temperature range for usage:-40°C ~ +105°C



Pin	Dimension mm		Pin	Dimension mm	
	A	B		A	B
02	2.54	7.21	14	33.02	37.69
03	5.08	9.75	15	35.56	40.23
04	7.62	12.29	16	38.10	42.77
05	10.16	14.83	17	40.64	45.31
06	12.70	17.37	18	43.18	47.85
07	15.24	19.91	19	45.72	50.39
08	17.78	22.45	20	48.26	52.93
09	20.32	24.99	21	50.80	55.47
10	22.86	27.53	22	53.34	58.01
11	25.40	30.07	23	55.88	60.55
12	27.94	32.61	24	58.42	63.09
13	30.48	35.15			

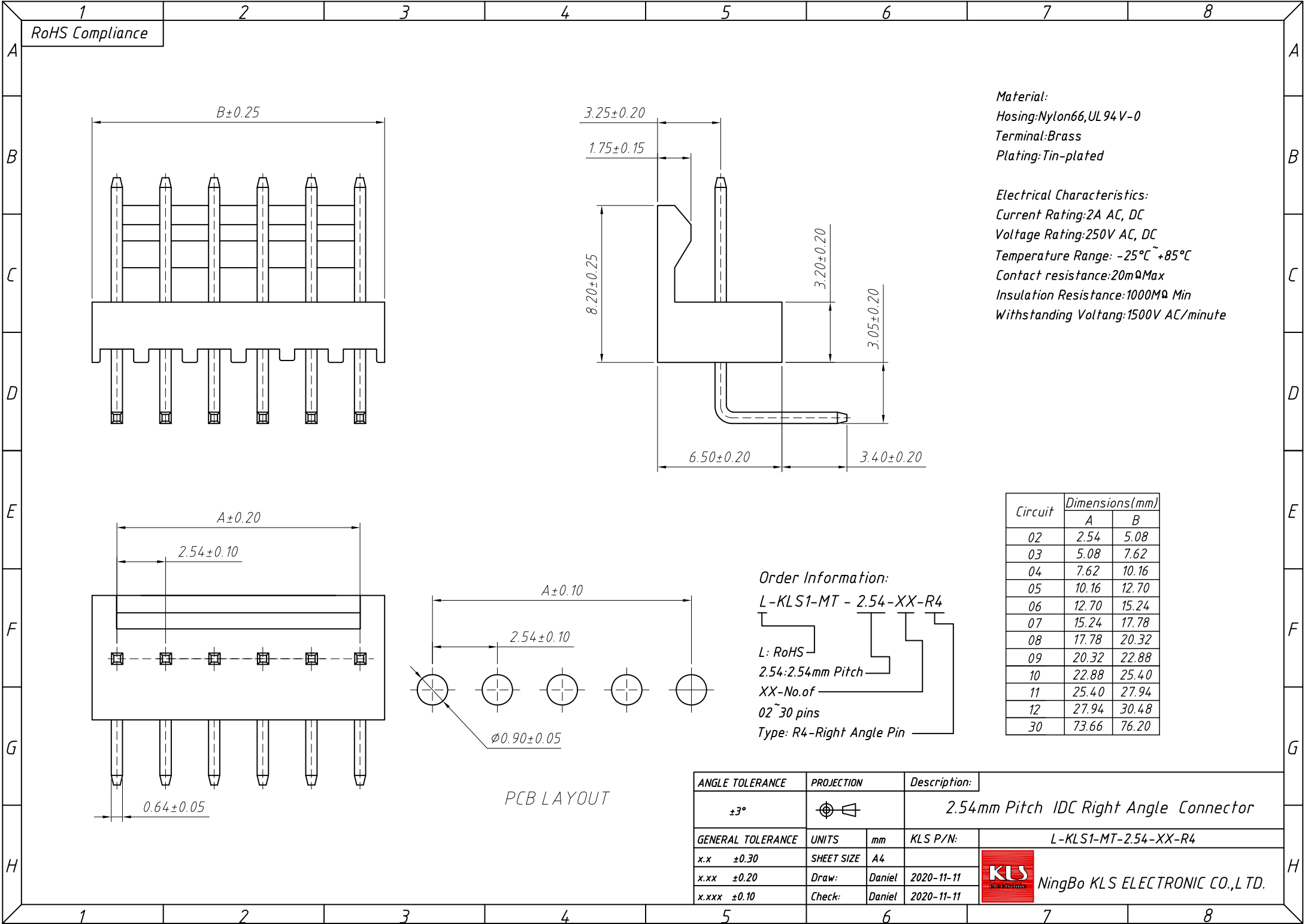
Order Information:
L-KLS1-MT-2.54-R3-XX-BK

ANGLE TOLERANCE	PROJECTION	Description:	
±3°		2.54mm AMP IDC Connector	
GENERAL TOLERANCE	UNITS	mm	KLS P/N:
x.x ±0.30	SHEET SIZE	A4	L-KLS1-MT-2.54-R3-XX-BK
x.xx ±0.20	Draw:	Daniel	2018-07-10
x.xxx ±0.10	Check:	Daniel	2018-07-10



NingBo KLS ELECTRONIC CO.,LTD.

1
RoHS Compliance



Material:
Hosing: Nylon66, UL 94 V-0
Terminal: Brass
Plating: Tin-plated

Electrical Characteristics:
Current Rating: 2A AC, DC
Voltage Rating: 250V AC, DC
Temperature Range: $-25^{\circ}\text{C} \sim +85^{\circ}\text{C}$
Contact resistance: $20\text{m}\Omega$ Max
Insulation Resistance: $1000\text{M}\Omega$ Min
Withstanding Voltang: 1500V AC/minute

Circuit	Dimensions(mm)	
	A	B
02	2.54	5.08
03	5.08	7.62
04	7.62	10.16
05	10.16	12.70
06	12.70	15.24
07	15.24	17.78
08	17.78	20.32
09	20.32	22.88
10	22.88	25.40
11	25.40	27.94
12	27.94	30.48
30	73.66	76.20

Order Information:
L-KLS1-MT - 2.54-XX-R4

L: RoHS
2.54: 2.54mm Pitch
XX: No. of pins
02 ~ 30 pins
Type: R4-Right Angle Pin

PCB LAYOUT

ANGLE TOLERANCE	PROJECTION	Description:	
$\pm 3^{\circ}$		2.54mm Pitch IDC Right Angle Connector	
GENERAL TOLERANCE	UNITS	mm	KLS P/N:
x.x ± 0.30	SHEET SIZE	A4	L-KLS1-MT-2.54-XX-R4
x.xx ± 0.20	Draw:	Daniel	2020-11-11
x.xxx ± 0.10	Check:	Daniel	2020-11-11

