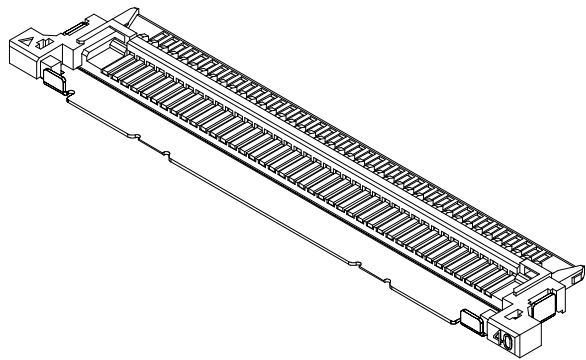
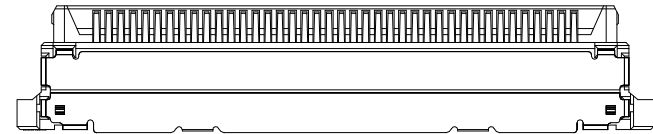
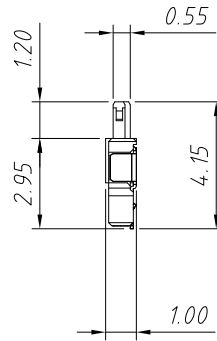
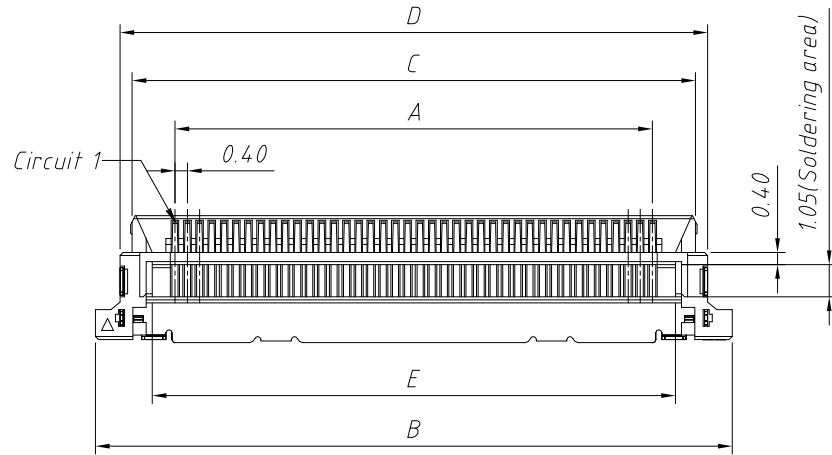


1
RoHS Compliance

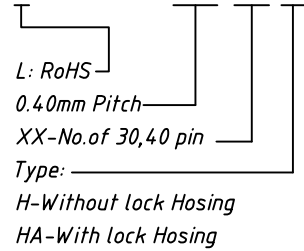


Poles	A	B	C	D	E
30	11.60	16.80	14.40	15.20	13.10
40	15.60	20.80	18.40	19.20	17.10



Material:
 Housing:LCP, UL 94V-0
 Pin:Phosphor Bronze,Gold-plated
 Shell:Phosphor Bronze ,Tin-plated
 Suitable Coaxial Cable #40,42

Order Information:
 L-KLS1-XF1-0.40-XX-H



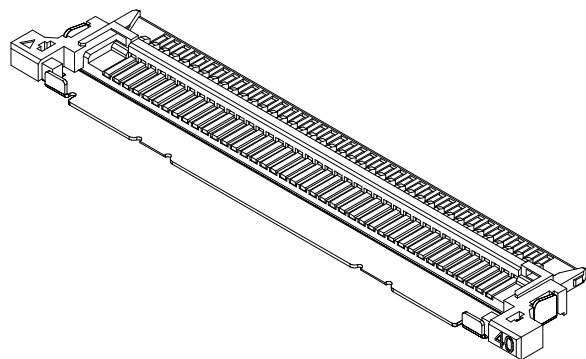
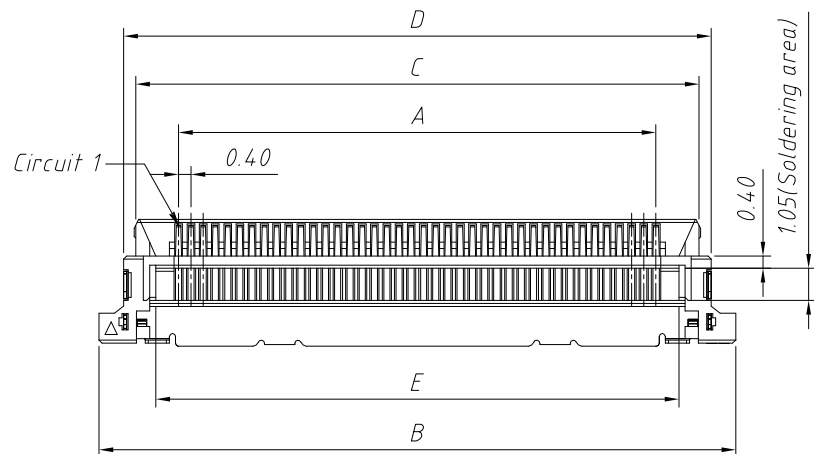
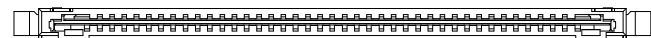
Electrical Characteristics:
 Current rating:0.3A AC,DC
 Voltage rating:100V AC,DC
 Temperature range:-25°C ~ +85°C
 Contact resistance:40mΩ/Max.
 Insulationresistance:1000MΩ/Min.
 Withstanding voltage:250V AC/minute

ANGLE TOLERANCE	PROJECTION	Description:
±3°		0.40mm Pitch board to board connector
GENERAL TOLERANCE	UNITS	mm
x.x ±0.30	SHEET SIZE	A4
x.xx ±0.20	Draw:	Daniel 2020-11-11
x.xxx ±0.10	Check:	Daniel 2020-11-11

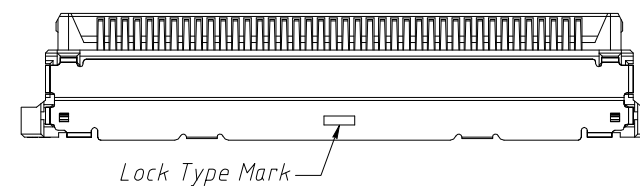
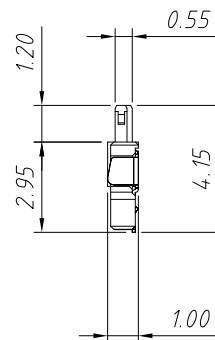


NingBo KLS ELECTRONIC CO.,L.TD.

1
RoHS Compliance



Poles	A	B	C	D	E
30	11.60	16.80	14.40	15.20	13.10
40	15.60	20.80	18.40	19.20	17.10

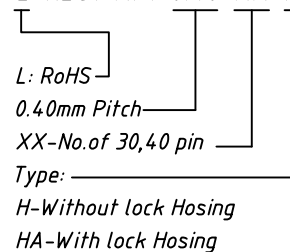


Material:

Housing: LCP, UL 94V-0
Pin: Phosphor Bronze, Gold-plated
Shell: Phosphor Bronze, Tin-plated
Suitable Coaxial Cable #40,42

Order Information:

L-KLS1-XF1-0.40-XX-HA



Electrical Characteristics:

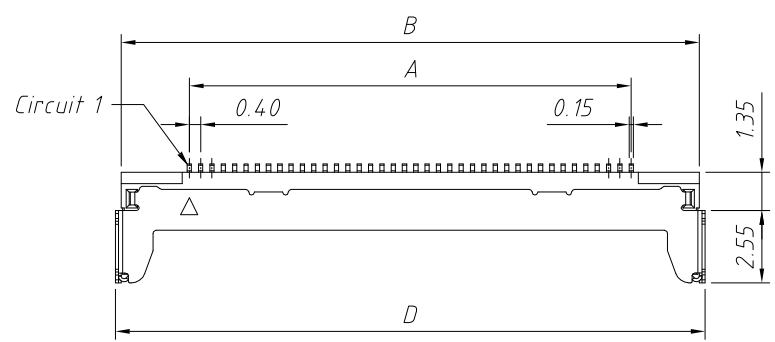
Current rating: 0.3A AC,DC
Voltage rating: 100V AC,DC
Temperature range: -25°C ~ +85°C
Contact resistance: 40mΩ/Max.
Insulation resistance: 1000MΩ/Min.
Withstanding voltage: 250V AC/minute

ANGLE TOLERANCE	PROJECTION	Description:
±3°		0.40mm Pitch board to board connector
GENERAL TOLERANCE	UNITS	mm
x.x ±0.30	SHEET SIZE	A4
x.xx ±0.20	Draw:	Daniel 2020-11-11
x.xxx ±0.10	Check:	Daniel 2020-11-11

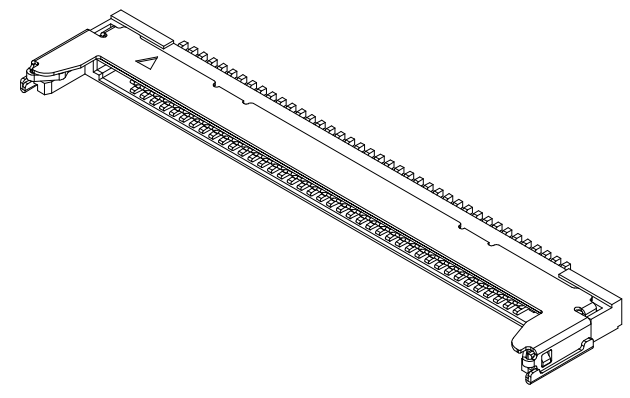
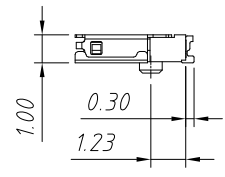
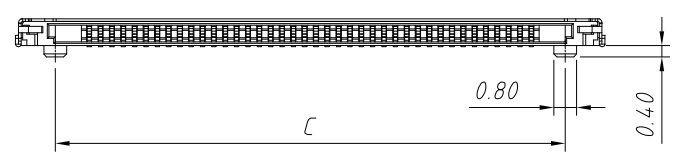


NingBo KLS ELECTRONIC CO.,LTD.

1
RoHS Compliance



Poles	A	B	C	D	E
30	11.60	16.40	14.00	16.80	16.10
40	15.60	20.40	18.00	20.80	20.10

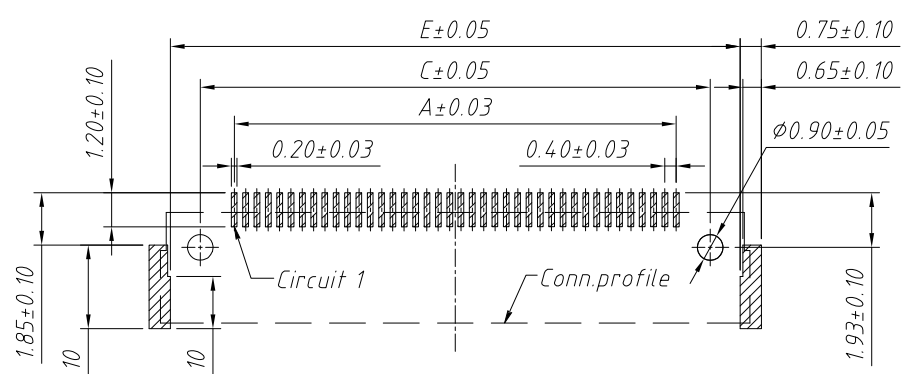


Material:
 Wafer: LCP, UL 94V-0
 Pin: Phosphor Bronze, Gold-plated
 Shell: Phosphor Bronze, Tin-plated

Order Information:
 L-KLS1-XF1-0.40-XX-RM-N-SF

L: RoHS
 0.40mm Pitch
 XX-No. of 30, 40 pin
 RM-Horizontal SMT Pin
 W-With lock N-Without lock
 S-Without boss SF-With boss

Electrical Characteristics:
 Current rating: 0.3A AC, DC
 Voltage rating: 100V AC, DC
 Temperature range: -25°C ~ +85°C
 Contact resistance: 40mΩ/Max.
 Insulation resistance: 1000MΩ/Min.
 Withstanding voltage: 250V AC/minute

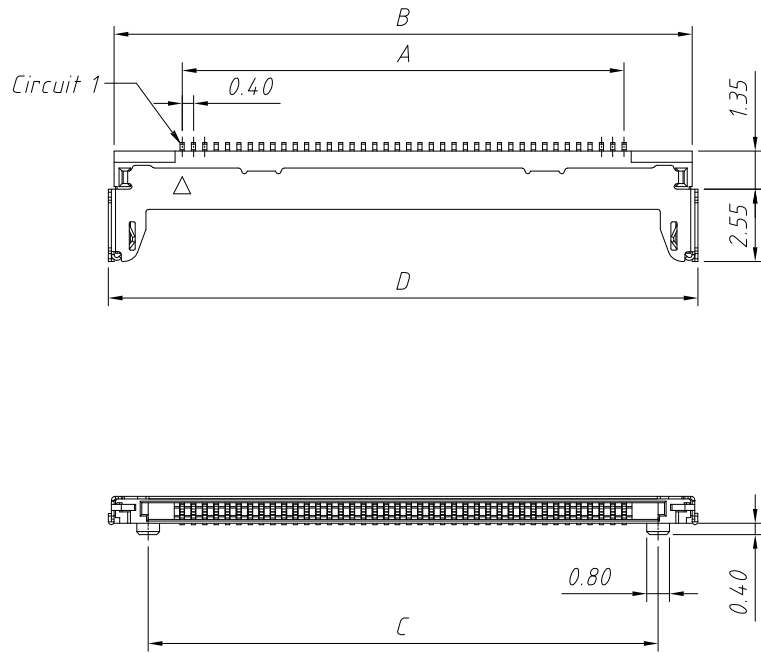


SUGGESTED PCB LAYOUT
 COMPONENT SIDE

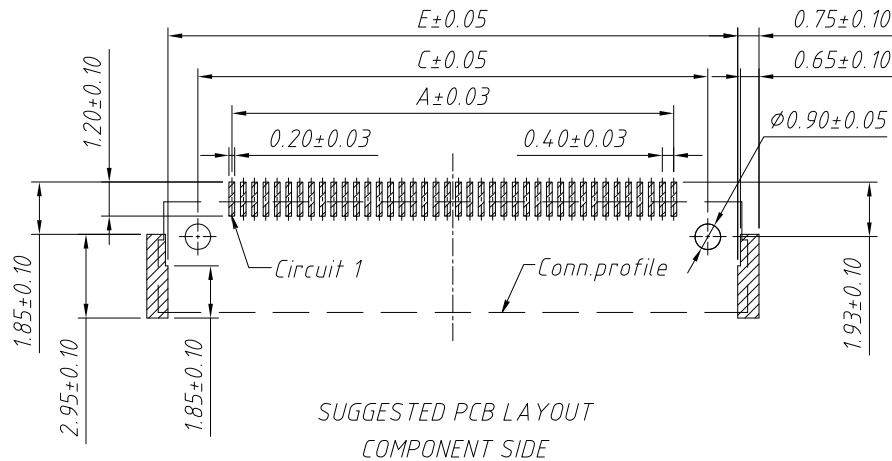
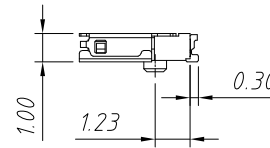
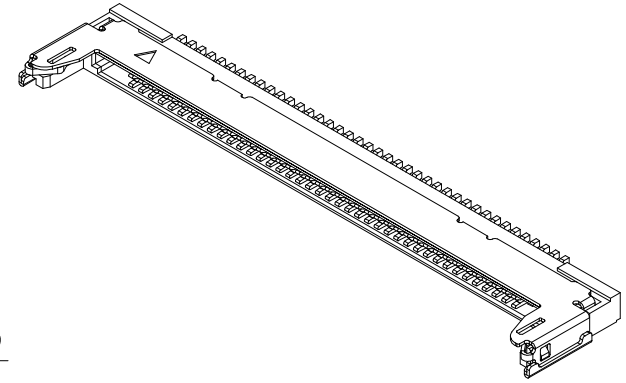
ANGLE TOLERANCE		PROJECTION		Description:	
±3°				0.40mm Pitch board to board connector	
GENERAL TOLERANCE		UNITS	mm	KLS P/N:	
x.x	±0.30	SHEET SIZE	A4	L-KLS1-XF1-0.40-XX-RM-N-SF	
x.xx	±0.20	Draw:	Daniel	2020-11-11	
x.xxx	±0.10	Check:	Daniel	2020-11-11	

NingBo KLS ELECTRONIC CO., L TD.

1 RoHS Compliance



Poles	A	B	C	D	E
30	11.60	16.80	14.40	15.20	13.10
40	15.60	20.80	18.40	19.20	17.10



SUGGESTED PCB LAYOUT
COMPONENT SIDE

Material:
Wafer: LCP, UL 94V-0
Pin: Phosphor Bronze, Gold-plated
Shell: Phosphor Bronze, Tin-plated

Order Information:

L-KLS1-XF1-0.40-XX-RM-W-SF

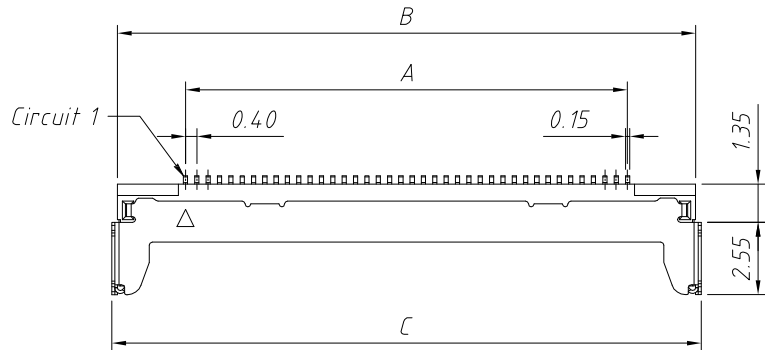
L: RoHS
0.40mm Pitch
XX-No. of 30, 40 pin
RM-Horizontal SMT Pin
W-With lock N-Without lock
S-Without boss SF-With boss

Electrical Characteristics:
Current rating: 0.3A AC, DC
Voltage rating: 100V AC, DC
Temperature range: -25°C ~ +85°C
Contact resistance: 40mΩ/Max.
Insulation resistance: 1000MΩ/Min.
Withstanding voltage: 250V AC/minute

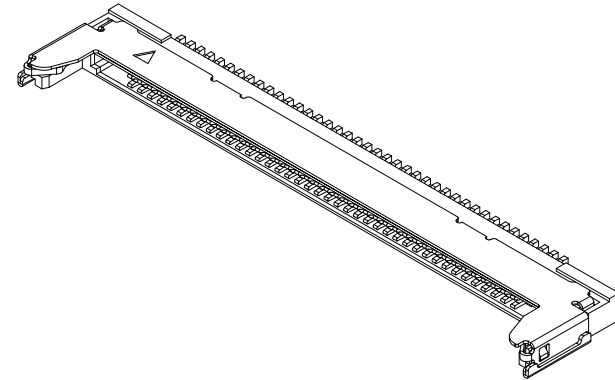
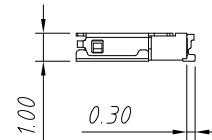
ANGLE TOLERANCE	PROJECTION	Description:
±3°		0.40mm Pitch board to board connector
GENERAL TOLERANCE	UNITS	mm
x.x ±0.30	SHEET SIZE	A4
x.xx ±0.20	Draw:	Daniel 2020-11-11
x.xxx ±0.10	Check:	Daniel 2020-11-11

KLS
NingBo KLS ELECTRONIC CO., L TD.

1 RoHS Compliance



Poles	A	B	C	D
30	11.60	16.40	16.80	16.10
40	15.60	20.40	20.80	20.10



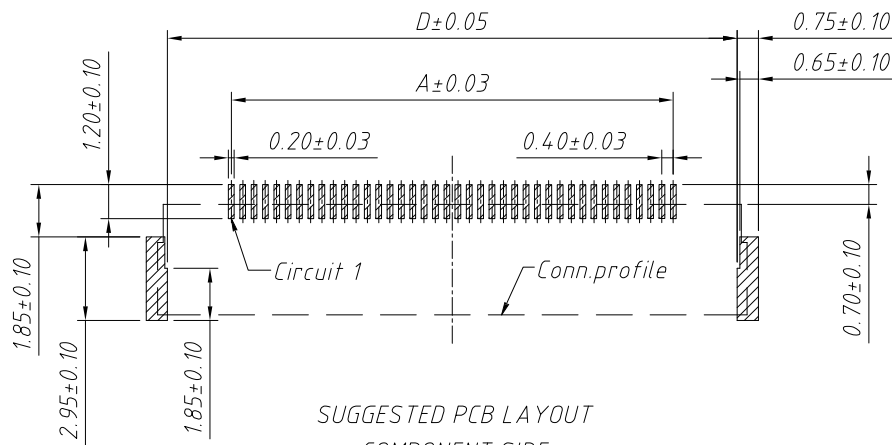
Material:
 Wafer:LCP, UL 94V-0
 Pin:Phosphor Bronze,Gold-plated
 Shell:Phosphor Bronze ,Tin-plated

Order Information:

L-KLS1-XF1-0.40-XX-RM-N-S

L: RoHS
 0.40mm Pitch
 XX-No.of 30,40 pin
 RM-Horizontal SMT Pin
 W-With lock N-Without lock
 S-Without boss SF-With boss

Electrical Characteristics:
 Current rating:0.3A AC,DC
 Voltage rating:100V AC,DC
 Temperature range:-25°C ~ +85°C
 Contact resistance:40mΩ/Max.
 Insulationresistance:1000MΩ/Min.
 Withstanding voltage:250V AC/minute



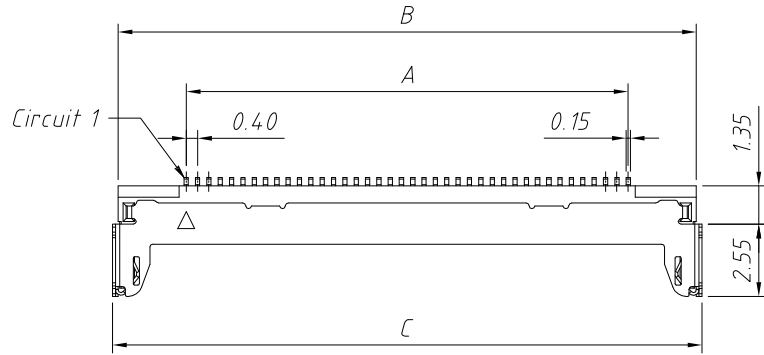
SUGGESTED PCB LAYOUT
 COMPONENT SIDE

ANGLE TOLERANCE	PROJECTION	Description:
±3°		0.40mm Pitch board to board connector
GENERAL TOLERANCE	UNITS	mm
x.x ±0.30	SHEET SIZE	A4
x.xx ±0.20	Draw:	Daniel 2020-11-11
x.xxx ±0.10	Check:	Daniel 2020-11-11

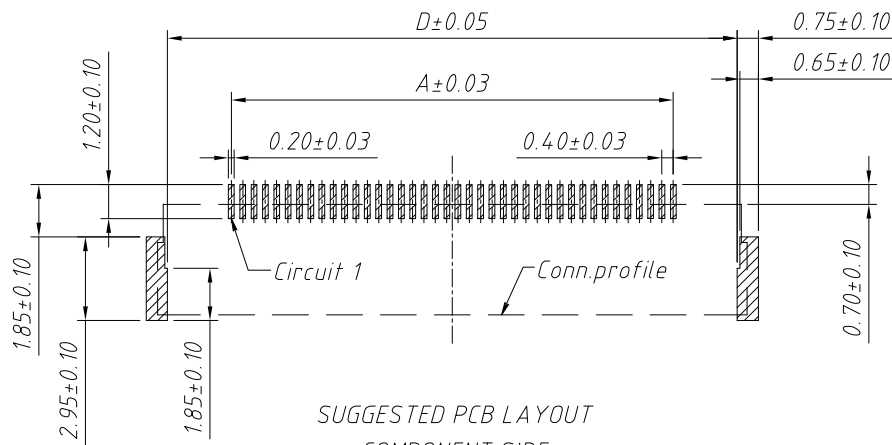
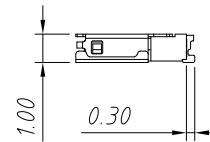
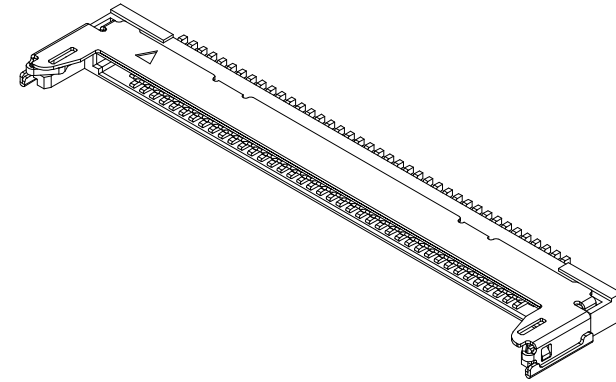


NingBo KLS ELECTRONIC CO.,L TD.

1 RoHS Compliance



Poles	A	B	C	D
30	11.60	16.40	16.80	16.10
40	15.60	20.40	20.80	20.10



SUGGESTED PCB LAYOUT
COMPONENT SIDE

Material:
Wafer:LCP, UL 94V-0
Pin:Phosphor Bronze,Gold-plated
Shell:Phosphor Bronze ,Tin-plated

Order Information:
L-KLS1-XF1-0.40-XX-RM-W-S

L: RoHS
0.40mm Pitch
XX-No. of 30,40 pin
RM-Horizontal SMT Pin
W-With lock N-Without lock
S-Without boss SF-With boss

Electrical Characteristics:
Current rating:0.3A AC,DC
Voltage rating:100V AC,DC
Temperature range:-25°C ~ +85°C
Contact resistance:40mΩ/Max.
Insulation resistance:1000MΩ/Min.
Withstanding voltage:250V AC/minute

ANGLE TOLERANCE	PROJECTION	Description:
±3°		0.40mm Pitch board to board connector
GENERAL TOLERANCE	UNITS	mm
x.x ±0.30	SHEET SIZE	A4
x.xx ±0.20	Draw:	Daniel 2020-11-11
x.xxx ±0.10	Check:	Daniel 2020-11-11



NingBo KLS ELECTRONIC CO.,L TD.