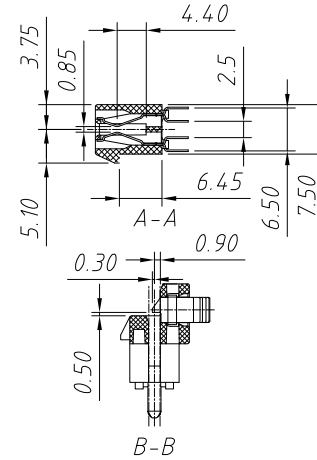
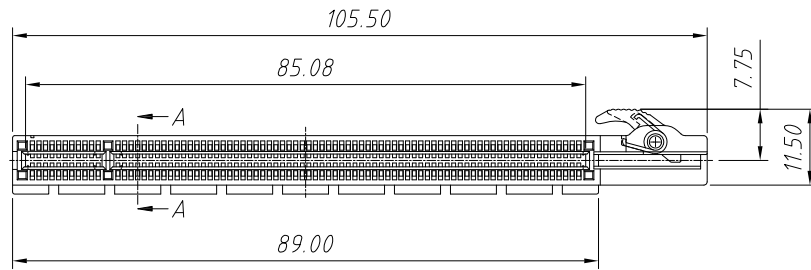


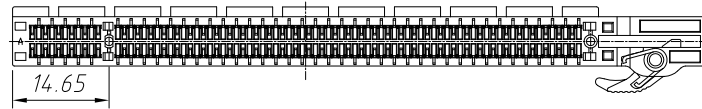
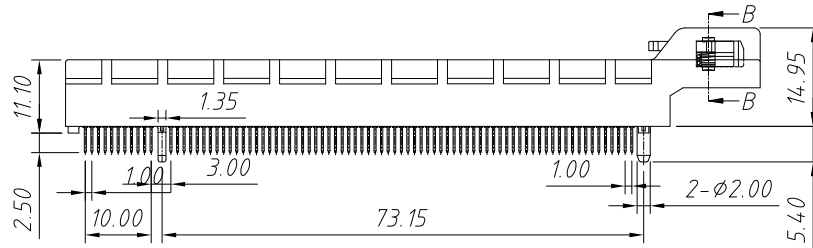
1 RoHS Compliance



Order Information:

L-KLS1-PCIE05C-164-B-G1U-R

L: RoHS
 164-No. of 164 pins
 Colour: B-Black
 Y-Yellow L-Blue W-White
 Plating: G1U-Gold 1u"
 G3U-Gold 3u" G30U-Gold 30u"
 Packing: A-Tube C-Tray E-Box



Material:

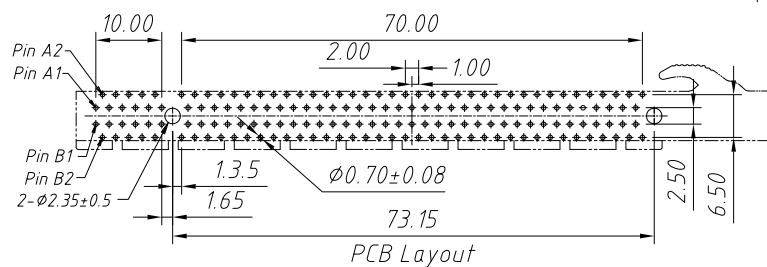
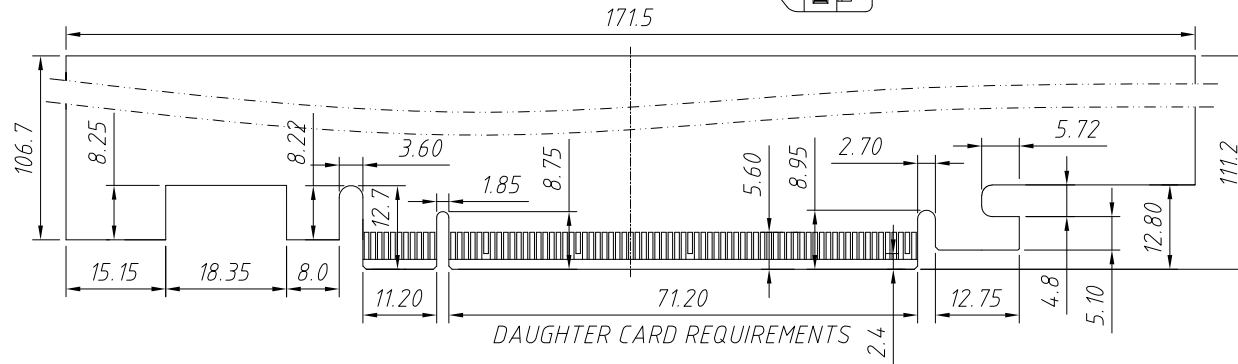
Housing: PBT/PA66, UL 94 V-0
 Contact: Brass
 Plating: Gold Plating Over Nickel.

Mechanical

Insertion Force: 1.15N Max Per Contact Pair
 Withdrawal Force: 0.15N Min per contact pair
 Contact Retention Force: 4.9N Min Per Contact,

Electrical Specification:

Current Rating: 1.0 AMP
 Contact Resistance: 30M Ohm max
 Insulator Resistance: 1000M Ohm min. at DC 500V DC
 Operating Temperature: -45°C ~ +105°C



ANGLE TOLERANCE	PROJECTION	Description:
±3°		1.0mm Pitch PCIE Card Connector 164P
GENERAL TOLERANCE	UNITS	mm
x.x ±0.30	SHEET SIZE	A4
x.xx ±0.20	Draw:	Daniel 2020-11-11
x.xxx ±0.10	Check:	Daniel 2020-11-11



NingBo KLS ELECTRONIC CO.,LTD.