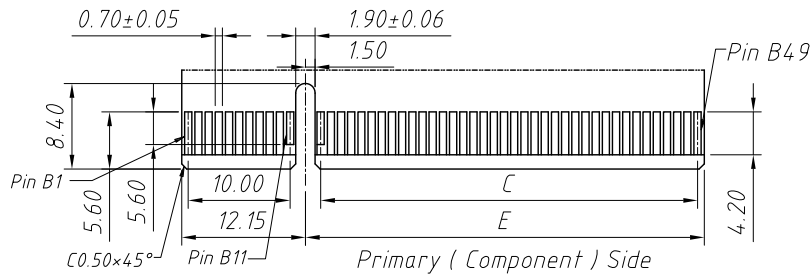
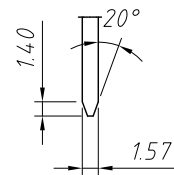
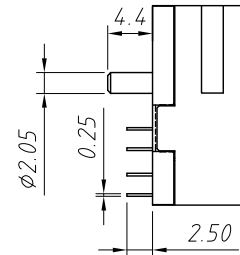
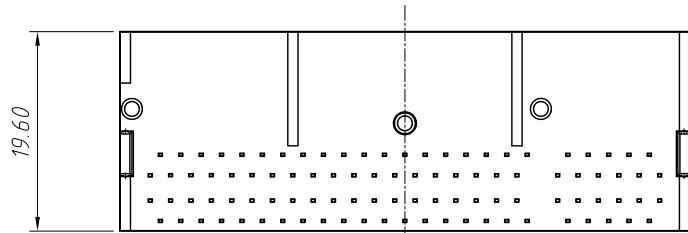
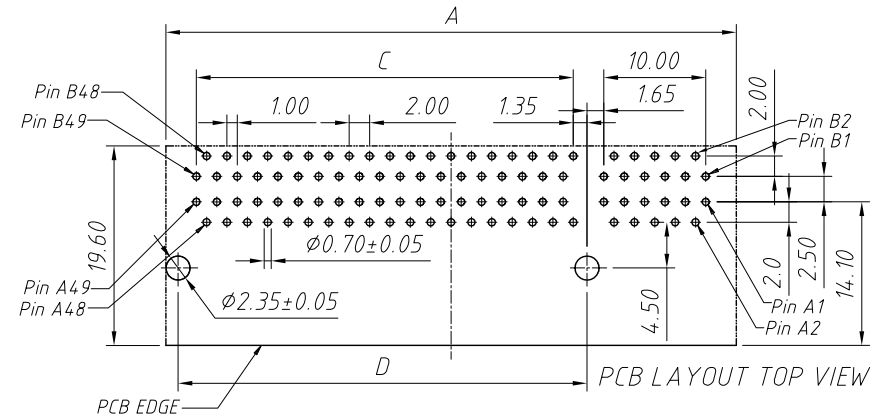
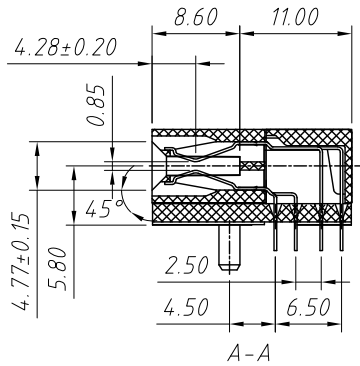
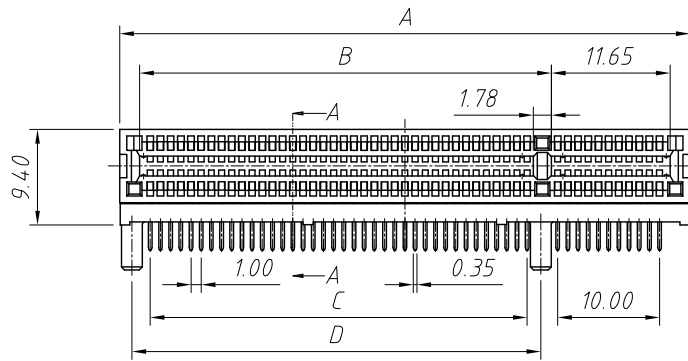


1 RoHS Compliance



Order Information:

L-KLS1-PCIE04-XX-B-G1U-A

L: RoHS

XX-No. of 36-280pins

Colour: B-Black G-Green

O-Orange L-Blue W-White

Plating: G1U-Gold 1u"

G3U-Gold 3u"

Packing: A-Tube C-Tray E-Box

Material:

Housing: PBT/PA66, UL 94 V-0

Contact: Brass, Gold Plating Over Nickel.

Mechanical

Insertion Force: 1.15N Max Per Contact Pair

Withdrawal Force: 0.15N Min per contact pair

Contact Retention Force: 4.9N Min Per Contact,

Electrical Specification:

Current Rating: 1.0 AMP

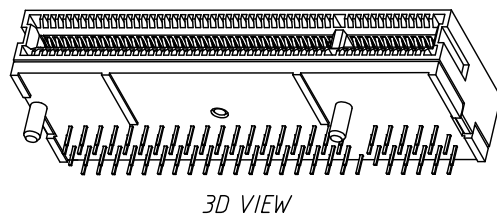
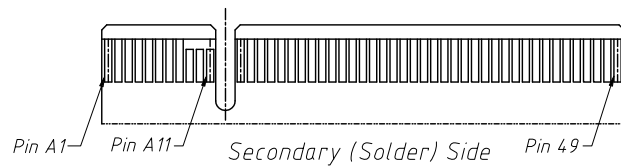
Contact Resistance: 30M Ohm max

Insulator Resistance: 1000M Ohm min. at DC 500V DC

Operating Temperature: -45°C ~ +105°C

Dimension Manual

PIN	A	B	C	D	E
36	25.00	7.65	6.00	9.15	8.15
64	39.00	21.65	20.00	23.15	22.15
98	56.00	38.65	37.00	40.15	39.15
164	89.00	71.65	70.00	73.15	72.15
280	147.0	129.65	128.0	131.15	130.15



ANGLE TOLERANCE	PROJECTION	Description:
±3°		1.0mm Pitch PCIE card Connector slot pcb dip 90
GENERAL TOLERANCE	UNITS	mm
x.x ±0.30	SHEET SIZE	A4
x.xx ±0.20	Draw:	Daniel 2020-11-11
x.xxx ±0.10	Check:	Daniel 2020-11-11



NingBo KLS ELECTRONIC CO.,LTD.