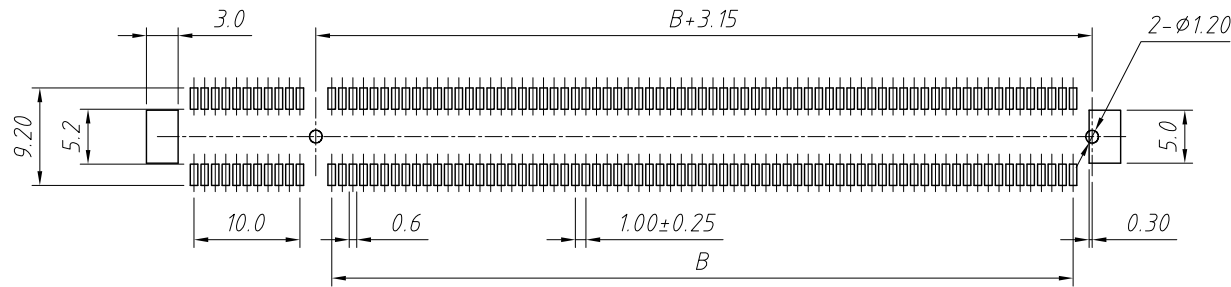
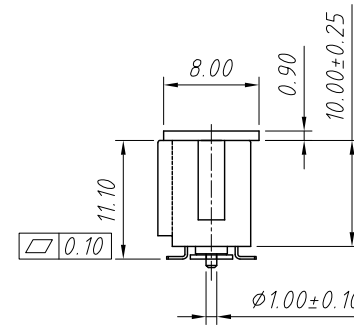
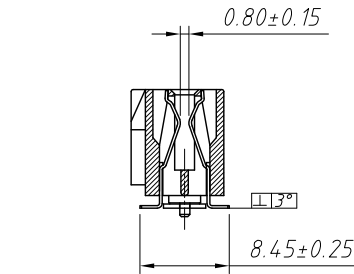
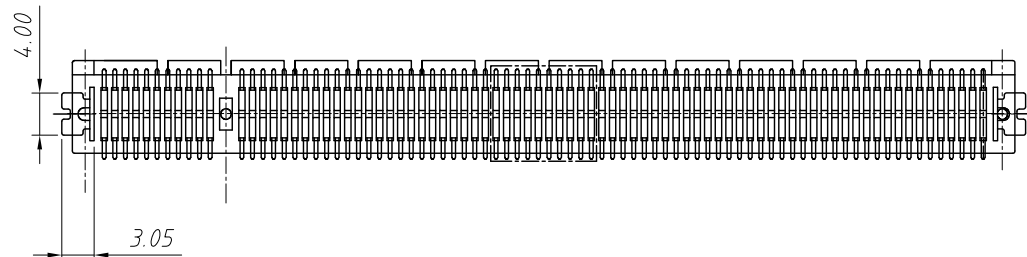
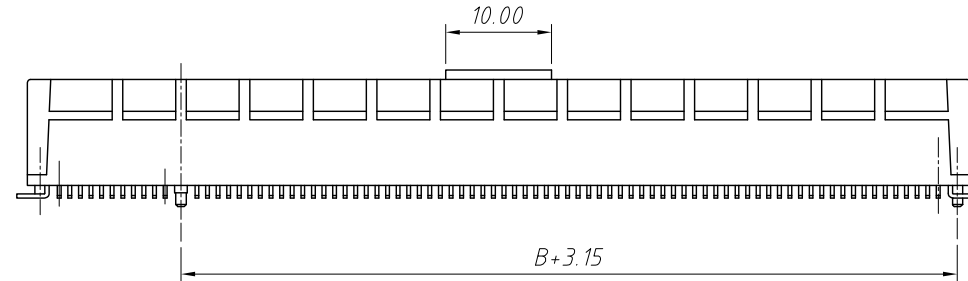
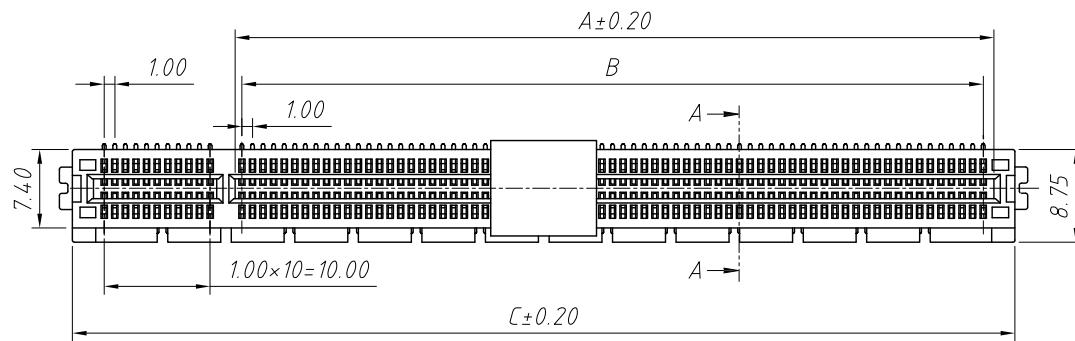


1 RoHS Compliance



Recommended P.C.B Layout



PIN	A	B	C
36	7.65	6.00	25.00
64	21.65	20.00	39.00
98	38.65	37.00	56.00
164	71.65	70.00	89.00

Order Information:

L-KLS1-PCIE03A-XX-B-G1U-A

L: RoHS

XX-No. of 36-164pins

Colour: B-Black G-Green

O-Orange L-Blue W-White

Plating:

Gold Plating Over Nickel.

Packing: A-Tube R-Reel

Material:

Housing: PA6T/LCP, UL94V-0

Contact: Brass

Plating: Gold Plating Over Nickel.

Mechanical

Insertion Force: 1.15N Max Per Contact Pair

Withdrawal Force: 0.15N Min per contact pair

Contact Retention Force: 4.9N Min Per Contact,

Electrical Specification:

Current Rating: 1.0 AMP

Contact Resistance: 30M Ohm max

Insulator Resistance: 1000M Ohm min. at DC 500V DC

Operating Temperature: -45°C ~ +105°C

ANGLE TOLERANCE	PROJECTION	Description:
±3°		1.0mm Pitch PCIE Card Connector SMT Type
GENERAL TOLERANCE	UNITS	mm
x.x ±0.30	SHEET SIZE	A4
x.xx ±0.20	Draw:	Daniel 2020-11-11
x.xxx ±0.10	Check:	Daniel 2020-11-11



NingBo KLS ELECTRONIC CO.,L TD.