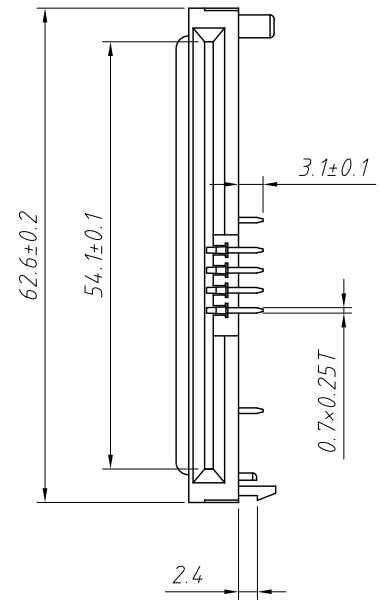
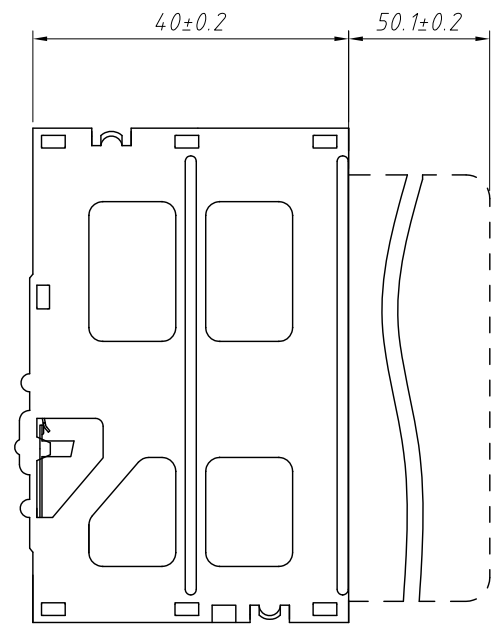
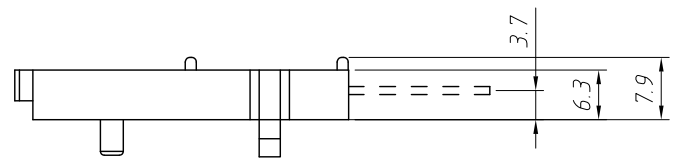
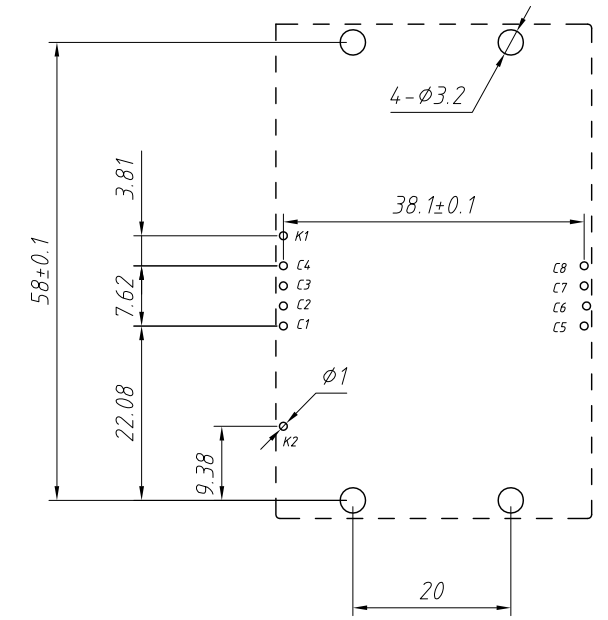


1
RoHS Compliance



RECOMMEND PCB LAYOUT (FEMALE)
TOLERANCE=±0.05mm



Contact Resistance: 50mΩ max.
Insulation Resistance: 1000MΩ min
Current Rating: 1A
Dielectric withstanding voltage: AC 500V(r.m.s) /60s
Operating temperature: -40°C ~ +85°C
Product temperature resistance: 260±5°C 10S

Material:
Plastic: black high temperature UL94V-0;
Terminal: copper alloy
Electrical Characteristics

ANGLE TOLERANCE	PROJECTION	Description:	
±3°		Smart IC Card Connector PUSH PULL, 8P+2P	
GENERAL TOLERANCE	UNITS	mm	KLS P/N:
x.x ±0.30	SHEET SIZE	A4	L-KLS1-ISC-F036
x.xx ±0.20	Draw:	Daniel	2018-07-10
x.xxx ±0.10	Check:	Daniel	2018-07-10



NingBo KLS ELECTRONIC CO.,L TD.