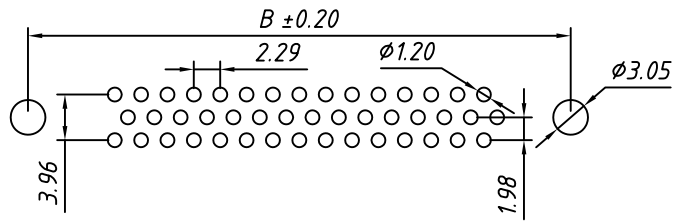
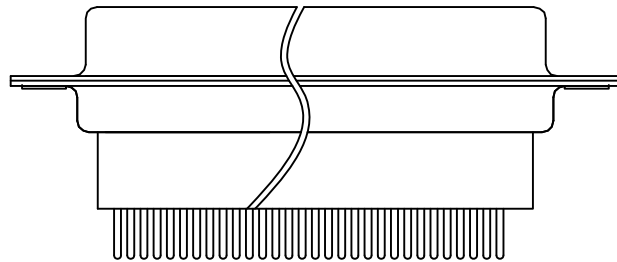
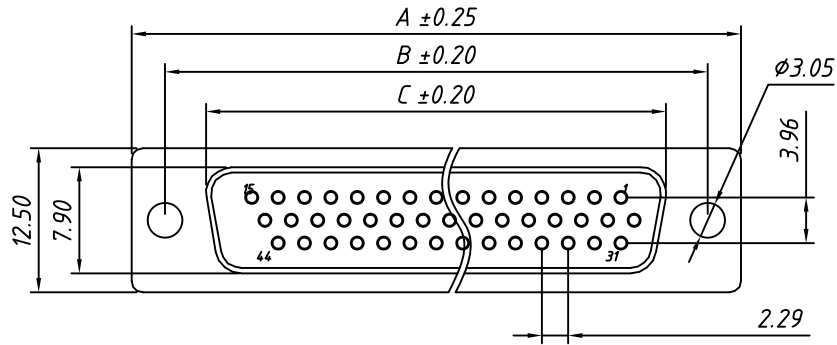
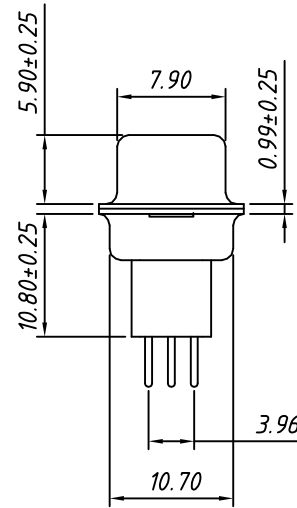


1 RoHS Compliant



RECOMMENDED PCB LAYOUT
TOLERANCE: $\pm 0.05\text{mm}$



Material:
Housing: PBT+30% Glass filled ,UL94V-0
Contacts: Brass ,Gold Plating or
Gold Plating on Contact Arer,
Tin on Solder Tail.
Shell: Steel, Nickel Plating

Electrical Characteristics:
Current Rating: 5 AMP
Insulator Resistance: 1000M Ω Min. at DC 500V
Withstanding Voltage: 500V AC (rms) for 1 minute
Contact Resistance: 20m Ω Max. Initial
Operating Temperature: $-40^{\circ}\text{C} \sim +105^{\circ}\text{C}$

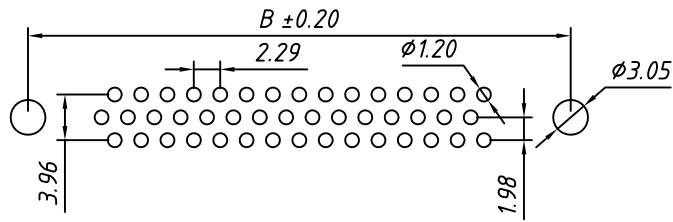
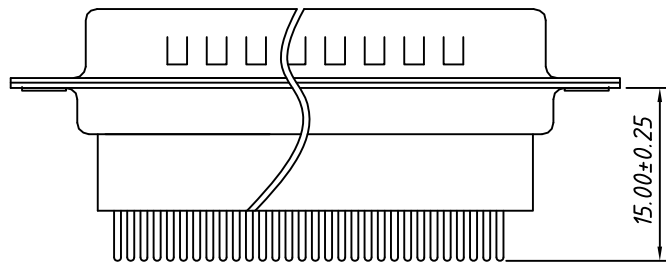
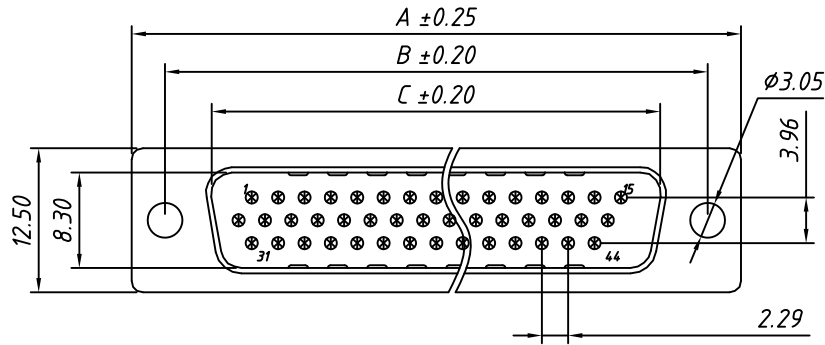
Order Information

L - KLS1 - 172 - XX - F - B
RoHS _____
D-SUB Connector, _____
3 Row Through Hole, Type:172
XX-No. of 15,26,44,62pins _____
Connector type: M-Male F-Female _____
Housing Color: _____
L-Blue B-Black W-White

Number of Contacts	DIMENSION		
	A ± 0.25	B ± 0.20	C ± 0.20
15	30.80	24.99	16.30
26	39.20	33.30	24.60
44	53.10	47.04	38.30
62	69.34	63.50	54.80

GENERAL TOLERANCE	PROJECTION		Description:
X. ± 0.30	UNITS	mm	D-SUB Connector, High Profile, Through Hole, Female
.X ± 0.25	SCALE	1:1	
.XX ± 0.20	Draw by:	Daniel	KLS P/N: L-KLS1-172-XX-F-B
ANGLE TOLERANCE	Check by:	Daniel	NingBo KLS ELECTRONIC CO.,L TD.
X. $\pm 3^{\circ}$	Date	2018-03-01	
.X $\pm 2^{\circ}$	SHEET	1 OF 1	
.XX $\pm 1^{\circ}$			

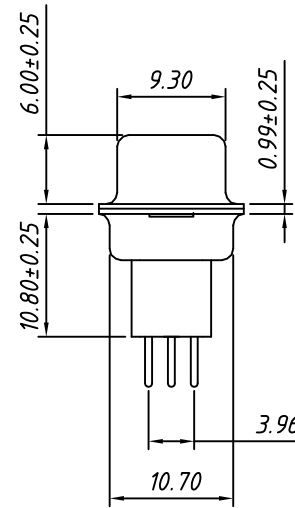
1 RoHS Compliant



Number of Contacts	DIMENSION		
	A ± 0.25	B ± 0.20	C ± 0.20
15	30.80	24.99	16.90
26	39.20	33.30	25.25
44	53.10	47.04	38.96
62	69.34	63.50	55.42

Material:
Housing: PBT+30% Glass filled, UL94V-0
Contacts: Brass, Gold Plating or Gold Plating on Contact Area, Tin on Solder Tail
Shell: Steel, Nickel Plating

Electrical Characteristics:
Current Rating: 5 AMP
Insulator Resistance: 1000M Ω Min. at DC 500V
Withstanding Voltage: 500V AC (rms) for 1 minute
Contact Resistance: 20m Ω Max. Initial
Operating Temperature: $-40^{\circ}\text{C} \sim +105^{\circ}\text{C}$

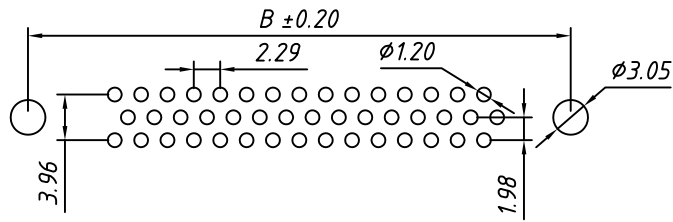
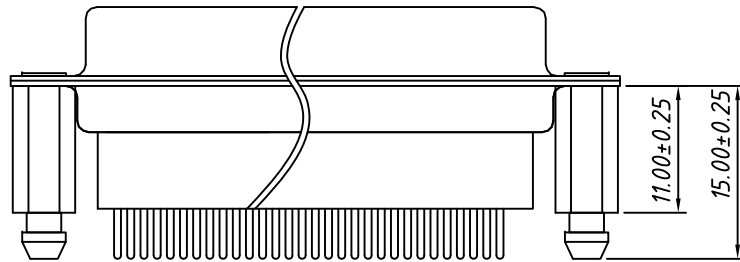
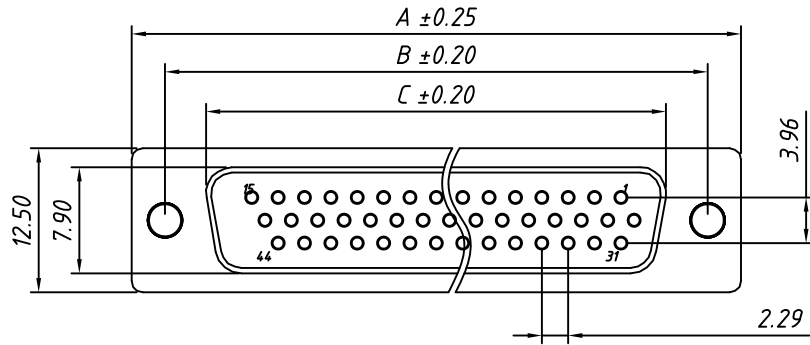


Order Information

L - KLS1 - 172 - XX - M - B
RoHS
D-SUB Connector, 3 Row Through Hole, Type: 172
XX - No. of 15, 26, 44, 62 pins
Connector type: M - Male F - Female
Housing Color: L - Blue B - Black W - White

GENERAL TOLERANCE	PROJECTION		Description:
X. ± 0.30	UNITS	mm	D-SUB Connector, High Profilent, Through Hole, Male
.X ± 0.25	SCALE	1:1	
.XX ± 0.20	Draw by:	Daniel	KLS P/N: L-KLS1-172-XX-M-B
ANGLE TOLERANCE	Check by:	Daniel	NingBo KLS ELECTRONIC CO., L TD.
X. $\pm 3^{\circ}$	Date	2018-03-01	
.X $\pm 2^{\circ}$	SHEET	1 OF 1	
.XX $\pm 1^{\circ}$			

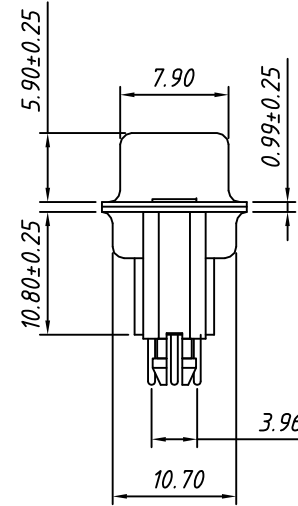
1 RoHS Compliant



RECOMMENDED PCB LAYOUT
TOLERANCE:±0.05mm

Material:
Housing: PBT+30% Glass filled ,UL94V-0
Contacts: Brass ,Gold Plating or
Gold Plating on Contact Arer,
Tin on Solder Tail.
Shell: Steel, Nickel Plating

Electrical Characteristics:
Current Rating: 5 AMP
Insulator Resistance: 1000MΩ Min. at DC 500V
Withstanding Voltage: 500V AC (rms) for 1 minute
Contact Resistance: 20mΩ Max. Initial
Operating Temperature: -40°C ~ +105°C



Order Information

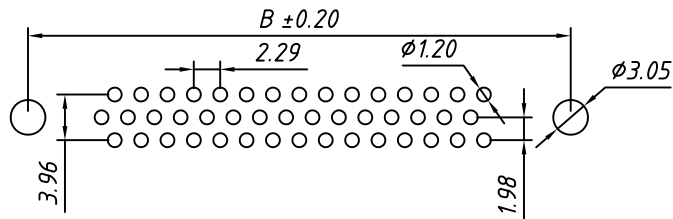
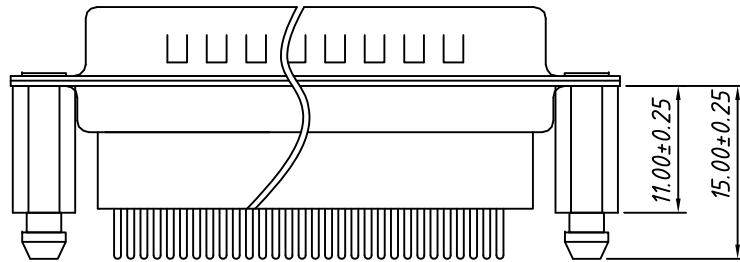
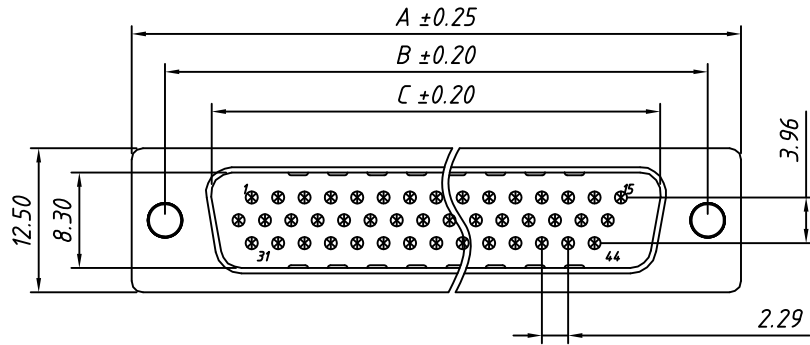
L - KLS1 - 172B - XX - F - B

RoHS
D-SUB Connector,
3 Row Through Hole,Riveting Later Harpoons,Type:172B
XX-No. of 15,26,44,62pins
Connector type: M-Male F-Female
Housing Color:
L-Blue B-Black W-White

Number of Contacts	DIMENSION		
	A±0.25	B±0.20	C±0.20
15	30.80	24.99	16.30
26	39.20	33.30	24.60
44	53.10	47.04	38.30
62	69.34	63.50	54.80

GENERAL TOLERANCE	PROJECTION		Description:
X. ±0.30	UNITS	mm	D-SUB Connector,High Profile, Through Hole,Female,Riveting Later Harpoons
.X ±0.25	SCALE	1:1	
.XX ±0.20	Draw by:	Daniel	KLS P/N: L-KLS1-172B-XX-F-B
ANGLE TOLERANCE	Check by:	Daniel	
X. ±3°	Date	2018-03-01	NingBo KLS ELECTRONIC CO.,L TD.
.X ±2°	SHEET	1 OF 1	
.XX ±1°			

1 RoHS Compliant



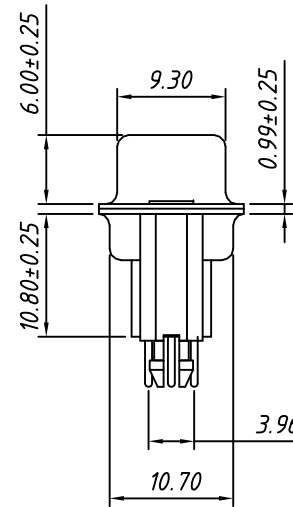
RECOMMENDED PCB LAYOUT
TOLERANCE: ±0.05mm

Number of Contacts	DIMENSION		
	A±0.25	B±0.20	C±0.20
15	30.80	24.99	16.90
26	39.20	33.30	25.25
44	53.10	47.04	38.96
62	69.34	63.50	55.42

Material:
Housing: PBT+30% Glass filled, UL94V-0
Contacts: Brass, Gold Plating or
Gold Plating on Contact Area,
Tin on Solder Tail.
Shell: Steel, Nickel Plating

Electrical Characteristics:
Current Rating: 5 AMP
Insulator Resistance: 1000MΩ Min. at DC 500V
Withstanding Voltage: 500V AC (rms) for 1 minute
Contact Resistance: 20mΩ Max. Initial
Operating Temperature: -40°C ~ +105°C

Call waiting force		
Contacts	Insertion	Withdraw
09M/09F	≤4.0kgf	≥1.8kgf
15M/15F	≤4.5kgf	≥2.0kgf
25M/25F	≤6.0kgf	≥2.5kgf
37M/37F	≤8.0kgf	≥3.5kgf



Order Information

L - KLS1 - 172B - XX - M - B

RoHS

D-SUB Connector,
3 Row Through Hole, Riveting Later Harpoons, Type: 172B

XX-No. of 15, 26, 44, 62 pins

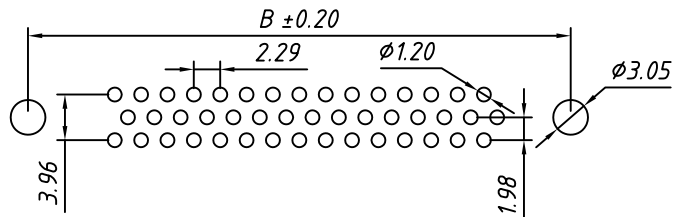
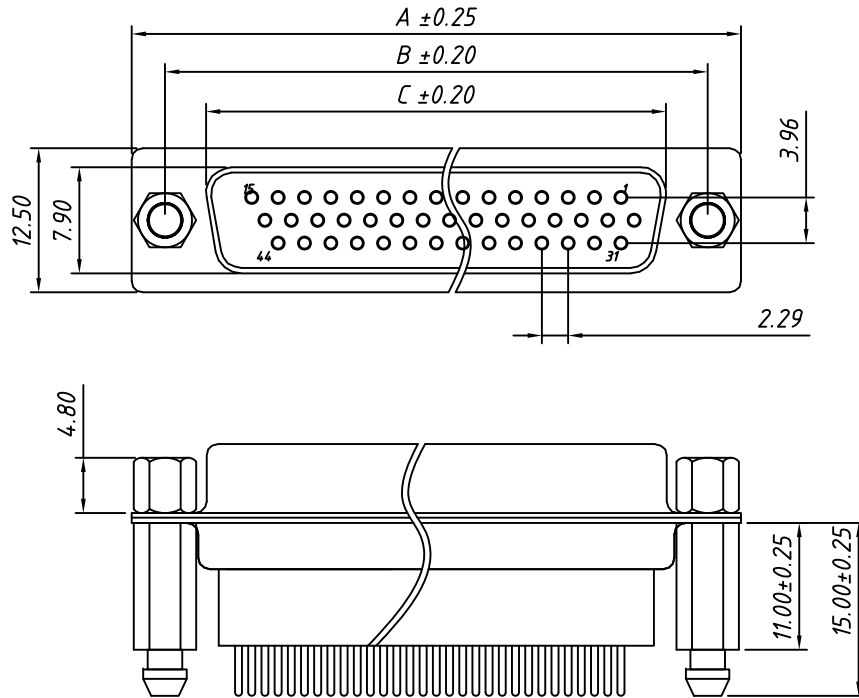
Connector type: M-Male F-Female

Housing Color:

L-Blue B-Black W-White

GENERAL TOLERANCE	PROJECTION		Description:
X. ±0.30	UNITS	mm	D-SUB Connector, High Profile, Through Hole, Male, Riveting Later Harpoons
.X ±0.25	SCALE	1:1	
.XX ±0.20	Draw by:	Daniel	KLS P/N: L-KLS1-172B-XX-M-B
ANGLE TOLERANCE	Check by:	Daniel	
X. ±3°	Date	2018-03-01	NingBo KLS ELECTRONIC CO., L TD.
.X ±2°	SHEET	1 OF 1	
.XX ±1°			

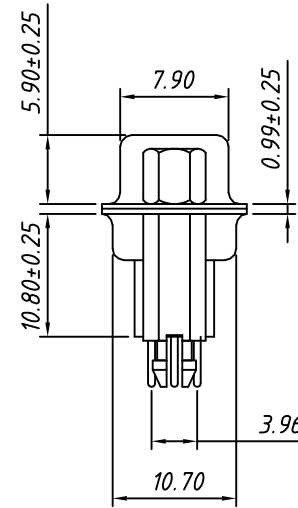
1 RoHS Compliant



RECOMMENDED PCB LAYOUT
TOLERANCE: ±0.05mm

Material:
Housing: PBT+30% Glass filled ,UL94V-0
Contacts: Brass ,Gold Plating or
Gold Plating on Contact Arer,
Tin on Solder Tail.
Shell: Steel, Nickel Plating

Electrical Characteristics:
Current Rating: 5 AMP
Insulator Resistance: 1000MΩ Min. at DC 500V
Withstanding Voltage: 500V AC (rms) for 1 minute
Contact Resistance: 20mΩ Max. Initial
Operating Temperature: -40°C ~ +105°C



Order Information

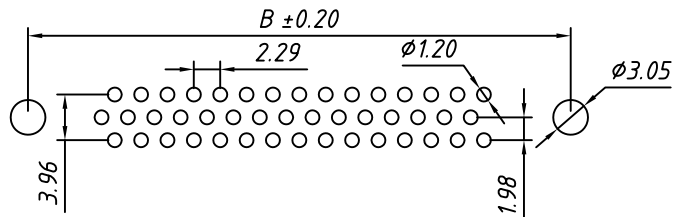
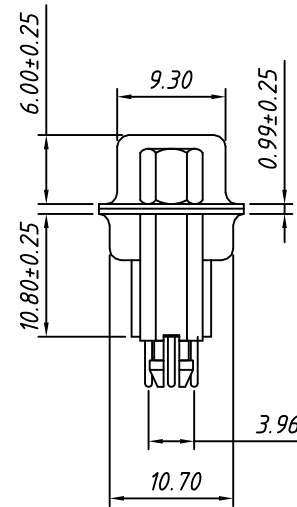
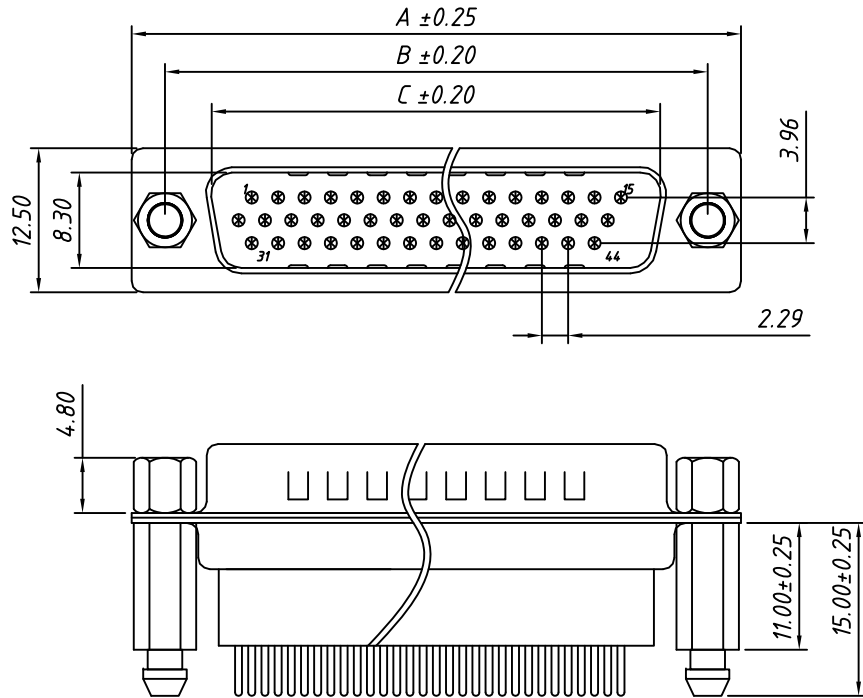
L - KLS1 - 172C - XX - F - B

RoHS
D-SUB Connector,
3 Row Through Hole,After Lock Screw Rivet Harpoons
Type:172C
XX-No.of 15,26,44,62pins
Connector type: M-Male F-Female
Housing Color:
L-Blue B-Black W-White

Number of Contacts	DIMENSION		
	A±0.25	B±0.20	C±0.20
15	30.80	24.99	16.30
26	39.20	33.30	24.60
44	53.10	47.04	38.30
62	69.34	63.50	54.80

GENERAL TOLERANCE	PROJECTION		Description:
X. ±0.30	UNITS	mm	D-SUB Connector,High Profile,
.X ±0.25	SCALE	1:1	Through Hole,Female,After Lock Screw Rivet Harpoons
.XX ±0.20	Draw by:	Daniel	KLS P/N: L-KLS1-172C-XX-F-B
ANGLE TOLERANCE	Check by:	Daniel	NingBo KLS ELECTRONIC CO.,L TD.
X. ±3°	Date	2018-03-01	
.X ±2°	SHEET	1 OF 1	
.XX ±1°			

1 RoHS Compliant



RECOMMENDED PCB LAYOUT
TOLERANCE: ±0.05mm

Material:
Housing: PBT+30% Glass filled ,UL94V-0
Contacts: Brass ,Gold Plating or
Gold Plating on Contact Arer,
Tin on Solder Tail.
Shell: Steel, Nickel Plating

Electrical Characteristics:
Current Rating: 5 AMP
Insulator Resistance: 1000MΩ Min. at DC 500V
Withstanding Voltage: 500V AC (rms) for 1 minute
Contact Resistance: 20mΩ Max. Initial
Operating Temperature: -40°C ~ +105°C

Order Information

L - KLS1 - 172C - XX - M - B

RoHS
D-SUB Connector,
3 Row Through Hole,After Lock Screw Rivet Harpoons
Type:172C

XX-No.of 15,26,44,62pins
Connector type: M-Male F-Female

Housing Color:
L-Blue B-Black W-White

Number of Contacts	DIMENSION		
	A±0.25	B±0.20	C±0.20
15	30.80	24.99	16.90
26	39.20	33.30	25.25
44	53.10	47.04	38.96
62	69.34	63.50	55.42

GENERAL TOLERANCE	PROJECTION		Description:
X. ±0.30	UNITS	mm	D-SUB Connector,High Profile,
.X ±0.25	SCALE	1:1	Through Hole, Male, After Lock Screw Rivet Harpoons
.XX ±0.20	Draw by:	Daniel	KLS P/N: L-KLS1-172C-XX-M-B
ANGLE TOLERANCE	Check by:	Daniel	NingBo KLS ELECTRONIC CO.,L TD.
X. ±3°	Date	2018-03-01	
.X ±2°	SHEET	1 OF 1	
.XX ±1°			