

1 2 3 4 5 6 7 8

A A

B B

C C

D D

E E

F F

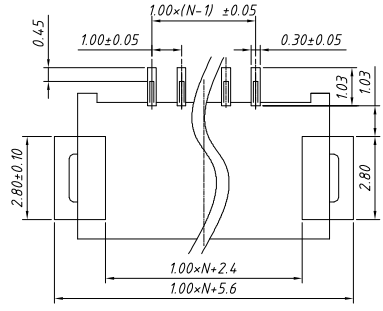
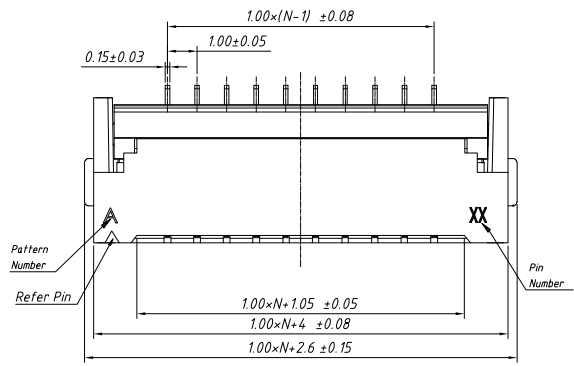
G G

H H

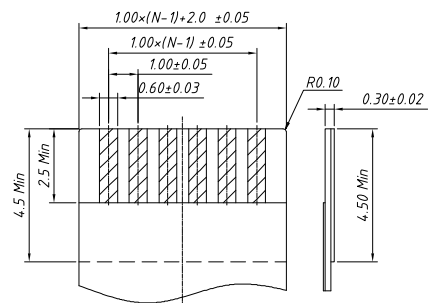
Material
 Housing: Thermoplastic, UL 94 V-0
 Cover: Thermoplastic, UL 94 V-0
 Terminal: Phosphor Bronze
 Stator: Brass

Electrical
 Voltage rating: 50 V
 Current rating: 0.5 A
 Withstanding Voltage: 250 V
 Insulation resistance: 500M Ω .Min.
 Contact resistance: 30 m Ω .max.

Mechanical
 Temp. Range: -40 °C ~ +85 °C



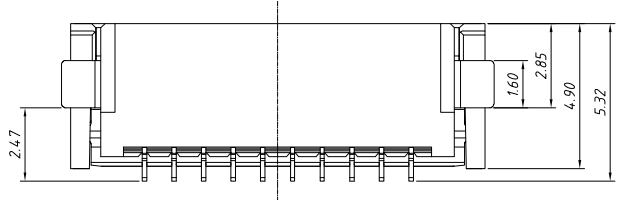
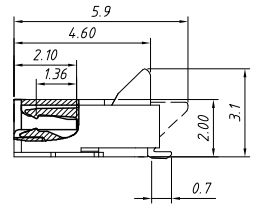
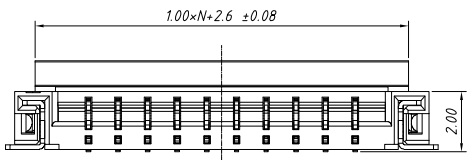
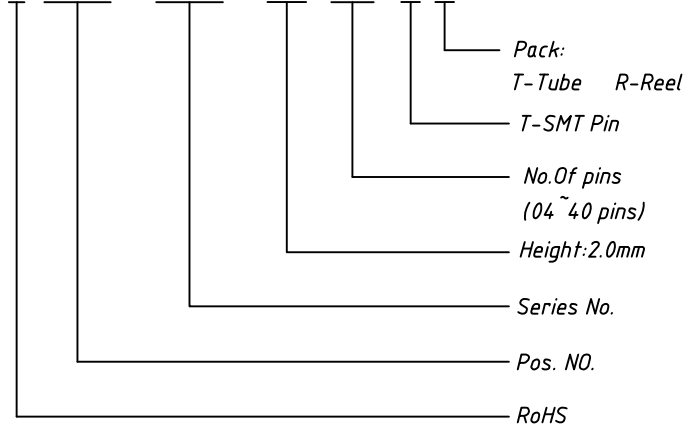
PCB LAYOUT



Proper Cable

Order Information

L-KLS1- 240Q - 2.0- XX -T-R



GENERAL TOLERANCE	ANGLE TOLERANCE	PROJECTION	Description:
.X ±0.15	.X ±5°	UNITS	CONN FFC 1.00mm, SMD, Horizontal, with ZIF
.X ±0.03	.X ±3°	SHEET SIZE	
.XX ±0.05	.XX ±2°	KLS P/N:	
Draw by: Date		2018-03-10	
Check by: Date		2018-03-10	
SCALE	SHEET	OF	L-KLS1-240Q-2.0-XX-T-R

KLS
 NingBo KLS ELECTRONIC CO.,L TD.

1 2 3 4 5 6 7 8