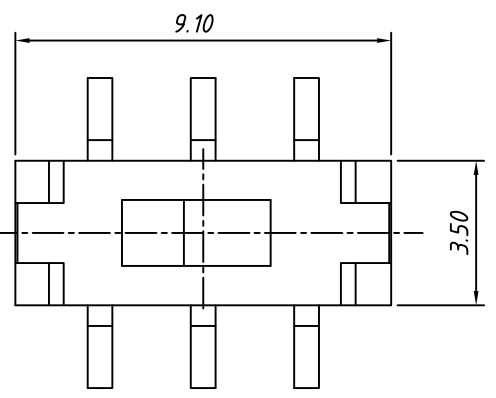
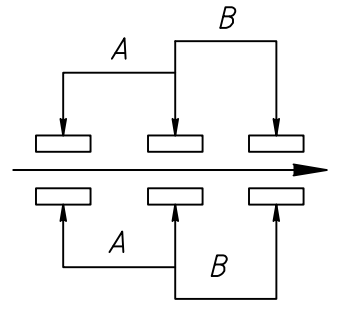


1  
RoHS Compliance

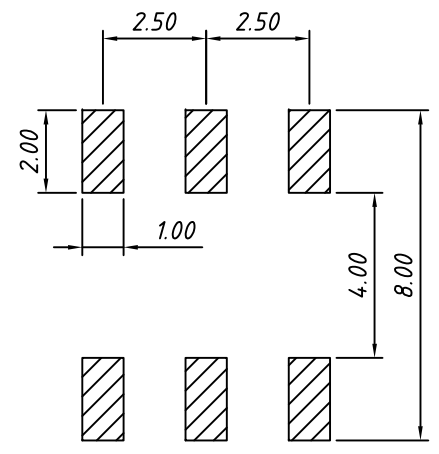
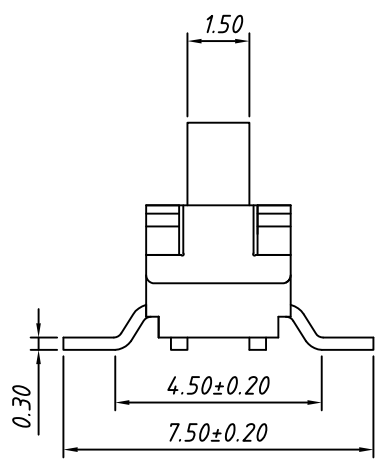
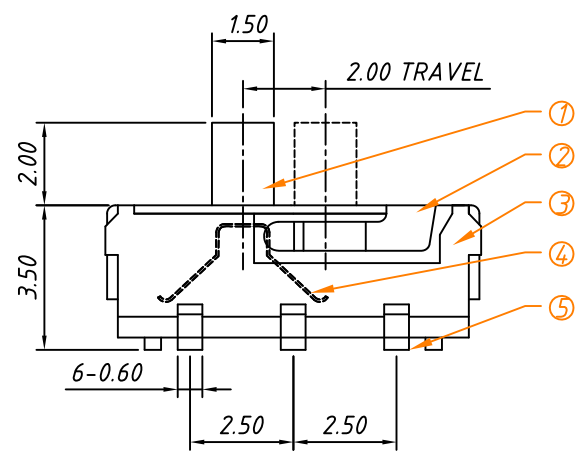


**ELECTRICAL**  
 Rating: 0.3A 30V DC  
 Function: 2P2T  
 Timing: Non-shorting  
 Contact Resistance: 70mΩ Max.  
 Insulation Resistance: 100MΩ Min. at 500V DC  
 Dielectric Strength: AC 500V for 1 min  
 Operating Temper: -20°C ~ +80°C  
 Operating Force: 250 ± 150gf  
 Life Test: 10000 Cycles




CIRCUIT

**Order Information:**  
 L-KLS7-MSS-2235S -B R  
 RoHS \_\_\_\_\_  
 DPDT \_\_\_\_\_  
 STEM Color: \_\_\_\_\_  
 B-Black  
 PACKING: \_\_\_\_\_  
 R-Tape & Reel



PCB LAYOUT

NO.	PARTS	MATERIAL	FINISHING & COLOR	Q'TY
5	TERMINAL A/B/C	C2680	Ag PLATED	6
4	CONTACT	C5210	Ag PLATED	2
3	BOTTOM	PA46	Black	1
2	COVER	SUS	Natural	1
1	STEM	PA46	Black	1

GENERAL TOLERANCE	PROJECTION	Symbol	Description:
X. ±0.20	UNITS	mm	Mini Slide Switch, 9.0x3.5x3.5mm, DPDT SMD Vertical
	SCALE	1:1	
	Draw by:	Daniel	
ANGLE TOLERANCE	Check by:	Daniel	KLS P/N: L-KLS7-MSS-2235S
±3°	Date	2020-08-30	 NingBo KLS ELECTRONIC CO.,L TD.
	SHEET	1 OF 1	