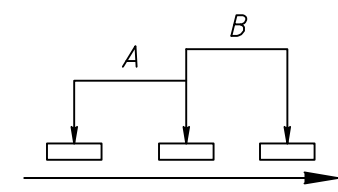
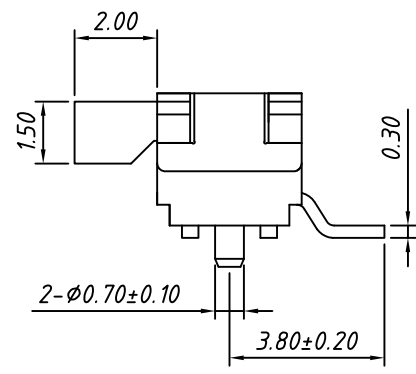
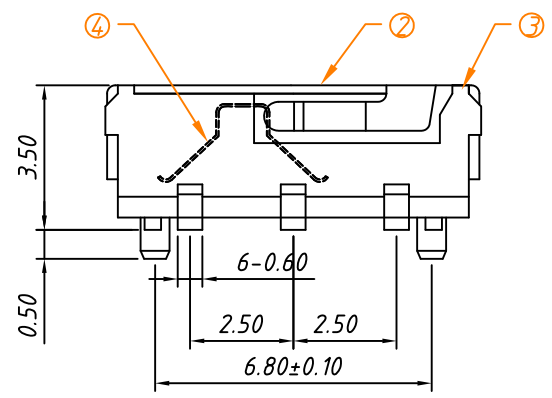
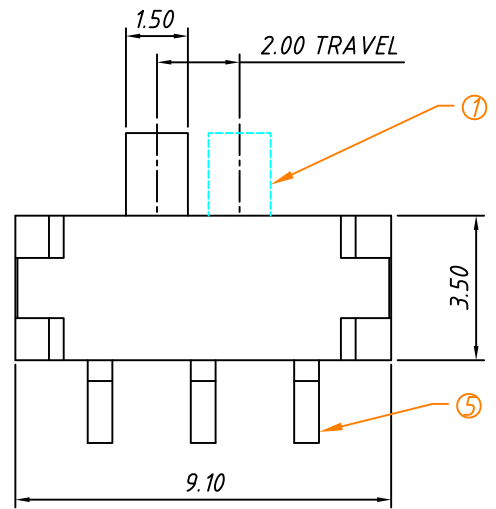
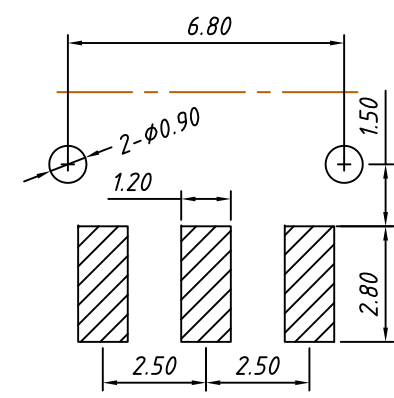


1
RoHS Compliance



CIRCUIT



PCB LAYOUT

ELECTRICAL
 Rating: 0.3A 30V DC
 Function: 1P2T
 Timing: Non-shorting
 Contact Resistance: 70mΩ Max.
 Insulation Resistance: 100MΩ Min. at 500V DC
 Dielectric Strength: AC 500V for 1 min
 Operating Temper: -20°C ~ +80°C
 Operating Force: 250 ± 150gf
 Life Test: 10000 Cycles

Order Information:
 L-KLS7-MSS-1245S -B R
 RoHS _____
 SPDT _____
 STEM Color: _____
 B-Black
 PACKING: _____
 R-Tape & Reel

NO.	PARTS	MATERIAL	FINISHING & COLOR	Q'TY
5	TERMINAL A/B/C	C2680	Ag PLATED	6
4	CONTACT	C5210	Ag PLATED	2
3	BOTTOM	PA46	Black	1
2	COVER	SUS	Natural	1
1	STEM	PA46	Black	1

GENERAL TOLERANCE	PROJECTION	Symbol	Description:
X. ±0.20	UNITS	mm	Mini Slide Switch,
	SCALE	1:1	9.0x3.5x3.5mm, SPDT SMD Horizontal
	Draw by:	Daniel	KLS P/N: L-KLS7-MSS-1245S
ANGLE TOLERANCE	Check by:	Daniel	
±3°	Date	2020-08-30	
	SHEET	1 OF 1	

