

# HCMOS TCXO

## KLS14-OT5032

### Application

- Cellular and Network Equipment

### Features

- Dimensions (5.0×3.2×1.05)
- Ceramic Package
- High Stability  $\pm 2.5\text{ppm} / -30^{\circ}\text{C}\sim +75^{\circ}\text{C}$
- HCMOS Output With Tri-state Function
- Low Current Consumption
- Low Phase Noise, Low Jitter



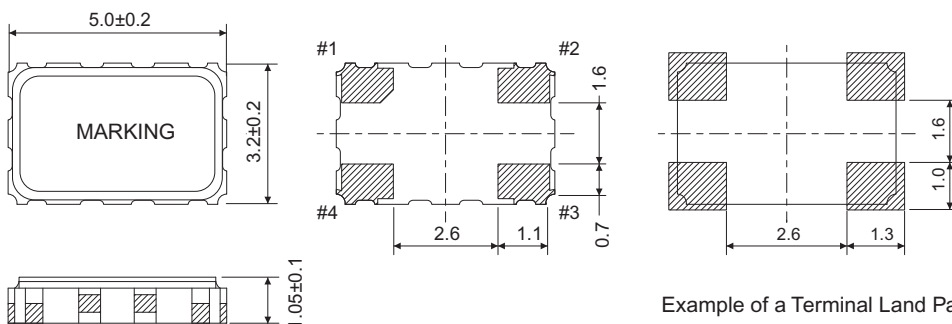
### Specifications



Model	KLS14-OT5032	
Frequency Range	2.500~55.000 MHz	
Nominal Frequency (MHz)	5, 10, 12, 16, 20, 24, 32, 40, 44	
Storage Temperature Range	-40°C~+125°C	
Operating Temperature Range	-30°C~ +75°C	
Frequency Stability	Tolerance at 25°C	$\pm 2.0 \times 10^{-6}$ / (Sixty Minutes After Reflow)
	Temperature (+25°C Basis)	$\pm 2.5 \times 10^{-6}$ / -30°C~ +75°C
	Supply Voltage Change	$\pm 0.2 \times 10^{-6}$ / Vdd $\pm 5\%$
	Load Change	$\pm 0.2 \times 10^{-6}$ / ZL $\pm 10\%$
Power Supply Voltage (Vdd)	+2.5V, +2.8V, +3.3V DC $\pm 10\%$	
Current Consumption	*note / 10uA max (Standby)	
Load capacitance	15pF	
Output Voltage Level	V <sub>OL</sub> : 10%Vdd max. / V <sub>OH</sub> : 90%Vdd min.	
Rise & Fall Time	5ns max. / 10%Vdd - 90%Vdd	
Duty Cycle	45%~55% at 1/2Vdd	
Aging	$\pm 1.0 \times 10^{-6}$ / year at +25°C	
Output Level	C-MOS	
Phase Noise / Jitter	-145dBc / Hz Typ. at 10kHz offset / 1 $\sigma$ 3ps typ.	
Tri-state Function	#1: Floating. or "H" → Output enable / #1: "L" → Output disable (Hi-Z)	

Package quantity: 1,000pcs /Reel

### Outline and Dimensions [unit:mm]



Terminal	Connection
#1	Tri-state
#2	GND
#3	OUTPUT
#4	Vdd

#### Tri-state Function

Tri-state Pin	Output
High or Floating	Active
Low	Hi-impedance

### ORDER INFORMATION

L-KLS14-OT5032 - XXXX- XXX

Voltage: 033=+3.3VDC  
028=+2.8VDC  
025=+2.5VDC

Frequency: 24.000=24.000MHz

RoHS

#### \*Reference / I<sub>dd</sub> Spec (mA max.)

Frequency	4~10MHz	~20MHz	~30MHz	~40MHz	~54MHz
2.5V	3.1	3.7	4.2	4.6	5.5
2.8V	3.4	4.1	4.7	5.2	6.0
3.3V	4.0	4.8	5.5	6.0	7.0