

# CRYSTAL UNIT

## KLS14-MC3215

### Application

- Small Communications Devices

### Features

- Dimensions (3.2x1.5x0.8mm)
- Excellent Reliability Performance.



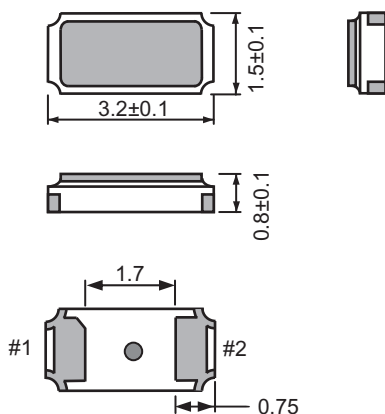
### Specifications



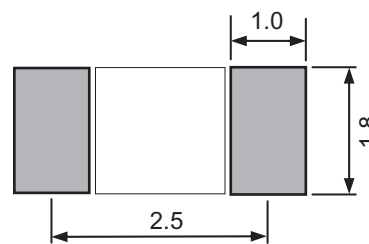
Model	KLS14-MC3215
Nominal frequency range	32.768KHz
Level of drive	0.5μW (1.0μW max.)
Storage temperature range	-55°C~+125°C
Operating temperature range	-40°C~+85°C
Turnover temperature	-25 ± 5°C
Parabolic coefficient	-0.04×10 <sup>-6</sup> /°C <sup>2</sup> Max.
Frequency tolerance (at +25°C)	± 20×10 <sup>-6</sup> , or specify
Equivalent series resistance	70KΩ max.
Load capacitance	12.5pF, or specify
Shunt capacitance	1.0pF max.

Package quantity: 3,000pcs /Reel

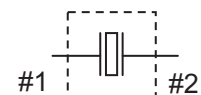
### Outline and Dimensions [unit:mm]



Footprint (Recommended)



TOP VIEW



### ORDER INFORMATION

L-KLS14-MC3215-XXXX-XX-XX-X

Operating Temperature:	C: -40°C~+85°C
Frequency Tolerance:	20=20ppm
Load Capacitance:	12.5=12.5pF
Frequency:	32.768=32.768KHz
RoHS	