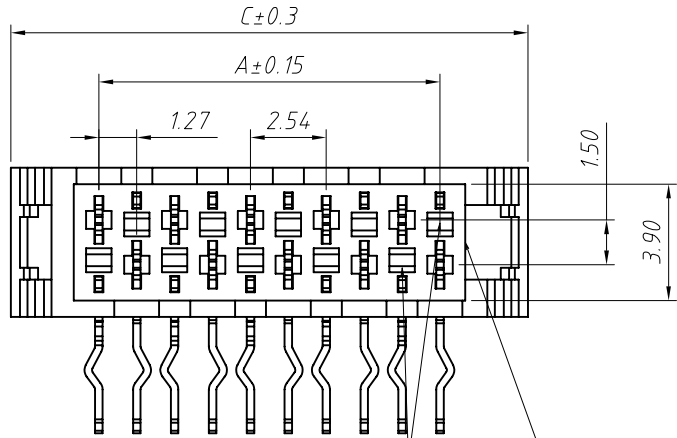


1 RoHS Compliance



REFERENCE MATING INTERFACE PATTERN:  
1.27 STAGGERED PITCH×15 ROW-DISTANCE

POLARISATION SOLT

Poles	DIM.A	DIM.B	DIM.C	Qty/Tube
04	3.81	5.50	9.71	59
06	6.35	8.04	12.25	47
08	8.89	10.58	14.79	39
10	11.43	13.12	17.33	33
12	13.97	15.66	19.87	29
14	16.51	18.20	22.41	25
16	19.05	20.74	24.95	23
18	21.59	23.28	27.49	21
20	24.13	25.82	30.03	19
22	26.67	28.36	32.57	17
24	29.21	30.90	35.11	16
26	31.75	33.44	37.65	15

Material:

Housing: PA46/PA9T UL 94V-0

Contacts: Phosphor bronze

Plating: Sn over 50u" nickel

Electrical Characteristics:

Current Rating: 1.0 AMP

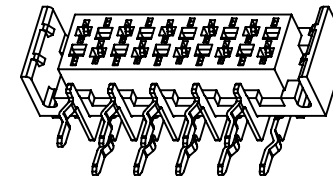
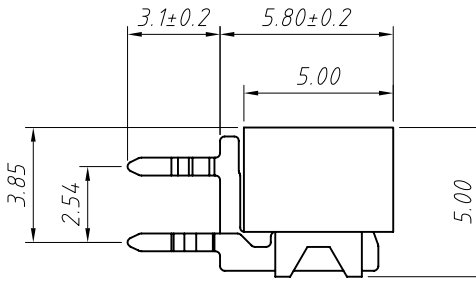
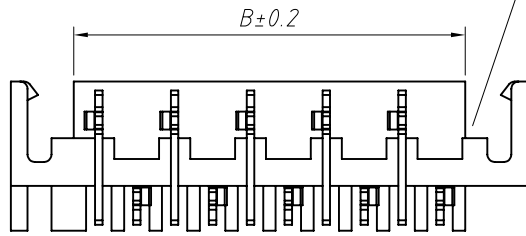
Voltage Rating: 230V AC/DC

Withstand voltage: 500V AC/Minute

Contact Resistance: 20m Ohm max.

Insulator Resistance: 1000M Ohm min.

Operating Temperature: -40°C ~ +105°C



Order Information:

L-KLS1-204AS-XX-R-□-□

L: RoHS

Pitch: 2.54mm

XX-No. of 04 ~ 26pin

Color: R-Red B-Black

Material:

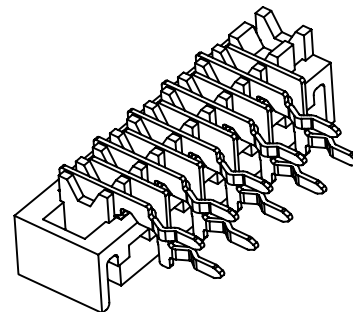
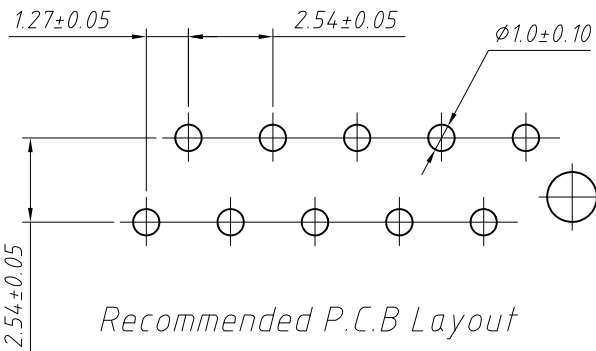
D=PA9T

E=PA46

Packing:

T=Tube

C-R=Cap+Reel



ANGLE TOLERANCE	PROJECTION	Description:
±3°		Micro Match Connector Female DIP 90 With Ear
GENERAL TOLERANCE	UNITS	mm
x.x ±0.30	SHEET SIZE	A4
x.xx ±0.20	Draw:	Daniel 2018-07-10
x.xxx ±0.10	Check:	Daniel 2018-07-10



NingBo KLS ELECTRONIC CO.,LTD.