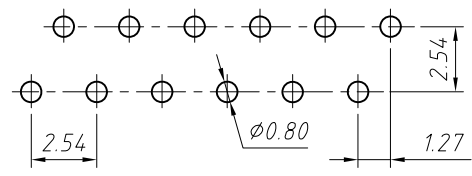
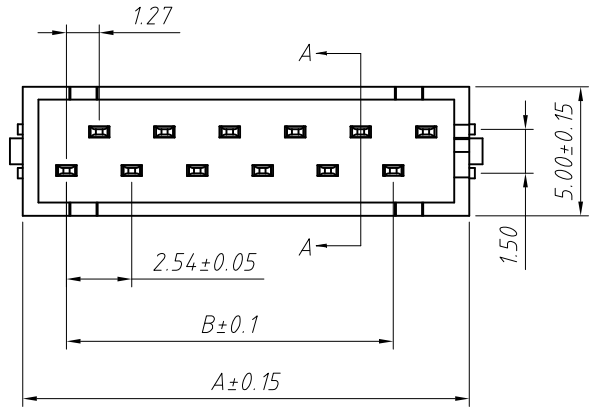


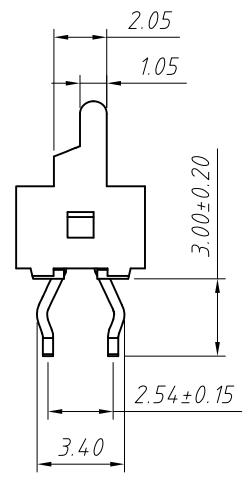
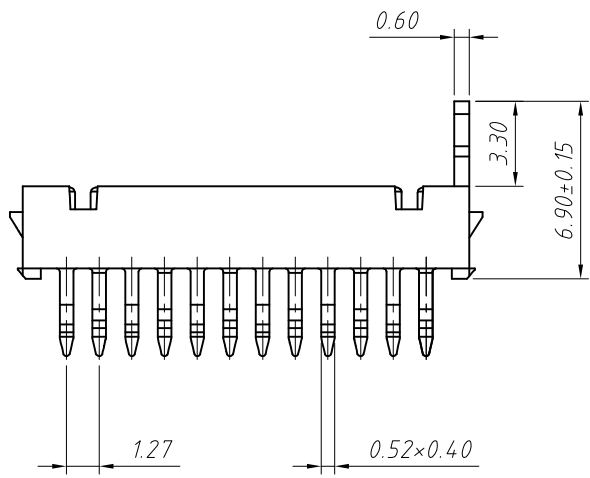
1  
RoHS Compliance



Recommended P.C.B Layout (Top Side)  
(PCB BOARD TOLERANCE±0.05)

Material:  
Housing:PBT / PA46, UL94V-0  
Contacts:Brass  
Plating:Au over Ni

Electrical Characteristics:  
Current Rating: 1.0 AMP  
Contact Resistance: 20m Ohm max.  
Insulator Resistance: 1000M Ohm min.  
Withstand voltage:500V AC  
Operating Temperature: -40°C ~ +105°C



Order Information:  
L-KLS1-204M-XX-R-□-□  
L: RoHS  
Pitch:2.54mm  
XX-No. of 04 ~ 26pin  
Color:R-Red B-Black  
Material:  
A=PBT D=PA9T E=PA46  
Packing:NONE=Tube R=Reel

Poles	DIM.A	DIM.B	Qty/Tube	Poles	DIM.A	DIM.B	Qty/Tube
04	7.20	2.54	68	16	22.44	17.78	24
06	9.74	5.08	52	18	24.98	20.32	22
08	12.28	7.62	42	20	27.52	22.86	20
10	14.82	10.16	36	22	30.06	25.40	18
12	17.36	12.70	31	24	32.60	27.94	17
14	19.90	15.24	27	26	35.14	30.48	16

ANGLE TOLERANCE	PROJECTION	Description:
±3°		Micro Match Connector
GENERAL TOLERANCE	UNITS	mm
x.x	±0.30	SHEET SIZE A4
x.xx	±0.20	Draw: Daniel 2018-07-10
x.xxx	±0.10	Check: Daniel 2018-07-10

L-KLS1-204M-XX-R-□-□

NingBo KLS ELECTRONIC CO.,L TD.