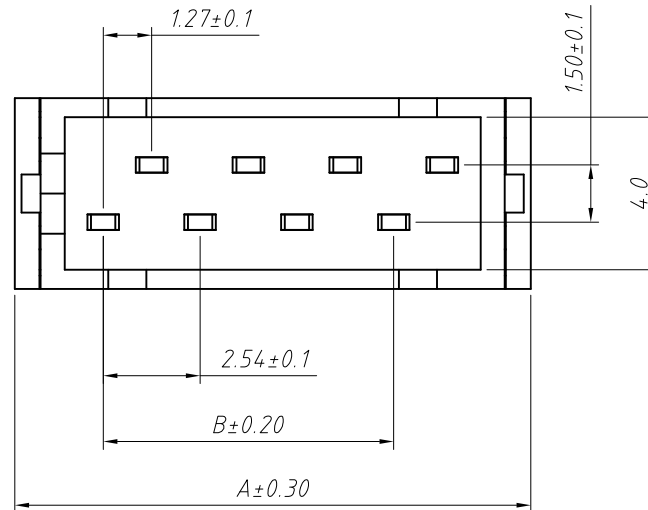
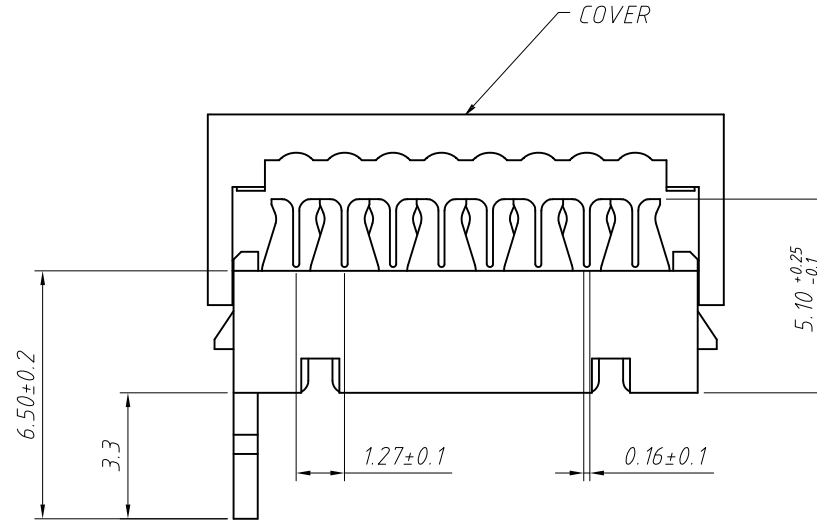
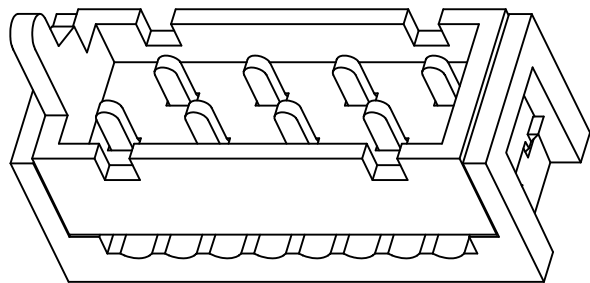
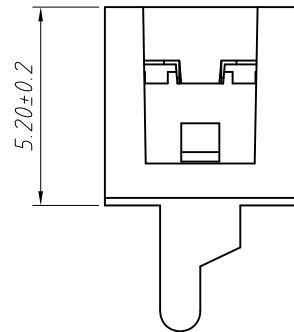
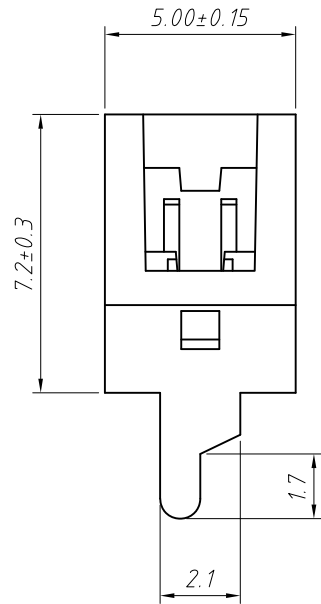


1 RoHS Compliance



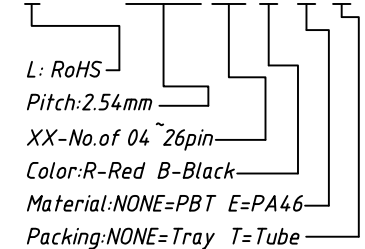
**Material:**  
Housing:PBT Glass Fiber, UL94V-0  
Contacts:Brass  
Plating:Sn over Ni

**Electrical Characteristics:**  
Current Rating: 1.0 AMP  
Contact Resistance: 20m Ohm max.  
Insulator Resistance: 1000M Ohm min.  
Withstand voltage:500V AC  
Operating Temperature: -40°C ~ +105°C

Poles	DIM.A	DIM.B	Qty/Tube
04	8.45	2.54	68
06	10.99	5.08	52
08	13.53	7.62	42
10	16.07	10.16	36
12	18.61	12.70	31
14	21.15	15.24	27
16	23.69	17.78	24
18	26.23	20.32	22
20	28.77	22.86	20
22	31.31	25.40	18
24	33.85	27.94	17
26	36.39	30.48	16

**Order Information:**

L-KLS1-204EN-XX-R-□-□



ANGLE TOLERANCE	PROJECTION	Description:
±3°		Micro Match Connector
GENERAL TOLERANCE	UNITS	mm
x.x ±0.30	SHEET SIZE	A4
x.xx ±0.20	Draw:	Daniel 2018-07-10
x.xxx ±0.10	Check:	Daniel 2018-07-10

NingBo KLS ELECTRONIC CO.,L TD.