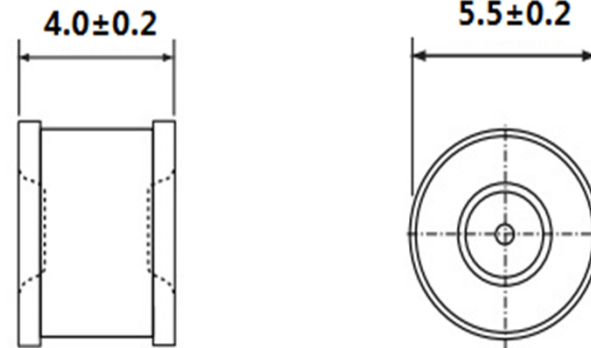
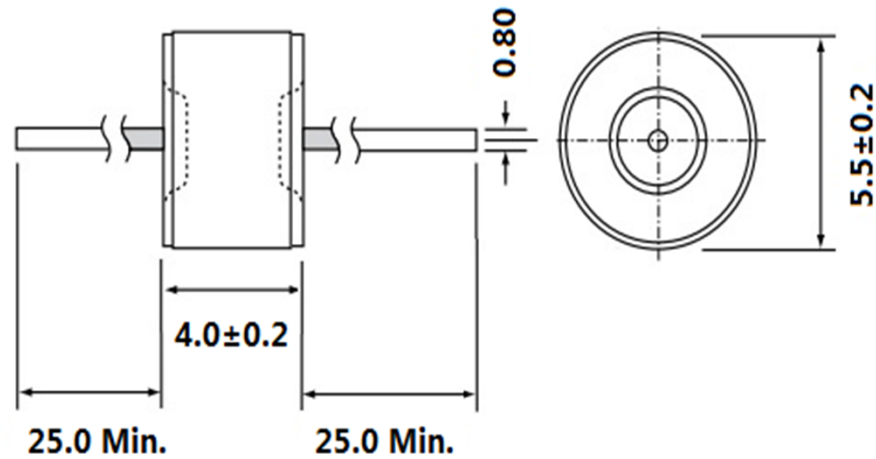



1		2		3		4		5		6		7		8	
RoHS Compliance		P/N		Nominal DC Spark-over voltage	Deviation of VS	Impulse spark-over voltage	Impulse spark-over voltage	Impulse discharge current	Impulse discharge current	Impulse discharge current	Alternating discharge current	Insulation resistance	Capacitance		
With Axial Lead		Without Axial Lead		100V/s		100V/ μ s	1KV/ μ s	10/350 μ s 1cycles	8/20 μ s 10cycles	10/1000 μ s	50Hz 10cycles		1MHz		
				V	V	V	V	KA	KA	A/cycles	A	Ω	pF		
L-KLS5-GDTH5540-2R075L		L-KLS5-GDTH5540-2R075		75	$\pm 25\%$	≤ 500	≤ 600	2.0	10	100/300	5	$\geq 10^8$	≤ 1.0		
L-KLS5-GDTH5540-2R090L		L-KLS5-GDTH5540-2R090		90	$\pm 25\%$	≤ 500	≤ 600	2.0	10	100/300	5	$\geq 10^8$	≤ 1.0		
L-KLS5-GDTH5540-2R150L		L-KLS5-GDTH5540-2R150		150	$\pm 20\%$	≤ 500	≤ 650	2.0	10	100/300	5	$\geq 10^9$	≤ 1.0		
L-KLS5-GDTH5540-2R230L		L-KLS5-GDTH5540-2R230		230	$\pm 20\%$	≤ 600	≤ 700	2.0	10	100/300	5	$\geq 10^9$	≤ 1.0		
L-KLS5-GDTH5540-2R350L		L-KLS5-GDTH5540-2R350		350	$\pm 20\%$	≤ 800	≤ 900	2.0	10	100/300	5	$\geq 10^9$	≤ 1.0		
L-KLS5-GDTH5540-2R470L		L-KLS5-GDTH5540-2R470		470	$\pm 20\%$	≤ 1000	≤ 1100	2.0	5	100/300	5	$\geq 10^9$	≤ 1.0		
L-KLS5-GDTH5540-2R600L		L-KLS5-GDTH5540-2R600		600	$\pm 20\%$	≤ 1200	≤ 1300	2.0	5	100/300	5	$\geq 10^9$	≤ 1.0		

With Axial Lead

Without Axial Lead



PROJECTION		Description:		5.5x4.0mm 2 POLE THROUGH HOLE GAS DISCHARGE TUBE	
UNITS		mm	KLS P/N:	L-KLS5-GDTH5540-XXXX	
SHEET SIZE		A4			
Draw:	Daniel	2020-06-29	 NingBo KLS ELECTRONIC CO.,L TD.		
Check:	Daniel	2020-06-29			