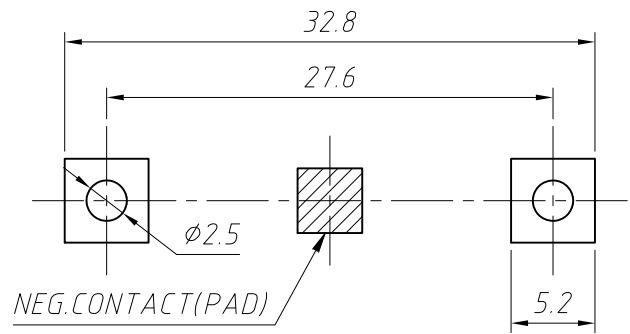
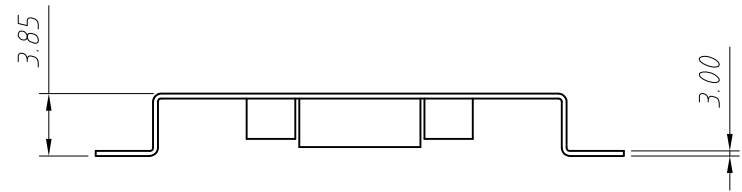
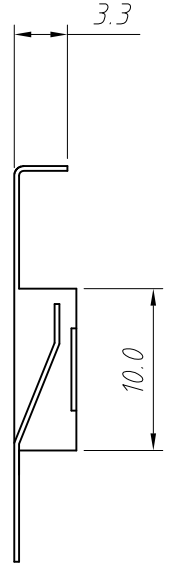
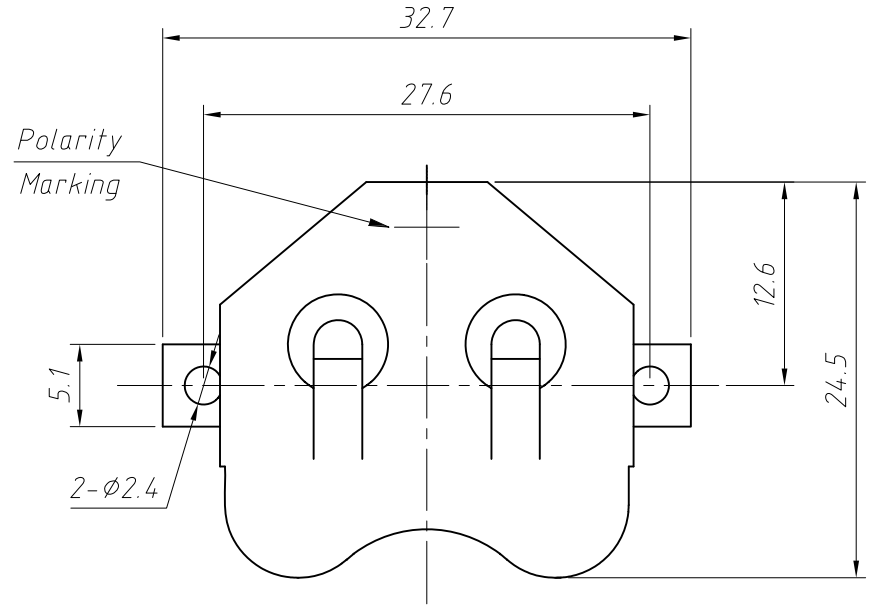


1  
RoHS Compliance



PCB Mounting Layout

Notes:

1.Material:

a. 0.25mm Thick Phosphor Bronze Nickel Plated

2.Electric:

- a.Current Rating:3A AC/DC
- b.Dielectric Voltage:500V AC One Sec Level
- c.Contact Resistance:30mΩ max.
- d.Insulator Resistance:100MΩ min.
- e.Operating Temperature:-40° C ~ +105° C
- f.Humidity:40° C and 90-95% RH For 48 Hours

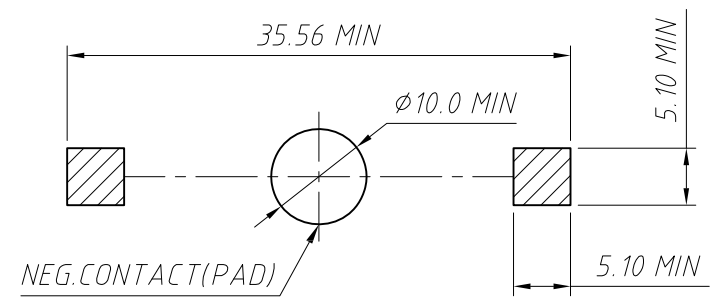
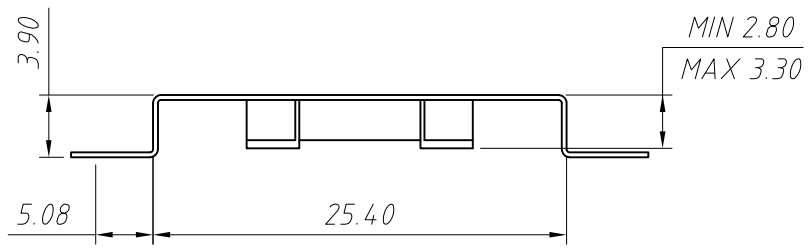
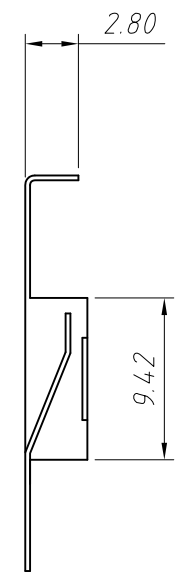
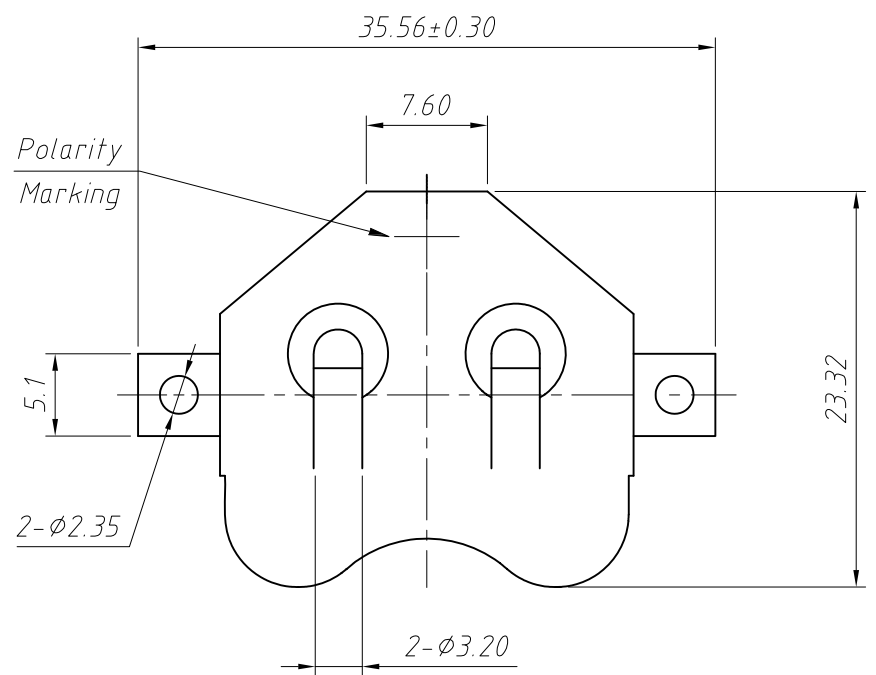
3.RoHS Compliant

ANGLE TOLERANCE	PROJECTION	Description:	
±3°		CR2430 Battery button	
GENERAL TOLERANCE	UNITS	mm	KLS P/N:
x.x ±0.30	SHEET SIZE	A4	L-KLS5-CR2430-06A
x.xx ±0.20	Draw:	Daniel	2018-07-10
x.xxx ±0.10	Check:	Daniel	2018-07-10



NingBo KLS ELECTRONIC CO.,LTD.

1  
RoHS Compliance



PCB Mounting Layout

Notes:

1.Material:

a. 0.25mm Thick Phosphor Bronze Nickel Plated

2.Electric:

- a.Current Rating:3A AC/DC
- b.Dielectric Voltage:500V AC One Sec Level
- c.Contact Resistance:30mΩ max.
- d.Insulator Resistance:100MΩ min.
- e.Operating Temperature:-40° C ~ +105° C
- f.Humidity:40° C and 90-95% RH For 48 Hours

3.RoHS Compliant

ANGLE TOLERANCE	PROJECTION	Description:	CR2430 Battery button	
±3°				
GENERAL TOLERANCE	UNITS	mm	KLS P/N:	L-KLS5-CR2430-06
x.x ±0.30	SHEET SIZE	A4		
x.xx ±0.20	Draw:	Daniel	2018-07-10	NingBo KLS ELECTRONIC CO.,L TD.
x.xxx ±0.10	Check:	Daniel	2018-07-10	