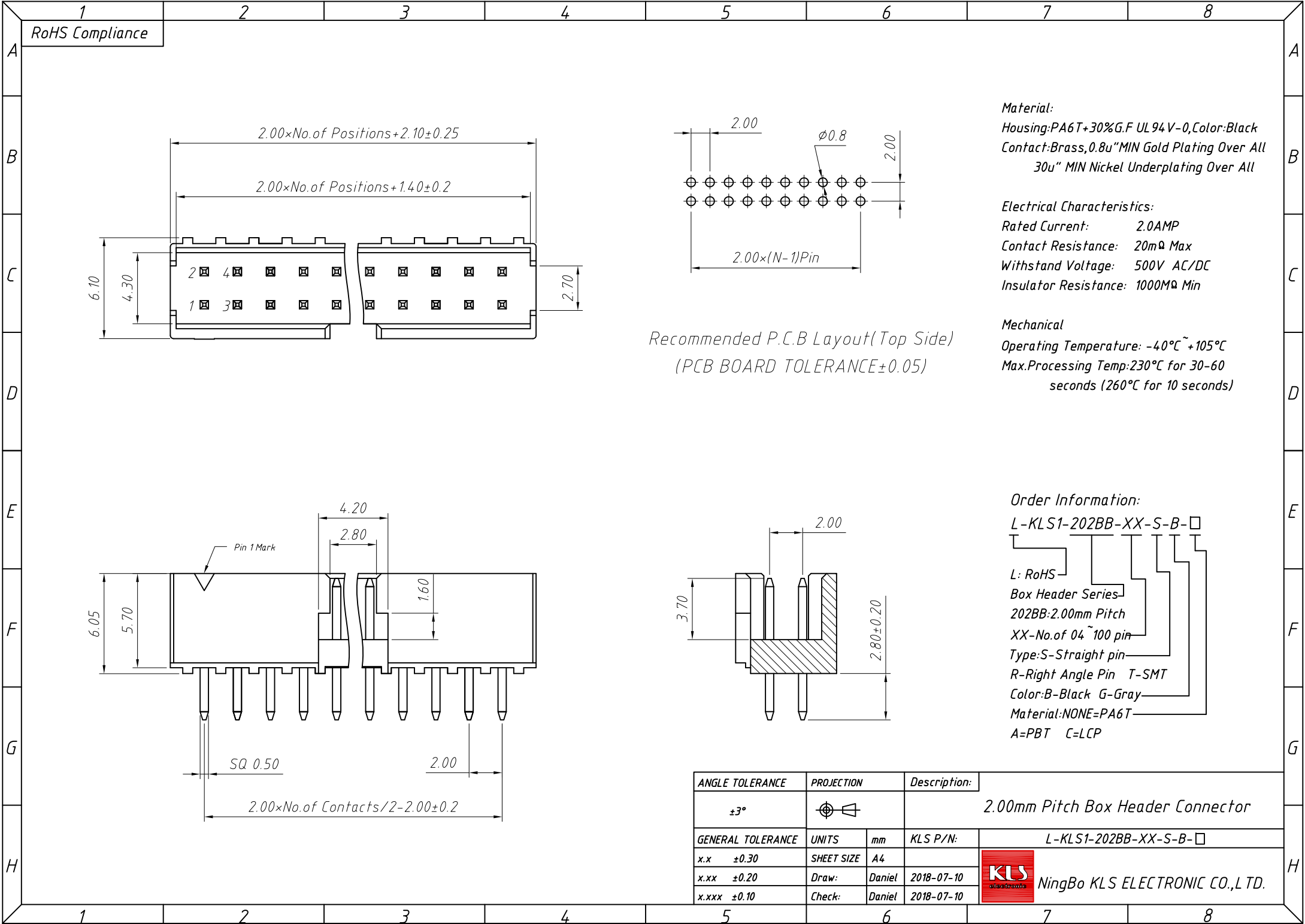


1
RoHS Compliance



Material:
 Housing: PA6T+30%G.F UL94V-0, Color: Black
 Contact: Brass, 0.8u" MIN Gold Plating Over All
 30u" MIN Nickel Underplating Over All

Electrical Characteristics:
 Rated Current: 2.0AMP
 Contact Resistance: 20mΩ Max
 Withstand Voltage: 500V AC/DC
 Insulator Resistance: 1000MΩ Min

Mechanical
 Operating Temperature: -40°C ~ +105°C
 Max. Processing Temp: 230°C for 30-60 seconds (260°C for 10 seconds)

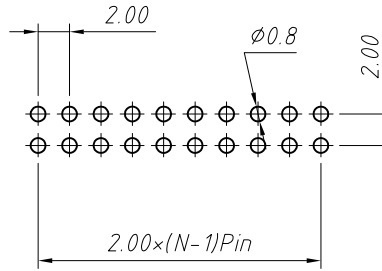
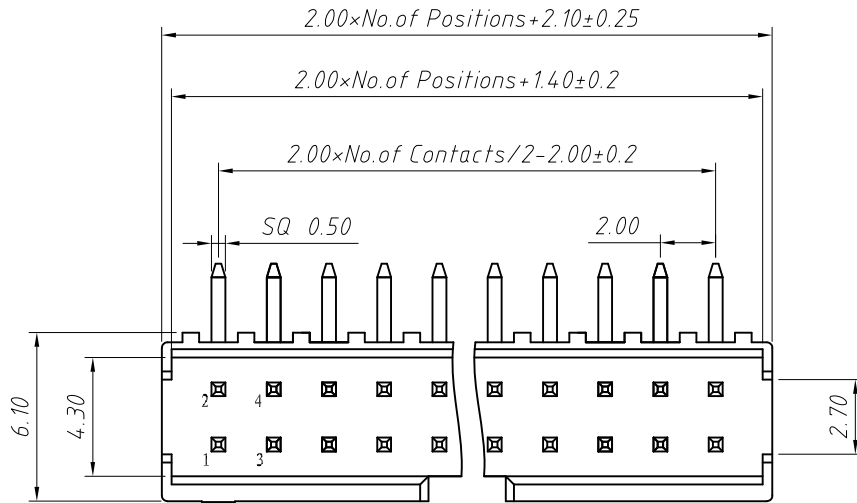
Recommended P.C.B Layout (Top Side)
 (PCB BOARD TOLERANCE ±0.05)

Order Information:
 L-KLS1-202BB-XX-S-B-□
 L: RoHS
 Box Header Series
 202BB: 2.00mm Pitch
 XX-No. of 04 ~ 100 pin
 Type: S-Straight pin
 R-Right Angle Pin T-SMT
 Color: B-Black G-Gray
 Material: NONE=PA6T
 A=PBT C=LCP

ANGLE TOLERANCE	PROJECTION	Description:	
±3°		2.00mm Pitch Box Header Connector	
GENERAL TOLERANCE	UNITS	mm	KLS P/N:
x.x ±0.30	SHEET SIZE	A4	L-KLS1-202BB-XX-S-B-□
x.xx ±0.20	Draw:	Daniel	2018-07-10
x.xxx ±0.10	Check:	Daniel	2018-07-10



1 RoHS Compliance



Material:

Housing: PA6T+30%G.F UL94V-0, Color: Black
 Contact: Brass, 0.8u" MIN Gold Plating Over All
 30u" MIN Nickel Underplating Over All

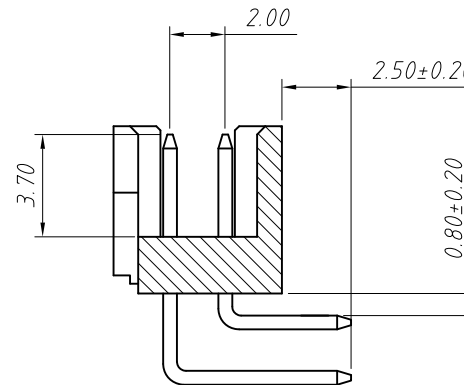
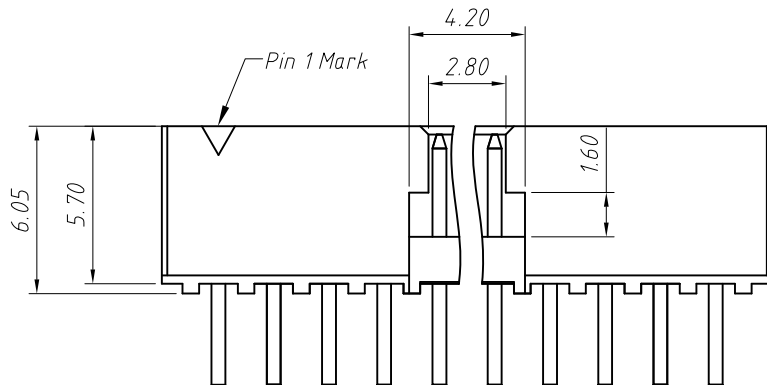
Electrical Characteristics:

Rated Current: 2.0AMP
 Contact Resistance: 20mΩ Max
 Withstand Voltage: 500V AC/DC
 Insulator Resistance: 1000MΩ Min

Mechanical

Operating Temperature: $-40^{\circ}\text{C} \sim +105^{\circ}\text{C}$
 Max. Processing Temp: 230°C for 30-60 seconds (260°C for 10 seconds)

Recommended P.C.B Layout (Top Side)
 (PCB BOARD TOLERANCE ± 0.05)



Order Information:

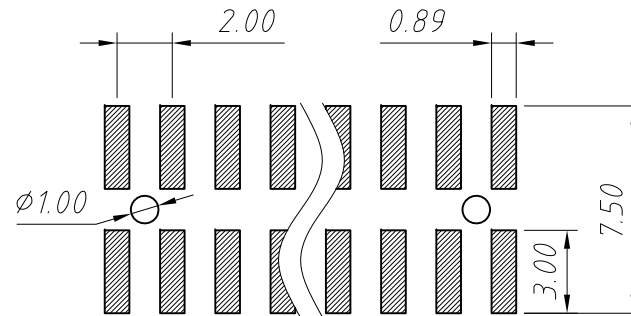
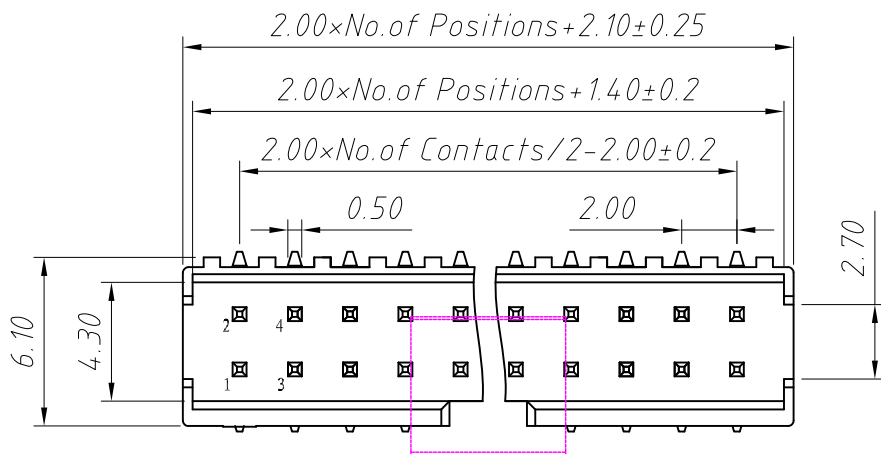
L-KLS1-202BB-XX-R-B-□

L: RoHS
 Box Header Series
 202BB: 2.00mm Pitch
 XX-No. of 04 ~ 100 pin
 Type: S-Straight pin
 R-Right Angle Pin T-SMT
 Color: B-Black G-Gray
 Material: NONE=PA6T
 A=PBT C=LCP

ANGLE TOLERANCE	PROJECTION		Description:
$\pm 3^{\circ}$			2.00mm Pitch Box Header Connector
GENERAL TOLERANCE	UNITS	mm	KLS P/N:
x.x ± 0.30	SHEET SIZE	A4	L-KLS1-202BB-XX-R-B-□
x.xx ± 0.20	Draw:	Daniel	2018-07-10
x.xxx ± 0.10	Check:	Daniel	2018-07-10



NingBo KLS ELECTRONIC CO.,LTD.

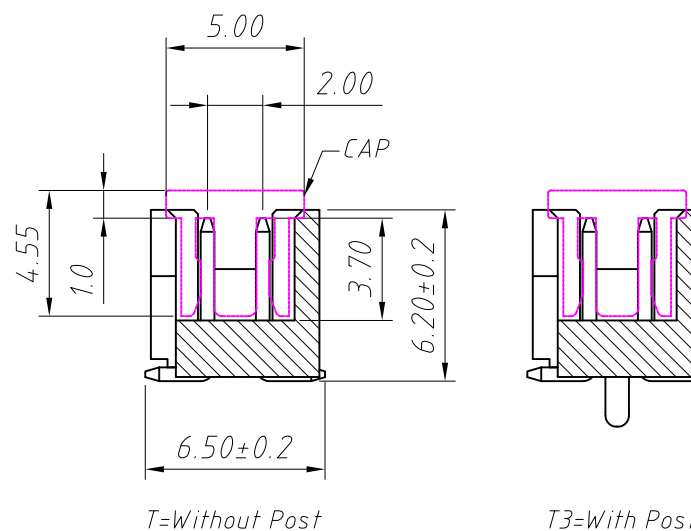
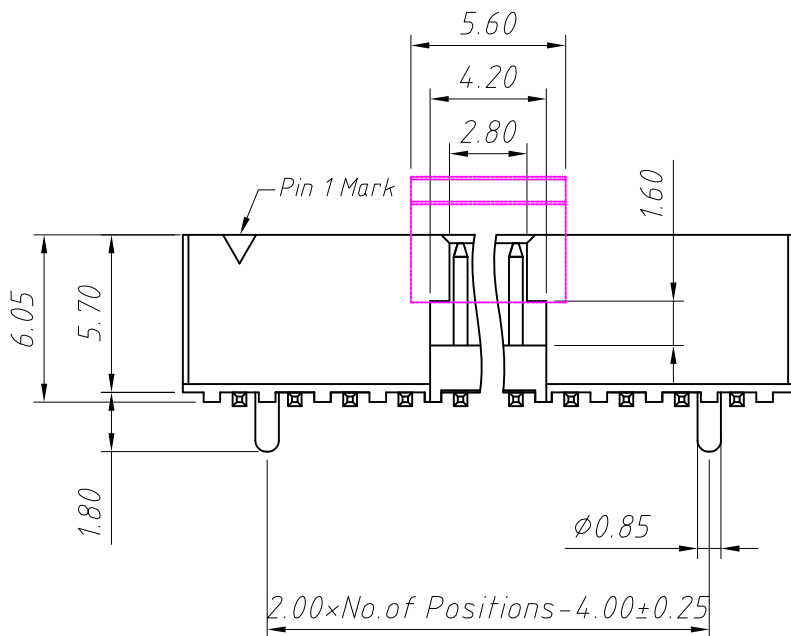


Recommended PCB Layout (Top Side)
PCB Board Tolerance ±0.05

Material:
Housing: PA6T+30%G.F UL 94V-0, Color: Black
Contact: Brass, 0.8u" MIN Gold Plating Over All
30u" MIN Nickel Underplating Over All


Electrical Characteristics:
Rated Current: 2.0AMP
Contact Resistance: 20mΩ Max
Withstand Voltage: 500V AC/DC
Insulator Resistance: 1000MΩ Min

Mechanical
Operating Temperature: -40°C ~ +105°C
Max. Processing Temp: 230°C for 30-60 seconds (260°C for 10 seconds)



Order Information:
L-KLS1-202BB-XX-T-B-□-T

L: RoHS
Box Header Series
202BB: 2.00mm Pitch
XX-No. of 04 ~ 100pin
SMT: T=Without Post
T3=With Post
Color: B=Black G=Gray
Material: NONE=PA6T
A=PBT C=LCP
Packing: _____
T=Tube P=Tube+Cap R=Reel+Cap

GENERAL TOLERANCE	PROJECTION	Symbol	Description:
X. ±0.50	UNITS	mm	2.00mm Pitch Box Header Connector
.X ±0.25	SCALE	1:1	
.XX ±0.10	Draw by:	Jenny	
ANGLE TOLERANCE	Check by:		KLS P/N: L-KLS1-202BB-XX-T-B-□-T
X. ±5°	Date	2018-03-01	 NingBo KLS ELECTRONIC CO.,L TD.
.X ±3°	SHEET	1 OF 1	
.XX ±2°			