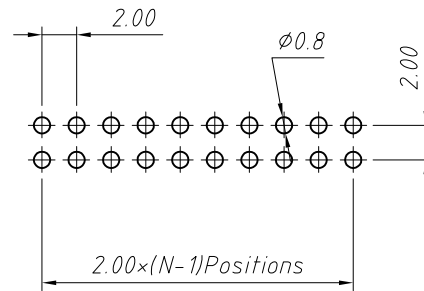
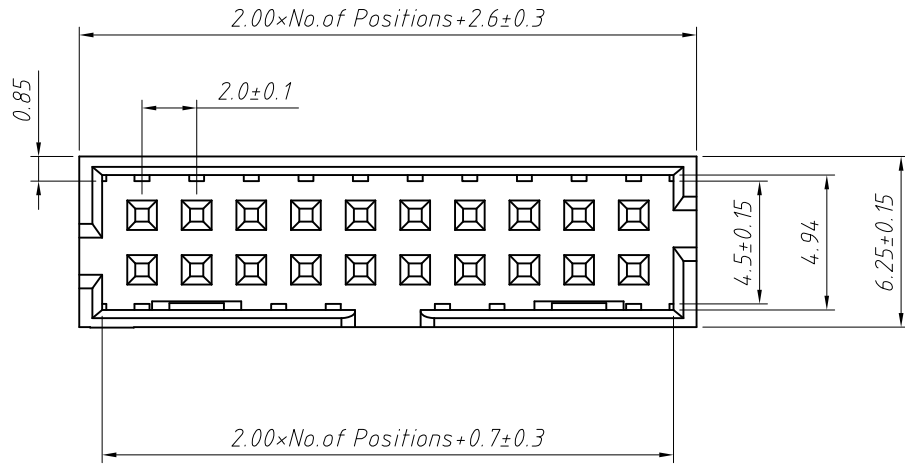


RoHS Compliance

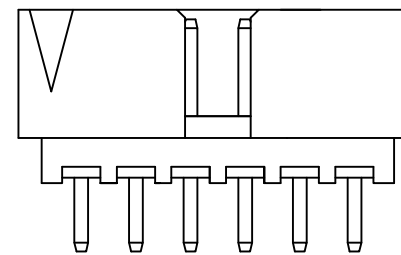
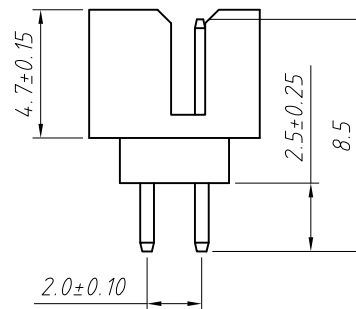
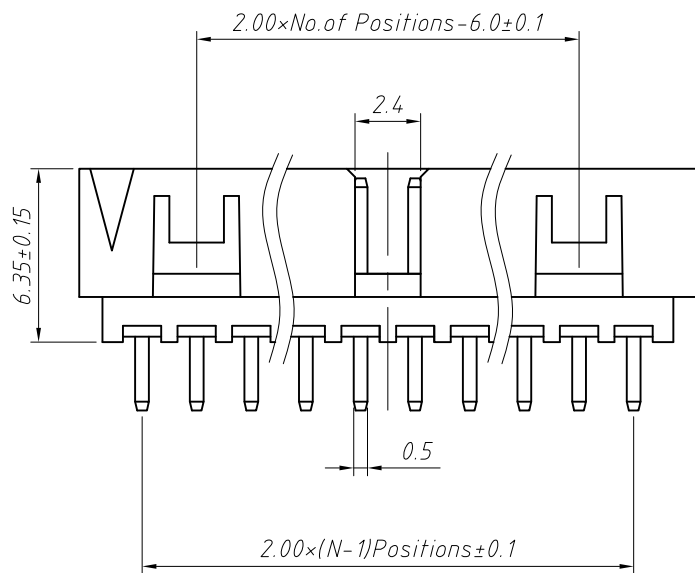


Material:
 Housing: PA6T, UL94V-0
 Contact: Brass
 Plating: Au or Sn Over Ni

Electrical Characteristics:
 Rated Current: 1.5AMP
 Contact Resistance: 20mΩ Max
 Withstand Voltage: 400V AC/DC
 Insulator Resistance: 800MΩ Min

Mechanical
 Operating Temperature: -40°C ~ +105°C
 Max. Processing Temp: 230°C for 30-60 seconds (260°C for 10 seconds)

Recommended P.C.B Layout (Top Side)
 (PCB BOARD TOLERANCE ±0.05)



Type for 6 ~ 12 Pin

Order Information:

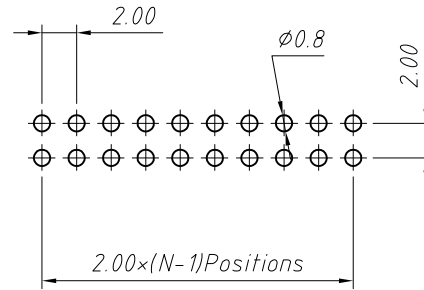
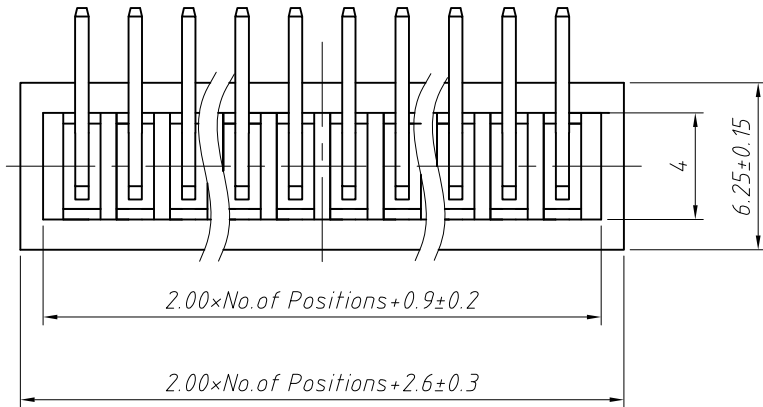
L-KLS1-202H-XX-S-B-□
 L: RoHS
 Box Header Series
 202H: 2.00mm Pitch
 XX: No. of 06 ~ 64 pin
 Type: S-Straight pin
 R-Right Angle Pin T-SMT
 Color: B-Black G-Gray
 Material: NONE=PA6T
 A=PBT C=LCP

ANGLE TOLERANCE	PROJECTION	Description:
±3°		2.00mm Pitch Box Header Connector
GENERAL TOLERANCE	UNITS	mm
x.x ±0.30	SHEET SIZE	A4
x.xx ±0.20	Draw:	Daniel 2018-07-10
x.xxx ±0.10	Check:	Daniel 2018-07-10



NingBo KLS ELECTRONIC CO., L TD.

1 RoHS Compliance

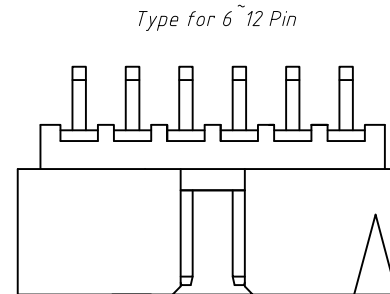
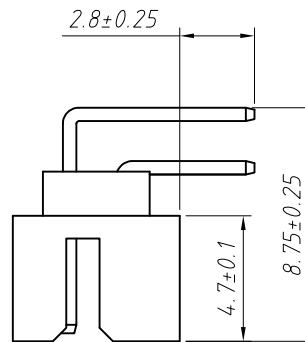
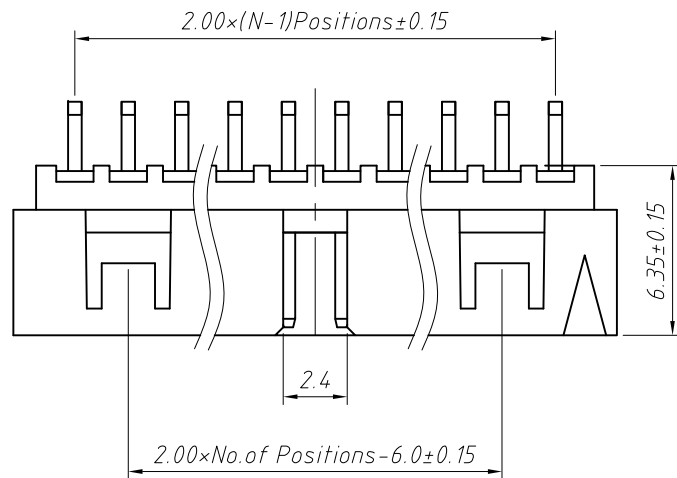


Recommended P.C.B Layout (Top Side)
(PCB BOARD TOLERANCE ±0.05)

Material:
Housing: PA6T, UL94V-0
Contact: Brass
Plating: Au or Sn Over Ni

Electrical Characteristics:
Rated Current: 1.5AMP
Contact Resistance: 20mΩ Max
Withstand Voltage: 400V AC/DC
Insulator Resistance: 800MΩ Min

Mechanical
Operating Temperature: -40°C ~ +105°C
Max. Processing Temp: 230°C for 30-60 seconds (260°C for 10 seconds)



Order Information:

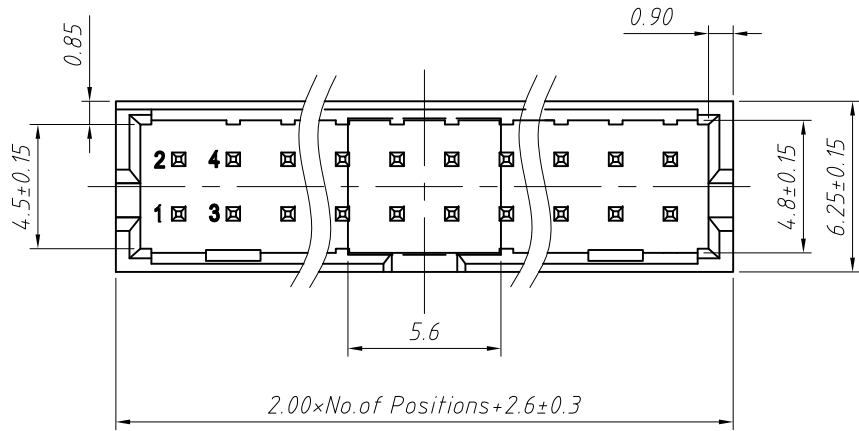
L-KLS1-202H-XX-R-B-□

L: RoHS
Box Header Series
202H: 2.00mm Pitch
XX: No. of 06~64 pin
Type: S-Straight pin
R-Right Angle Pin T-SMT
Color: B-Black G-Gray
Material: NONE=PA6T
A=PBT C=LCP

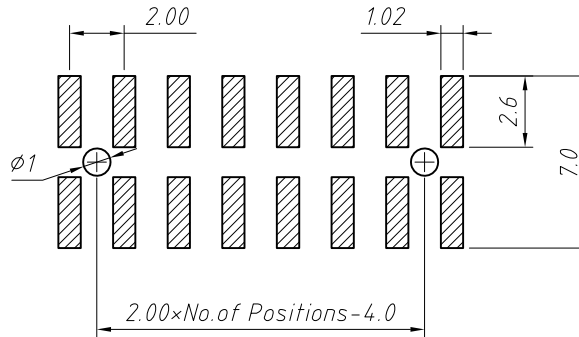
ANGLE TOLERANCE	PROJECTION	Description:	2.00mm Pitch Box Header Connector	
±3°				
GENERAL TOLERANCE	UNITS	mm	KLS P/N:	L-KLS1-202H-XX-R-B-□
x.x ±0.30	SHEET SIZE	A4		
x.xx ±0.20	Draw:	Daniel	2018-07-10	
x.xxx ±0.10	Check:	Daniel	2018-07-10	

NingBo KLS ELECTRONIC CO.,LTD.

1 RoHS Compliance



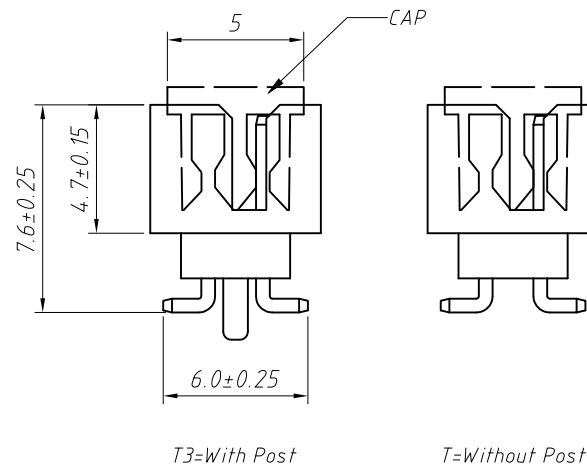
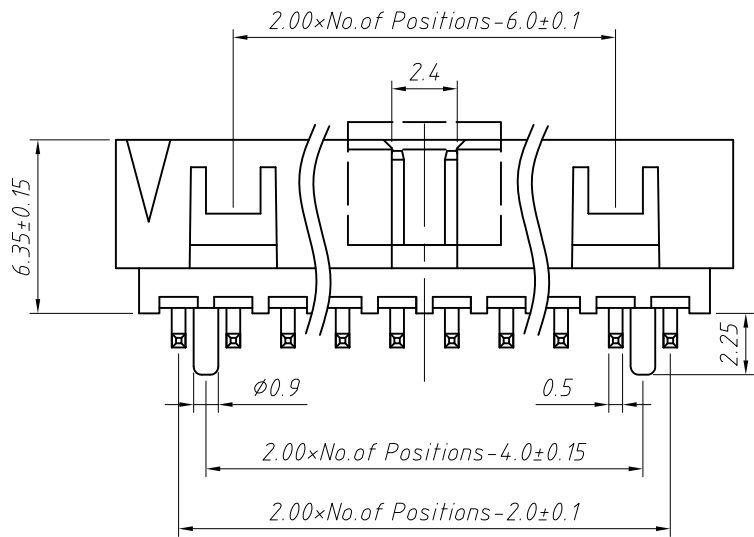
Recommended P.C.B Layout (Top Side)
(PCB BOARD TOLERANCE±0.05)



Material:
Housing:PA6T,UL94V-0
Contact:Brass
Plating:Au or Sn Over Ni

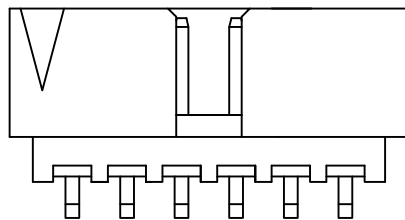
Electrical Characteristics:
Rated Current: 1.5AMP
Contact Resistance: 20mΩ Max
Withstand Voltage: 400V AC/DC
Insulator Resistance: 800MΩ Min

Mechanical
Operating Temperature: -40°C~+105°C
Max.Processing Temp:230°C for 30-60 seconds (260°C for 10 seconds)



Order Information:
L-KLS1-202H-XX-T-B-□-T

L: RoHS
Box Header Series
202H:2.00mm Pitch
XX-No. of 06~64 pin
SMT:T=Without Post
T3=With Post
Color:B-Black G-Gray
Material:NONE=PA6T
A=PBT C=LCP
Packing:
T=Tube P=Tube+Cap R=Reel+Cap



ANGLE TOLERANCE	PROJECTION	Description:	
±3°		2.00mm Pitch Box Header Connector	
GENERAL TOLERANCE	UNITS	mm	KLS P/N:
x.x ±0.30	SHEET SIZE	A4	L-KLS1-202H-XX-T-B-□-T
x.xx ±0.20	Draw:	Daniel	2018-07-10
x.xxx ±0.10	Check:	Daniel	2018-07-10



NingBo KLS ELECTRONIC CO.,L.TD.