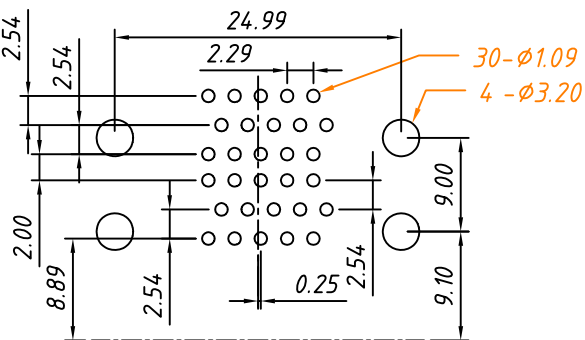
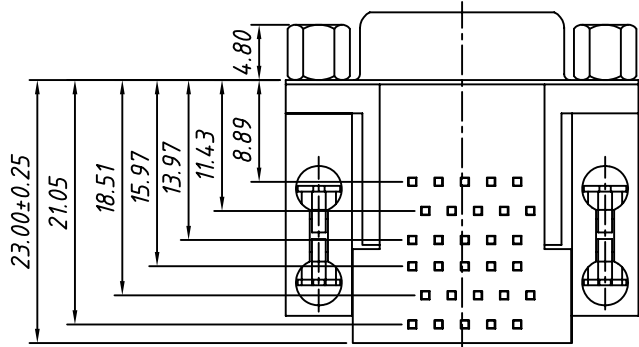
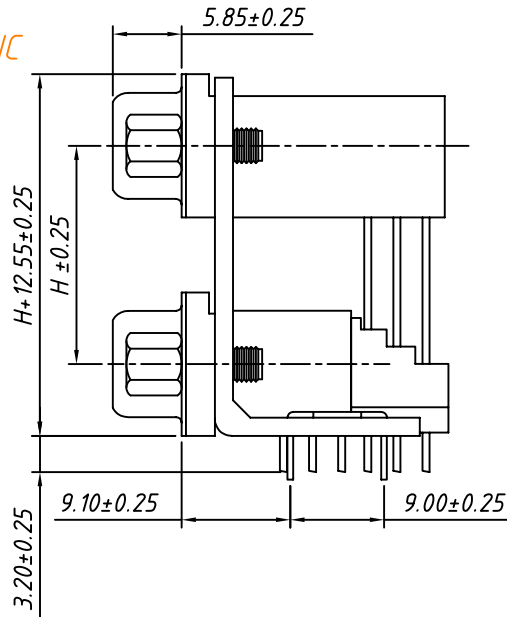
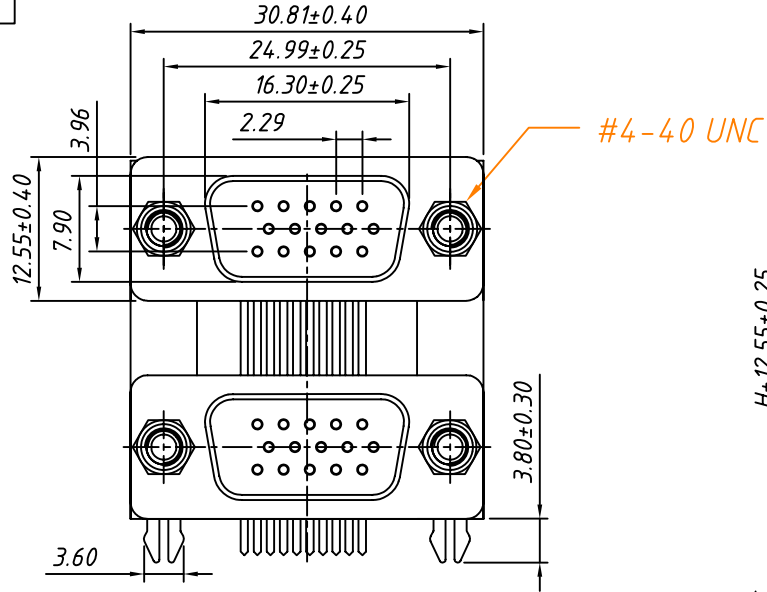


1 RoHS Compliant



RECOMMENDED PCB LAYOUT  
TOLERANCE: ±0.05mm

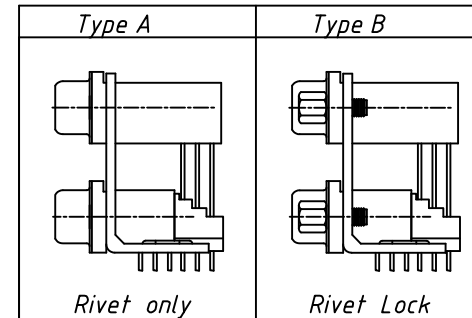
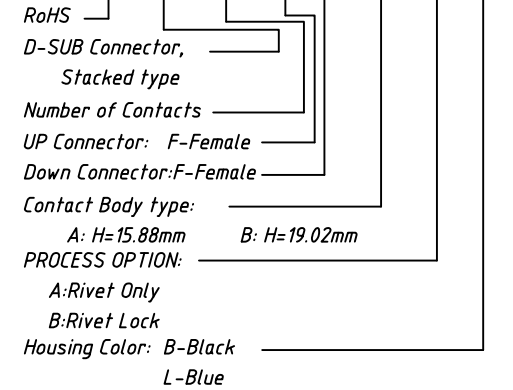
Contact Body Type	
Code	H±0.25
A	15.88
B	19.02


Material:  
Housing: PBT+30% Glass filled ,UL 94V-0  
Contacts: Brass ,Gold Plating  
Shell: Steel, Nickel Plating

Electrical Characteristics:  
Current Rating: 1 AMP  
Insulator Resistance: 1000MΩ Min. at DC 500V  
Withstanding Voltage: 500V AC (rms) for 1 minute  
Contact Resistance: 20mΩ Max. Initial  
Operating Temperature: -55°C ~ +105°C

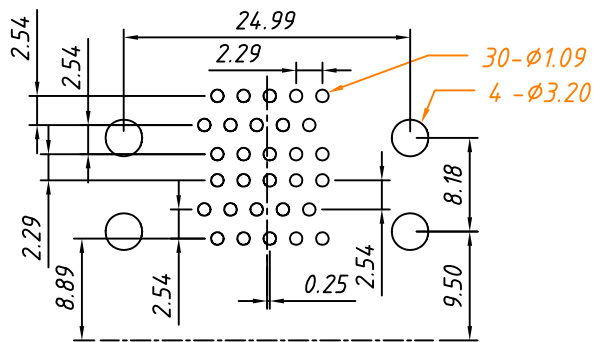
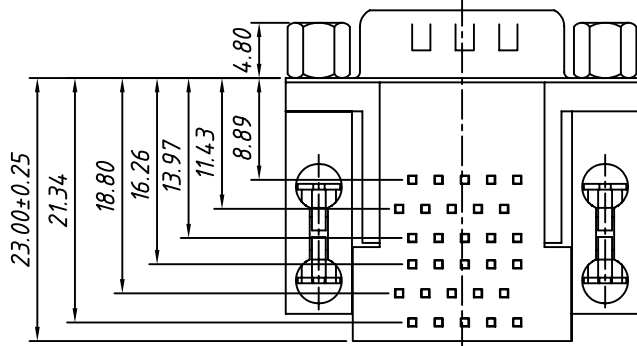
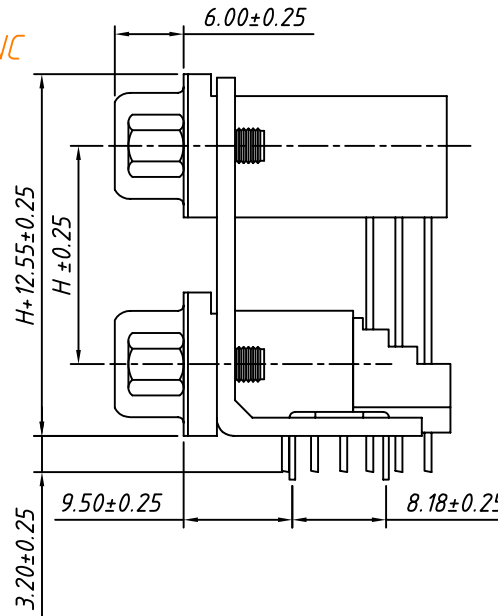
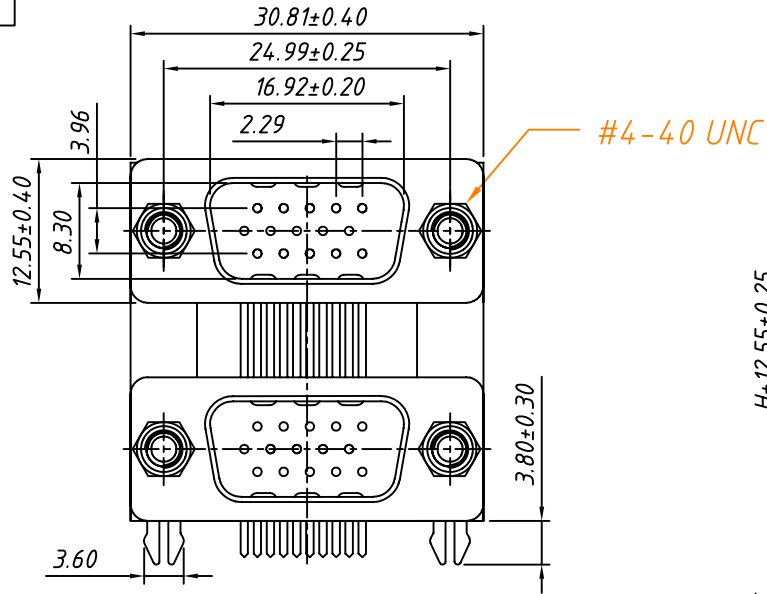
Order Information

L-KLS1-116-15 F F-X X B



GENERAL TOLERANCE	PROJECTION	Symbol	Description:
.X ±0.30	UNITS	mm	D-SUB Connector, Female +Female Stacked type
.X ±0.25	SCALE	1:1	
.XX ±0.20	Draw by:	Daniel	KLS P/N: L-KLS1-116-XX FF-XXB
ANGLE TOLERANCE	Check by:	Daniel	 NingBo KLS ELECTRONIC CO.,L TD.
.X ±3°	Date	2018-03-01	
.X ±2°	SHEET	1 OF 1	

RoHS Compliant



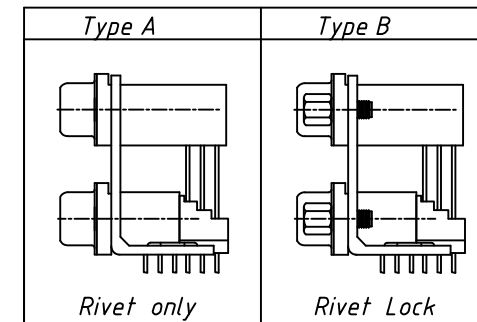
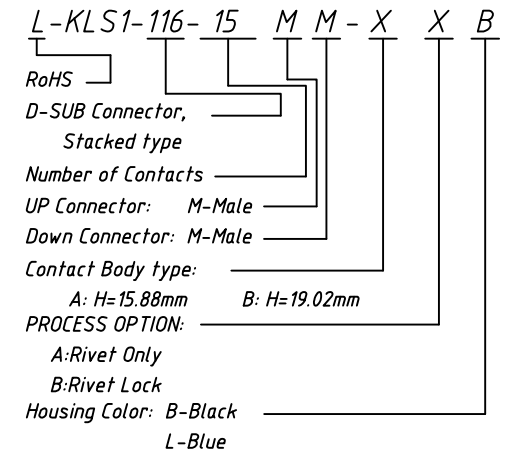
RECOMMENDED PCB LAYOUT  
TOLERANCE: ±0.05mm


Contact Body Type	
Code	H±0.25
A	15.88
B	19.02

Material:  
Housing: PBT+30% Glass filled ,UL94V-0  
Contacts: Brass ,Gold Plating  
Shell: Steel, Nickel Plating

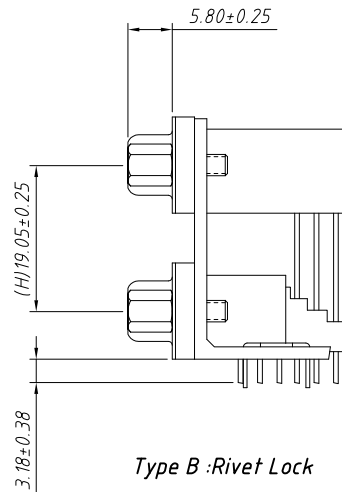
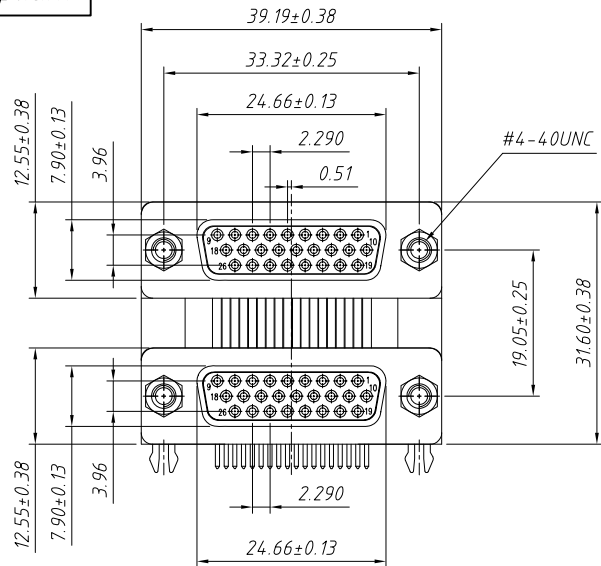
Electrical Characteristics:  
Current Rating: 1 AMP  
Insulator Resistance: 1000MΩ Min. at DC 500V  
Withstanding Voltage: 500V AC (rms) for 1 minute  
Contact Resistance: 20mΩ Max. Initial  
Operating Temperature: -55°C ~ +105°C

Order Information



GENERAL TOLERANCE	PROJECTION	Symbol	Description:
.X ±0.30	UNITS	mm	D-SUB Connector, Male + Male Stacked type
.X ±0.25	SCALE	1:1	
.XX ±0.20	Draw by:	Daniel	KLS P/N: L-KLS1-116-XX MM-XXB
ANGLE TOLERANCE	Check by:	Daniel	 NingBo KLS ELECTRONIC CO.,L TD.
.X ±3°	Date	2018-03-01	
.X ±2°	SHEET	1 OF 1	
.XX ±1°			

RoHS Compliant



Material:  
Housing: PBT,UL 94 V-0,Color:Black  
Terminal: Copper Alloy  
Shell: SPCC  
Board lock: Copper Alloy  
Bracket: Zinc Alloy  
Screw: Copper Alloy.

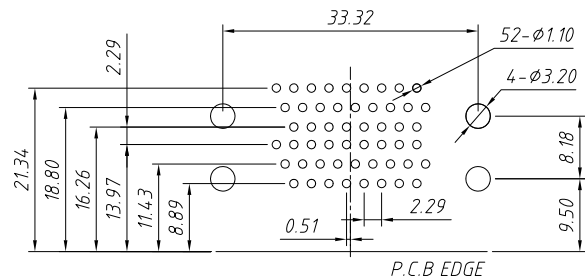
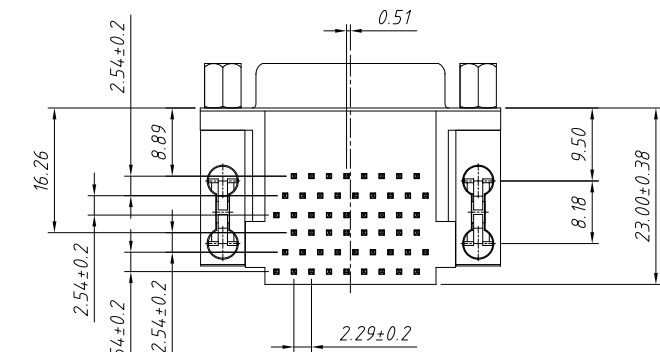
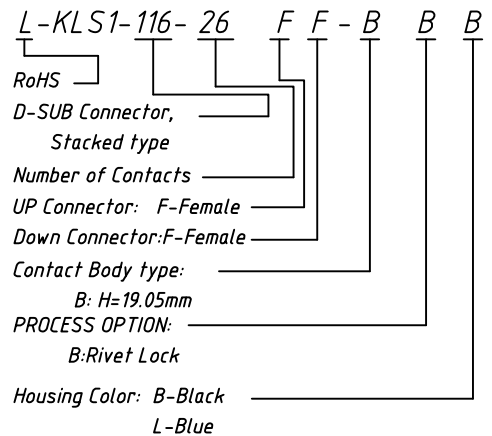
Finish:  
Terminal: Gold Plated over Nickel at Contact Area  
Tin plated over Nickel at Solder Area  
Shell!: Nickel Plated  
Board lock: Tin Plated  
Bracket: Nickel Plated  
Screw: Nickel Plated

This Product is RoHS Compliance Product

Electrical Characteristics:

Voltage: 250 VAC(RMS) Max  
Current Rating: 3 AMP  
Insulator Resistance: 5000MΩ Min. at DC 500V  
Withstanding Voltage: 1000V AC (rms) for 1 minute  
Contact Resistance: 25mΩ Max. Initial  
Total Mating Force: 9.7 Kgf Max  
Total Unmating Force: 1.4 Kgf Min  
Operating Temperature:  $-55^{\circ}\text{C} \sim +85^{\circ}\text{C}$

Order Information



Recommended PCB Layout  
TOLERANCE:  $\pm 0.05\text{mm}$

GENERAL TOLERANCE	PROJECTION		Description:
X. $\pm 0.30$	UNITS	mm	D-SUB Connector, Female +Female Stacked type
.X $\pm 0.25$	SCALE	1:1	
.XX $\pm 0.20$	Draw by:	Daniel	KLS P/N: L-KLS1-116-26-FF-BBB
ANGLE TOLERANCE	Check by:	Daniel	NingBo KLS ELECTRONIC CO.,L TD.
X. $\pm 3^{\circ}$	Date	2018-03-01	
.X $\pm 2^{\circ}$	SHEET	1 OF 1	
.XX $\pm 1^{\circ}$			