

PCB LAYOUT

Tol: ±0.05mm

Material:
Housing: PC
Flammability Rating : UL94V-0
Contacts: Phosphor Bronze T=0.80mm
Plating: TIN Plating

Electrical:
Voltage Rating: 125VAC
Current Rating: 1.5A
Contact Resistance: 30mΩ Max.
Insulation Resistance: 500MΩ Min. at 500V dc
Dielectric Strength: 1000VAC Rms 50Hz, 1 Min.
Durability: 750 cycles Min.
Operation Temperature: -40°C ~ +85°C

Order Information

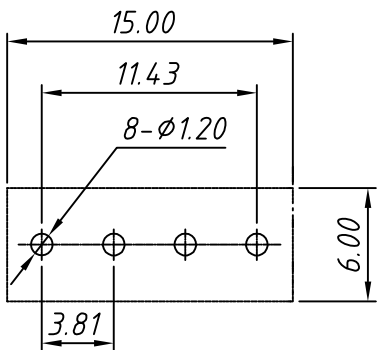
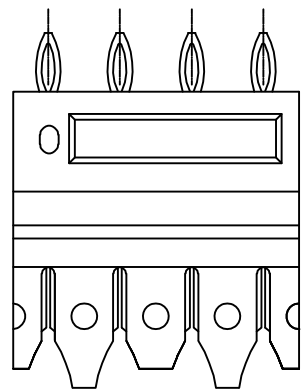
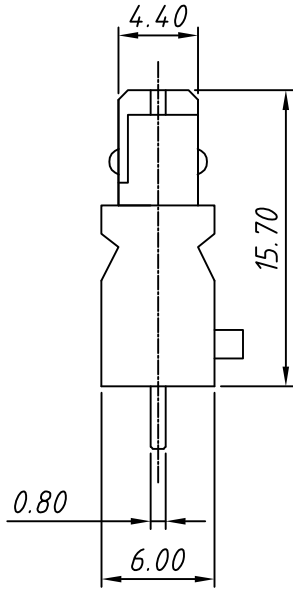
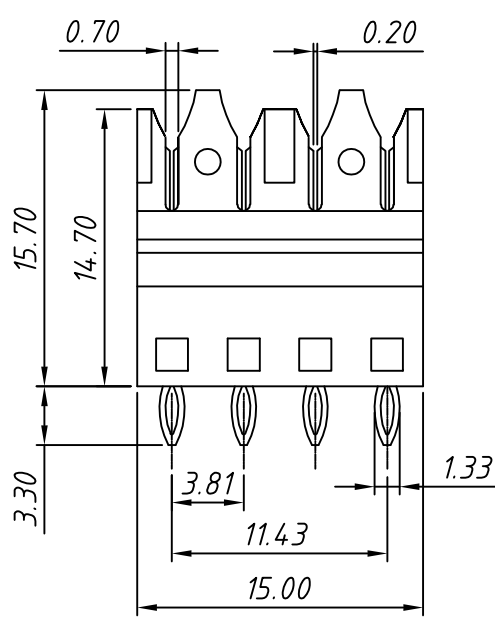
L-KLS12-CM110-12-XP

RoHS

Contacts:

4P- 2 Pair IDC Connector
8P- 4 Pair IDC Connector

GENERAL TOLERANCE	PROJECTION		Description:
.X ±0.30	UNITS	mm	Krone IDC Block PCB-PLUS
.X ±0.20	SCALE	1:1	
.XX ±0.15	Draw by:	Daniel	
ANGLE TOLERANCE	Check by:	Daniel	KLS P/N: L-KLS12-CM110-12-8P
±1°	Date	2020-04-20	NingBo KLS ELECTRONIC CO.,LTD.
	SHEET	1 OF 1	



PCB LAYOUT
Tol: ±0.05mm

Material:
Housing: PC
Flammability Rating: UL94V-0
Contacts: Phosphor Bronze T=0.80mm
Plating: TIN Plating

Electrical:
Voltage Rating: 125VAC
Current Rating: 1.5A
Contact Resistance: 30mΩ Max.
Insulation Resistance: 500MΩ Min. at 500V dc
Dielectric Strength: 1000VAC Rms 50Hz, 1 Min.
Durability: 750 cycles Min.
Operation Temperature: -40°C ~ +85°C

Order Information

L-KLS12-CM110-12-XP

RoHS
 Contacts:
 4P- 2 Pair IDC Connector
 8P- 4 Pair IDC Connector

GENERAL TOLERANCE	PROJECTION		Description:
.X ±0.30	UNITS	mm	Krone IDC Block PCB-PLUS
.X ±0.20	SCALE	1:1	
.XX ±0.15	Draw by:	Daniel	
ANGLE TOLERANCE	Check by:	Daniel	KLS P/N: L-KLS12-CM110-12-4P
±1°	Date	2020-04-20	NingBo KLS ELECTRONIC CO.,LTD.
	SHEET	1 OF 1	