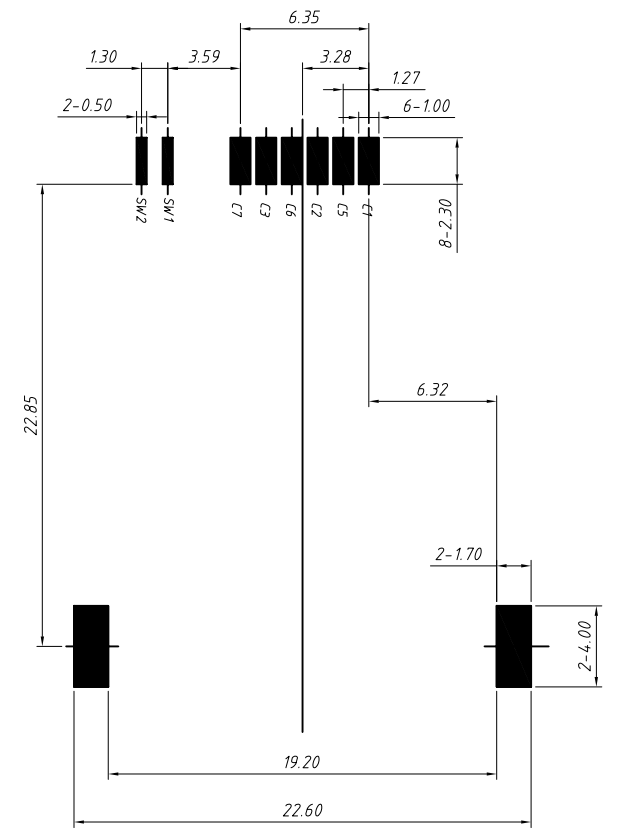
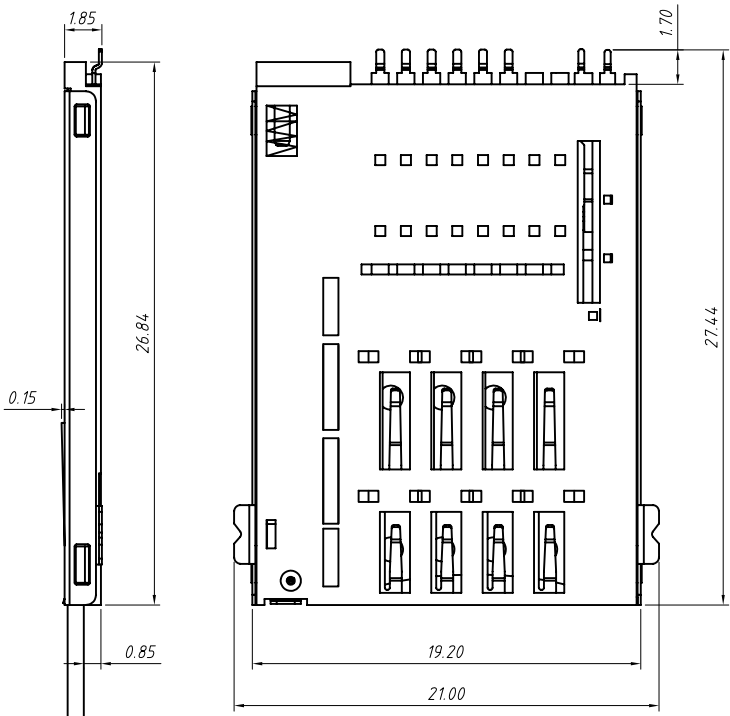
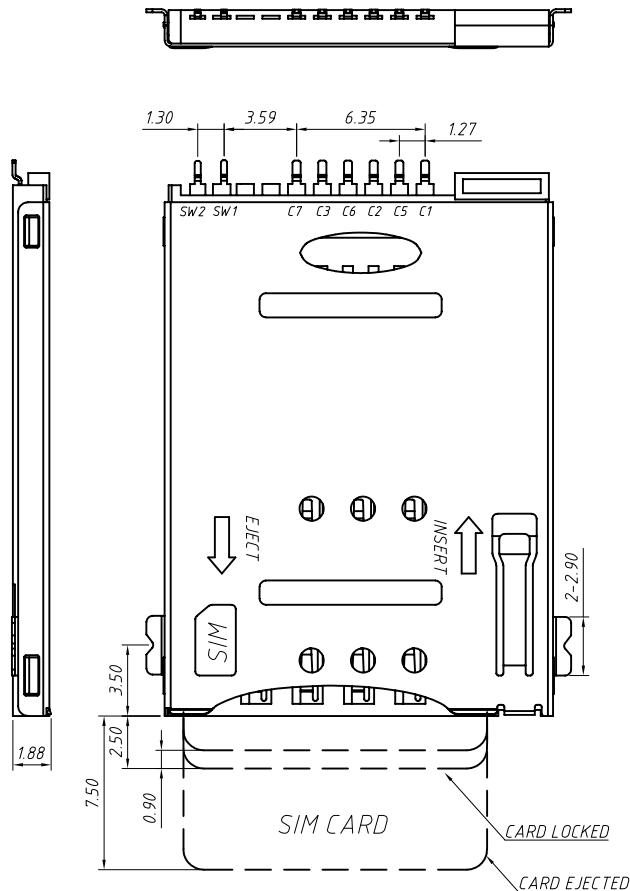


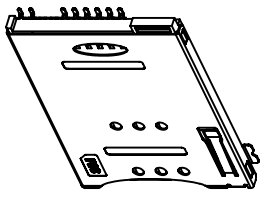
1 2 3 4 5 6 7 8

A B C D E F G H



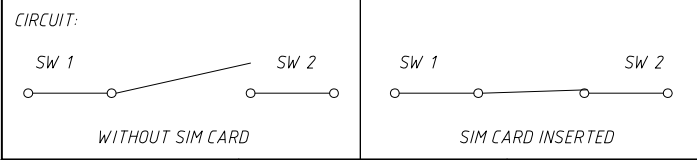
RECOMMENDED PCB LAYOUT

SIM Pin Assignment	
Pin #	Name
C1	VCC
C2	RST
C3	CLK
C4	Reserved
C5	GND
C6	VPP
C7	I / O
C8	Reserved



Material:
 Insulator:H-Temperature Plastic,UL 94 V-0.Black.
 Terminal:Copper Alloy,T=0.15mm
 Shell:Stainless Steel,T=0.15mm
Finish:
 Terminal:50u" min Nickel Underplated on Allover,Gold Plating on Contact Arer,Flsh Gold on Solder Tail.
 Shell:50u" Nickel Underplated on Allover,Gold Flash on Solder Latch.

Electrical:
 Current Rating:0.5A.
 Voltage Rating:5.0 Vrms.
 Insulation Resistance:500M Min.At DC 500V DC
 Withstanding Voltage:250V ACrms For 1 Minute.
 Contact Resistance:100M Max.At 10MA/20mV MAX.
 Operating Temperature:-55°C TO +85°C
 Mating Cycles:5000 Insertions.



GENERAL TOLERANCE		ANGLE TOLERANCE		PROJECTION		Description:	
X	±0.15	X	±5°	UNITS	mm	SIM CARD CONN;PUSH PUSH, 6P,H1.85mm,SMD with CD Pin L-KLS1-SIM-064A-(6+2)P-H1.85-R	
.X	±0.03	.X	±3°	SHEET SIZE	A4		
.XX	±0.05	.XX	±2°	KLS P/N:			

Draw by:	Jenny	Date:	2018-03-10
Check by:		Date:	2018-03-10
SCALE		SHEET	1 OF 1

KLS NingBo KLS ELECTRONIC CO.,L TD.

1 2 3 4 5 6 7 8

H