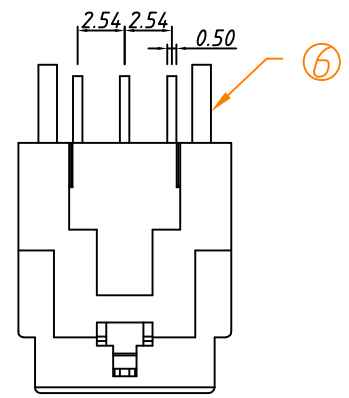
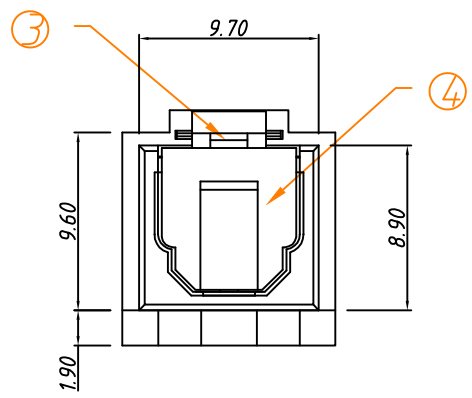
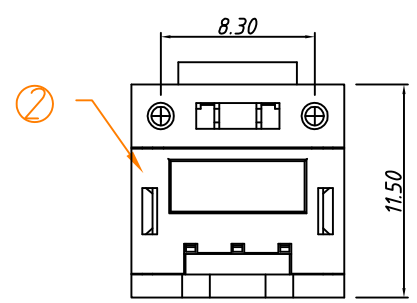
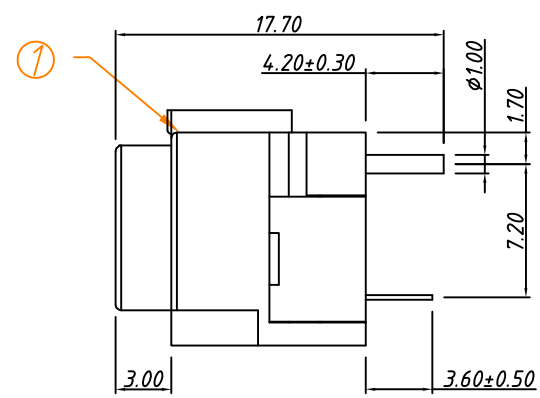
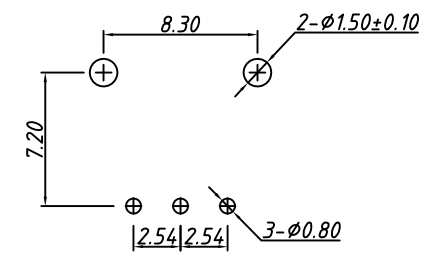
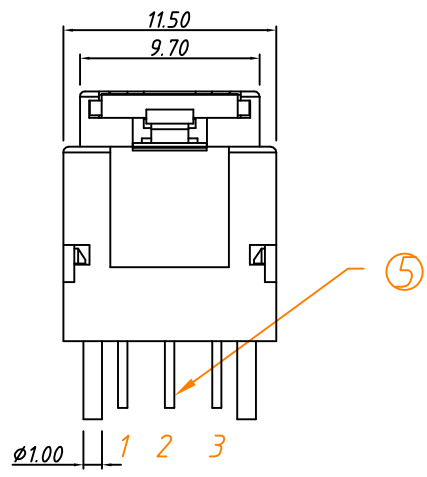


1
RoHS Compliance

Pin Function
 1- GND
 2- Vcc
 3- Vin



Order information:
 L-KLS1-SJ T -018-XXX
 L: RoHS
 T: Transmitter
 XXX: Frequency
 96K- 96KHz
 192K- 192KHz

6	Pin	CP, Tin plated	2	
5	IR		1	Transmitter
4	Shutter	PA66	1	
3	Spring	SUS 304	1	
2	Cover	PA66	1	
1	Body	PA66	1	
ITEM	PART NAME	Material	Q'TY	REMARK

PROJECTION		Description:
UNITS	mm	Transmitters FIBER OPTIC Jacks
SCALE	1:1	
Draw:	Daniel	KLS P/N: L-KLS1-SJT-018-XXX
Check :	Daniel	NingBo KLS ELECTRONIC CO.,L TD.
Date	2020-03-02	
TOLERANCE	±0.20	