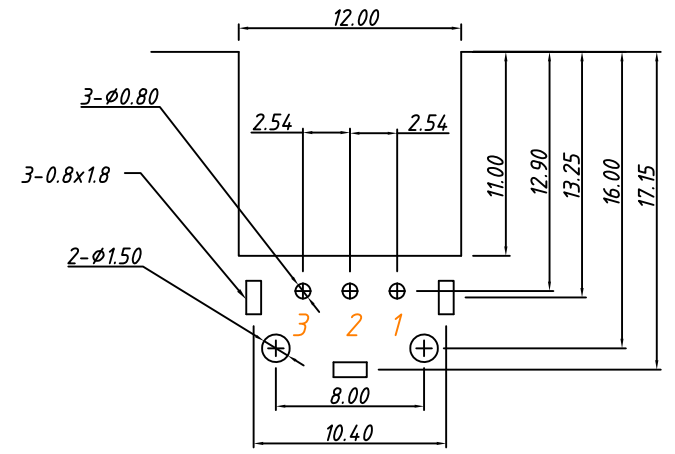
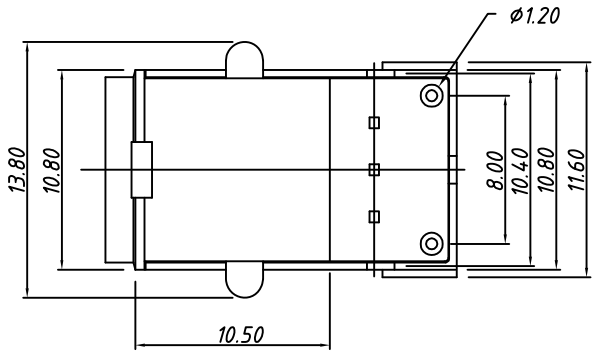
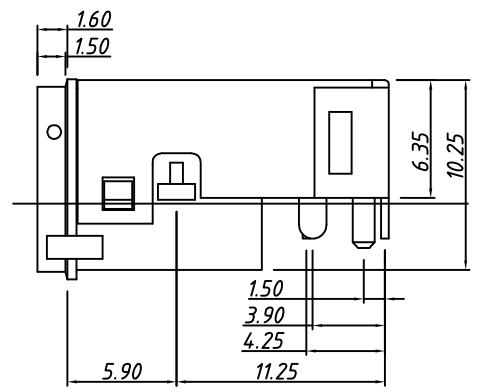
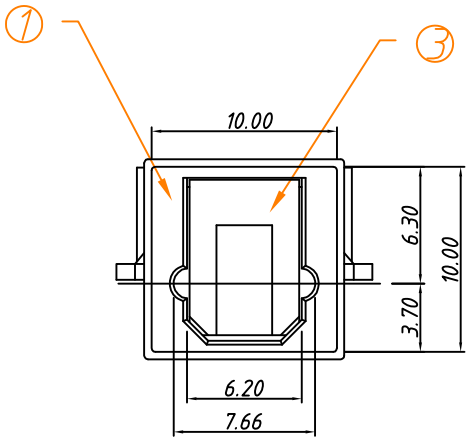
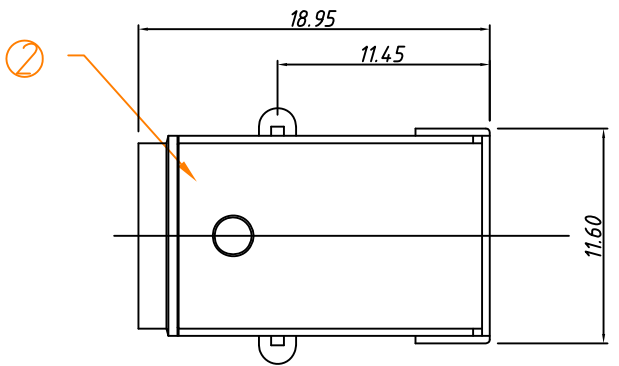
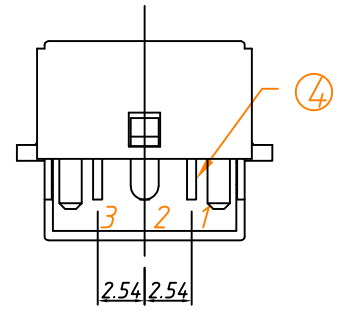


1  
RoHS Compliance



P.C.B LAYOUT  
TOLERANCE:±0.30



Order information:  
L-KLS1-SJ R -020-XXX  
L: RoHS  
R:Receiver  
XXX: Frequency  
96K- 96KHz  
192K- 192KHz

Pin Function  
1- Vout  
2- GND  
3- Vcc

4	IR		1	Receiving
3	Shutter	PBT	1	
2	Shield	SPCC, Tin plated	2	
1	Body	PBT	1	
ITEM	PART NAME	Material	Q'TY	REMARK

PROJECTION		Description:
UNITS	mm	Receiver FIBER OPTIC Jacks
SCALE	1:1	
Draw:	Daniel	KLS P/N: L-KLS1-SJR-020-XXX
Check :	Daniel	NingBo KLS ELECTRONIC CO.,L TD.
Date	2020-03-02	
TOLERANCE	±0.20	