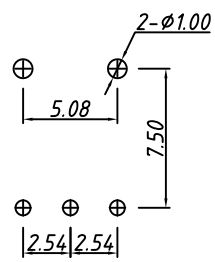
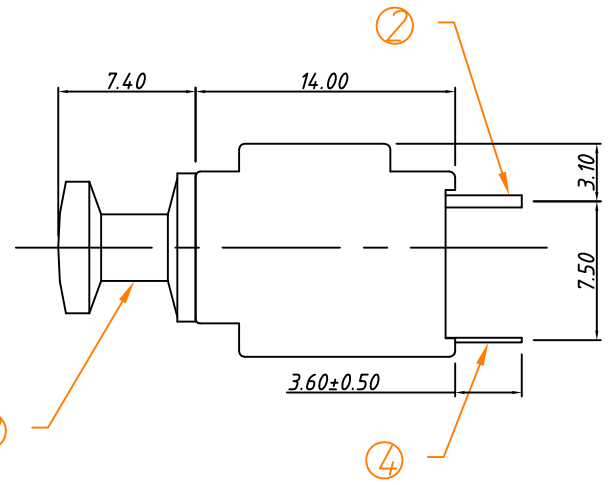
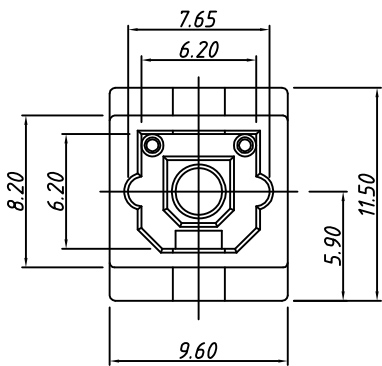
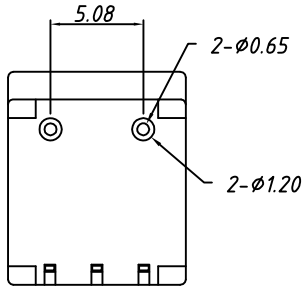
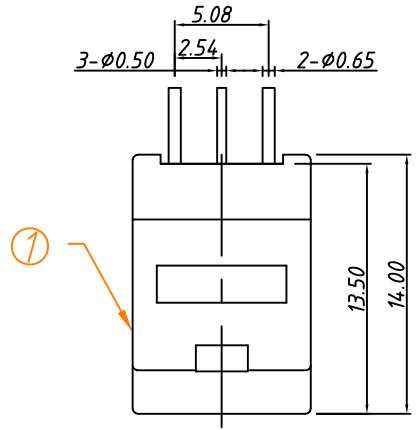
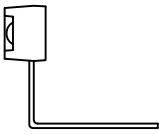
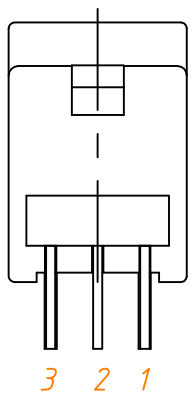


1
RoHS Compliance



P.C.B LAYOUT
TOLERANCE:±0.30



Pin Function
1- Vout
2- GND
3- Vcc

Order information:
L-KLS1-SJ R -019-XXX
L: RoHS
R:Receiver
XXX: Frequency
96K- 96KHz
192K- 192KHz

4	IR		1	Receiving
3	PLUG	PBT	1	
2	Pin	CP, Tin plated	2	
1	Body	PBT	1	
ITEM	PART NAME	Material	Q'TY	REMARK

PROJECTION		Description:
UNITS	mm	Receiver FIBER OPTIC Jacks
SCALE	1:1	
Draw:	Daniel	KLS P/N: L-KLS1-SJR-019-XXX
Check :	Daniel	NingBo KLS ELECTRONIC CO.,L TD.
Date	2020-03-02	
TOLERANCE	±0.20	