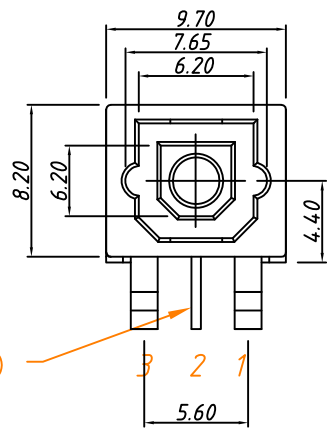
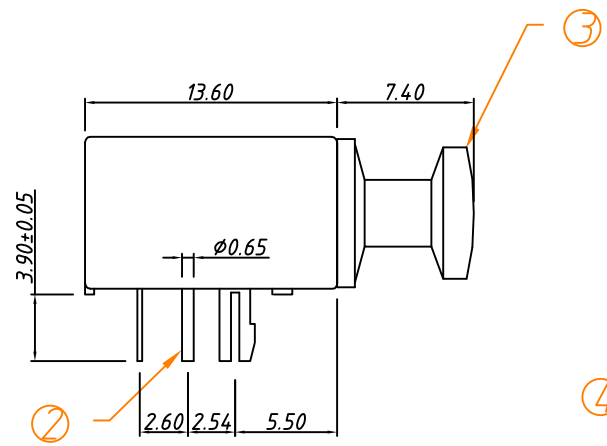
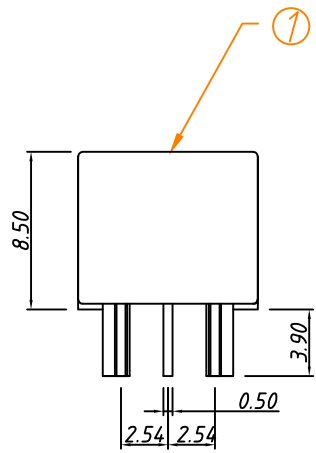
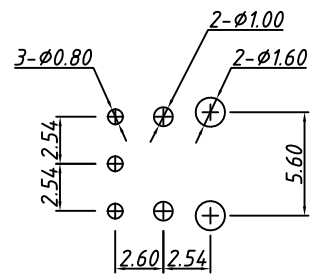


1  
RoHS Compliance



Pin Function  
 1- Vout  
 2- GND  
 3- Vcc



P.C.B LAYOUT  
 TOLERANCE:±0.30

Order information:  
 L-KLS1-SJ R -005-XXX  
 L: RoHS  
 R: Receiver  
 XXX: Frequency  
 96K- 96KHz  
 192K- 192KHz

4	IR		1	Receiving
3	PLUG	PBT	1	
2	Pin	CP, Tin plated	2	
1	Body	PBT	1	
ITEM	PART NAME	Material	Q'TY	REMARK

PROJECTION		Description:
UNITS	mm	Receiver FIBER OPTIC Jacks
SCALE	1:1	
Draw:	Daniel	KLS P/N: L-KLS1-SJR-005-XXX
Check :	Daniel	NingBo KLS ELECTRONIC CO.,L TD.
Date	2020-03-02	
TOLERANCE	±0.20	