

PIN NO.	DIM A	DIM B	DIM C	DIM D
2×01	8.35	15.39	12.34	
2×02	12.05	19.10	16.04	5.70
2×03	17.75	24.80	21.74	11.40
2×04	23.45	30.50	27.44	17.10
2×05	29.15	36.20	33.14	22.80
2×06	34.85	41.90	38.84	28.50

Material:

Housing:LCP+30%GF,UL 94 V-0,Black color.

Terminal: Brass

Finish:

Terminal:3u" Min.Gold over 30u" Min.

Nickel on entire post.

Electrical Characteristics:

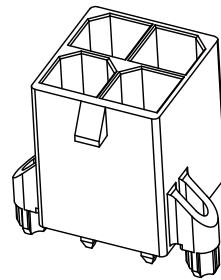
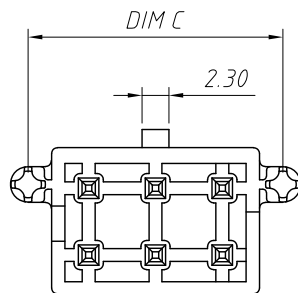
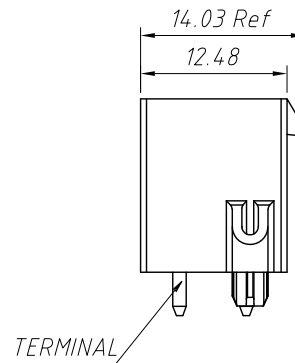
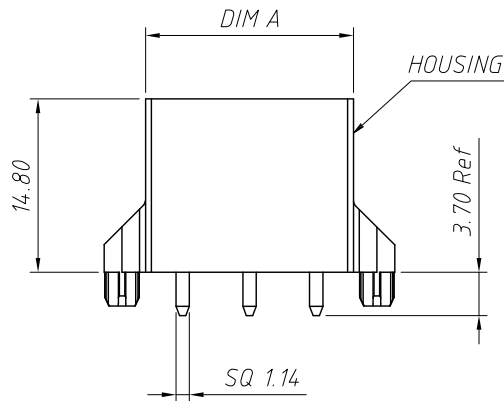
Poles: 2 to 12P

Contact resistance:30mΩ MAX.

Insulation resistance:1000V MΩ MIN.

Current-Maximum PER Contact:23A

Voltage-Maximum:600V



2×2 PIN

Order Information

L-KLS1-XM1-5.70-2×XX-S

RoHS

Series No.

Pitch:5.70=5.70mm

Pins:2=Double layer

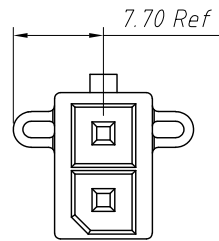
Pin Number: 2~12Pin

Type:

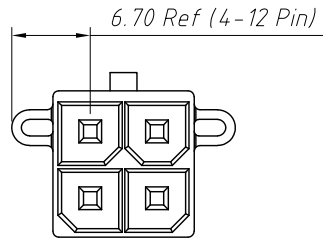
S=Straight pin R=Right pin

MH=Male Housing FT=Female Terminal

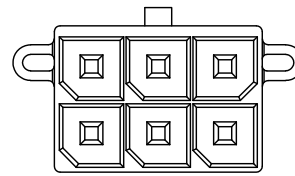
GENERAL TOLERANCE	PROJECTION		Description:
X. ±0.50	UNITS	mm	Pitch 5.70mm Double layer Straight pin
.X ±0.25	SCALE	1:1	
.XX ±0.10	Draw by:	Jenny	KLS P/N: L-KLS1-XM1-5.70-2×XX-S
ANGLE TOLERANCE	Check by:		NingBo KLS ELECTRONIC CO.,L TD.
X. ±5°	Date	2018-03-01	
.X ±3°	SHEET	1 OF 2	
.XX ±2°			



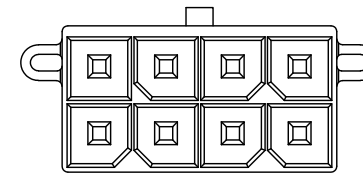
2x01 Pin



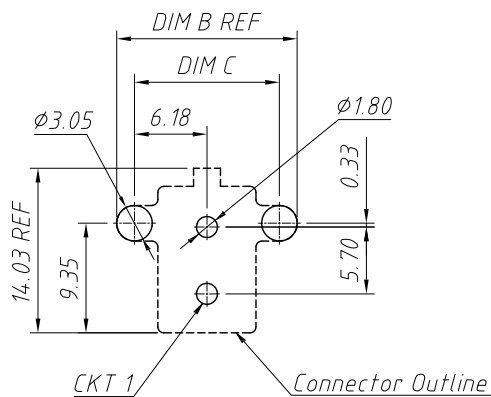
2x02 Pin



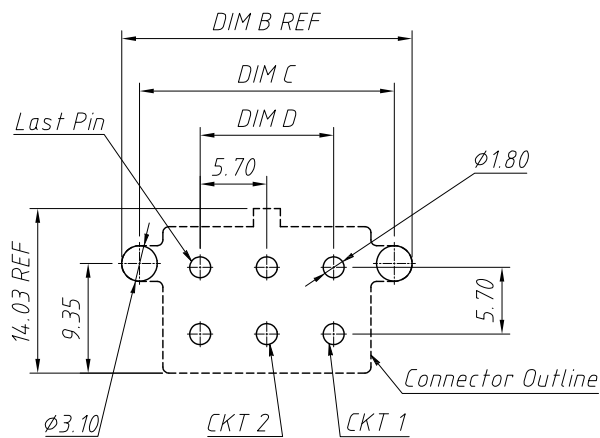
2x03 Pin



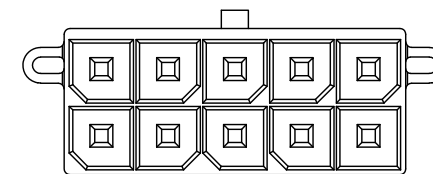
2x04 Pin



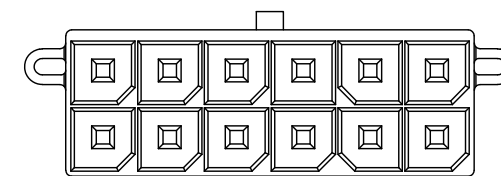
Tolerance:±0.05 Thickness:1.6mm  
Recommended PCB Layout  
Top View



Tolerance:±0.05 Thickness:1.6mm  
Recommended PCB Layout  
Top View

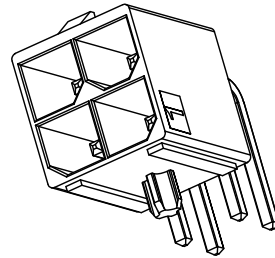
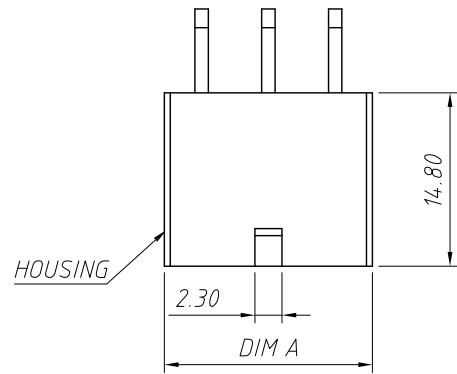


2x05 Pin

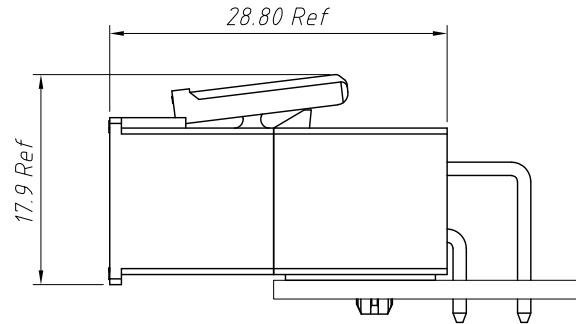


2x06 Pin

GENERAL TOLERANCE	PROJECTION		Description:
X. ±0.50	UNITS	mm	Pitch 5.70mm Double layer Straight pin
.X ±0.25	SCALE	1:1	
.XX ±0.10	Draw by:	Jenny	
ANGLE TOLERANCE	Check by:		KLS P/N: L-KLS1-XM1-5.70-2×XX-S
X. ±5°	Date	2018-03-01	NingBo KLS ELECTRONIC CO.,L TD.
.X ±3°	SHEET	2 OF 2	
.XX ±2°			



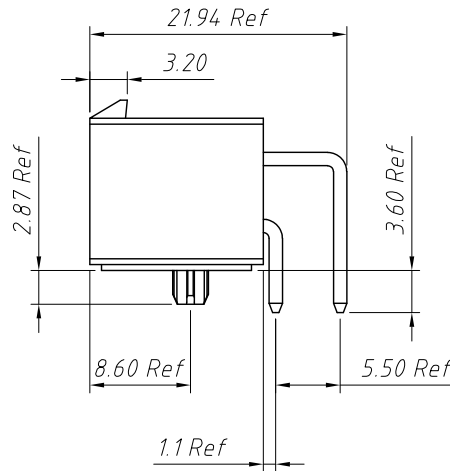
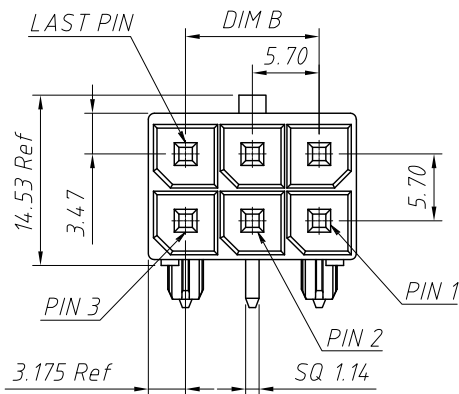
2x02 PIN



MATED DRAWING

Material:  
Housing:LCP+30%GF,UL 94V-0,Black color.  
Terminal: Brass  
Finish:  
Terminal:3u" Min.Gold over 30u" Min.  
Nickel on entire post.

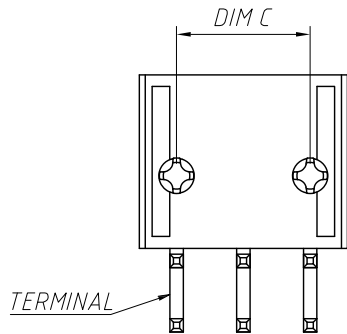
Electrical Characteristics:  
Poles: 2 to 12P  
Contact resistance:30mΩ MAX.  
Insulation resistance:1000V MΩ MIN.  
Current-Maximum PER Contact:23A  
Voltage-Maximum:600V




Order Information

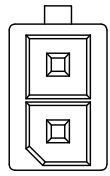
L-KLS1-XM1-5.70-2×XX-R

RoHS  
Series No.  
Pitch:5.70=5.70mm  
Pins:2=Double layer  
Pin Number: 2~12Pin  
Type:  
S=Straight pin R=Right pin  
MH=Male Housing FT=Female Terminal

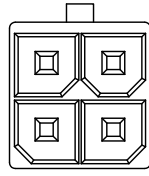


PIN NO.	DIM A	DIM B	DIM C
2x01	8.35		
2x02	12.05	5.70	
2x03	17.75	11.40	11.40
2x04	23.45	17.10	17.10
2x05	29.15	22.80	22.80
2x06	34.85	28.50	28.50

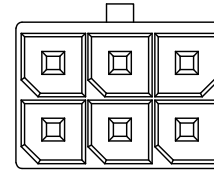
GENERAL TOLERANCE	PROJECTION	Symbol	Description:
X. ±0.50	UNITS	mm	Pitch 5.70mm Double layer Right pin
.X ±0.25	SCALE	1:1	
.XX ±0.10	Draw by:	Jenny	
ANGLE TOLERANCE	Check by:		KLS P/N: L-KLS1-XM1-5.70-2×XX-R
X. ±5°	Date	2018-03-01	 NingBo KLS ELECTRONIC CO.,L TD.
.X ±3°	SHEET	1 OF 2	
.XX ±2°			



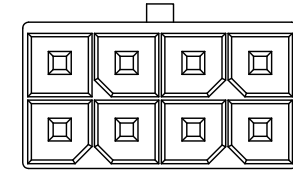
2x01 Pin



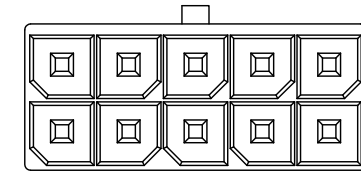
2x02 Pin



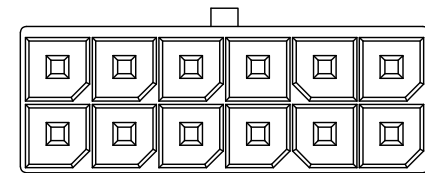
2x03 Pin



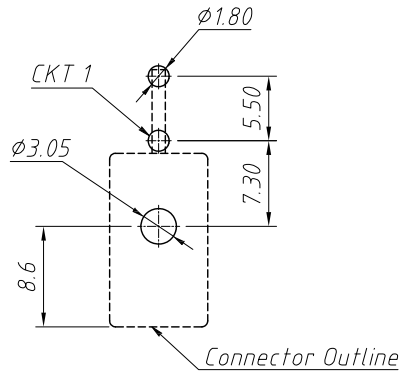
2x04 Pin



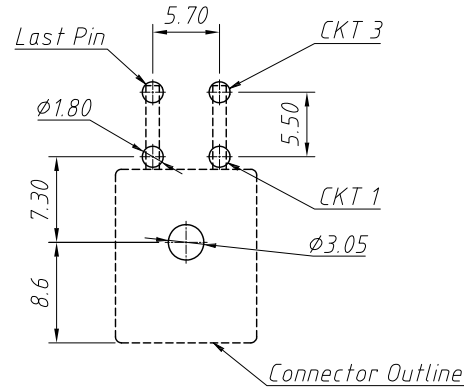
2x05 Pin



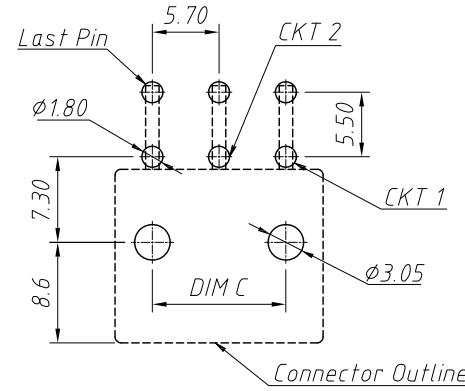
2x06 Pin



Tolerance:±0.05 Thickness:1.6mm  
Recommended PCB Layout  
Top View

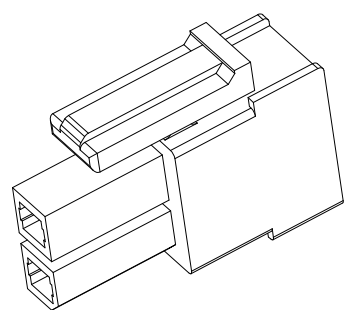
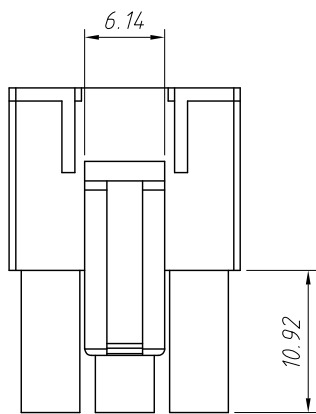


Tolerance:±0.05 Thickness:1.6mm  
Recommended PCB Layout  
Top View



Tolerance:±0.05 Thickness:1.6mm  
Recommended PCB Layout  
Top View

GENERAL TOLERANCE	PROJECTION		Description:
X. ±0.50	UNITS	mm	Pitch 5.70mm Double layer Right pin
.X ±0.25	SCALE	1:1	
.XX ±0.10	Draw by:	Jenny	
ANGLE TOLERANCE	Check by:		KLS P/N: L-KLS1-XM1-5.70-2×XX-R
X. ±5°	Date	2018-03-01	NingBo KLS ELECTRONIC CO.,L TD.
.X ±3°	SHEET	2 OF 2	
.XX ±2°			

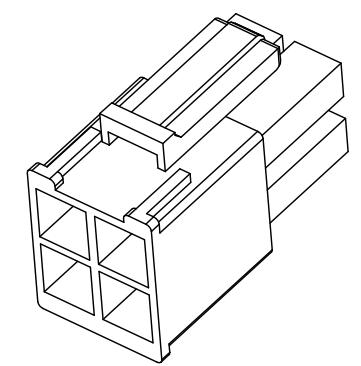
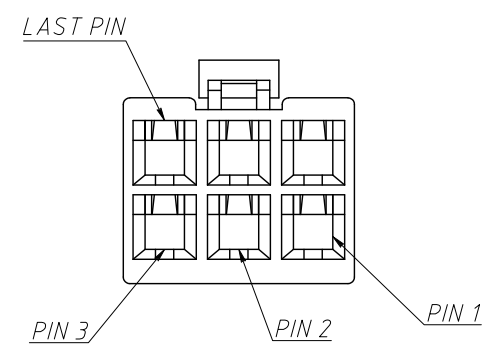
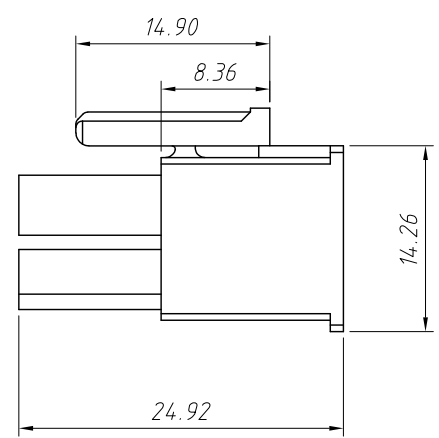
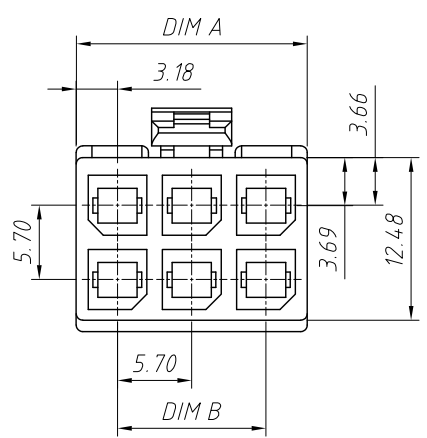


2x01 PIN

Order Information

L-KLS1-XM1-5.70-2xXX-MH

RoHS  
 Series No.  
 Pitch:5.70=5.70mm  
 Pins:2=Double layer  
 Pin Number: 2 ~ 12Pin  
 Type:  
 S=Straight pin R=Right pin  
 MH=Male Housing FT=Female Terminal

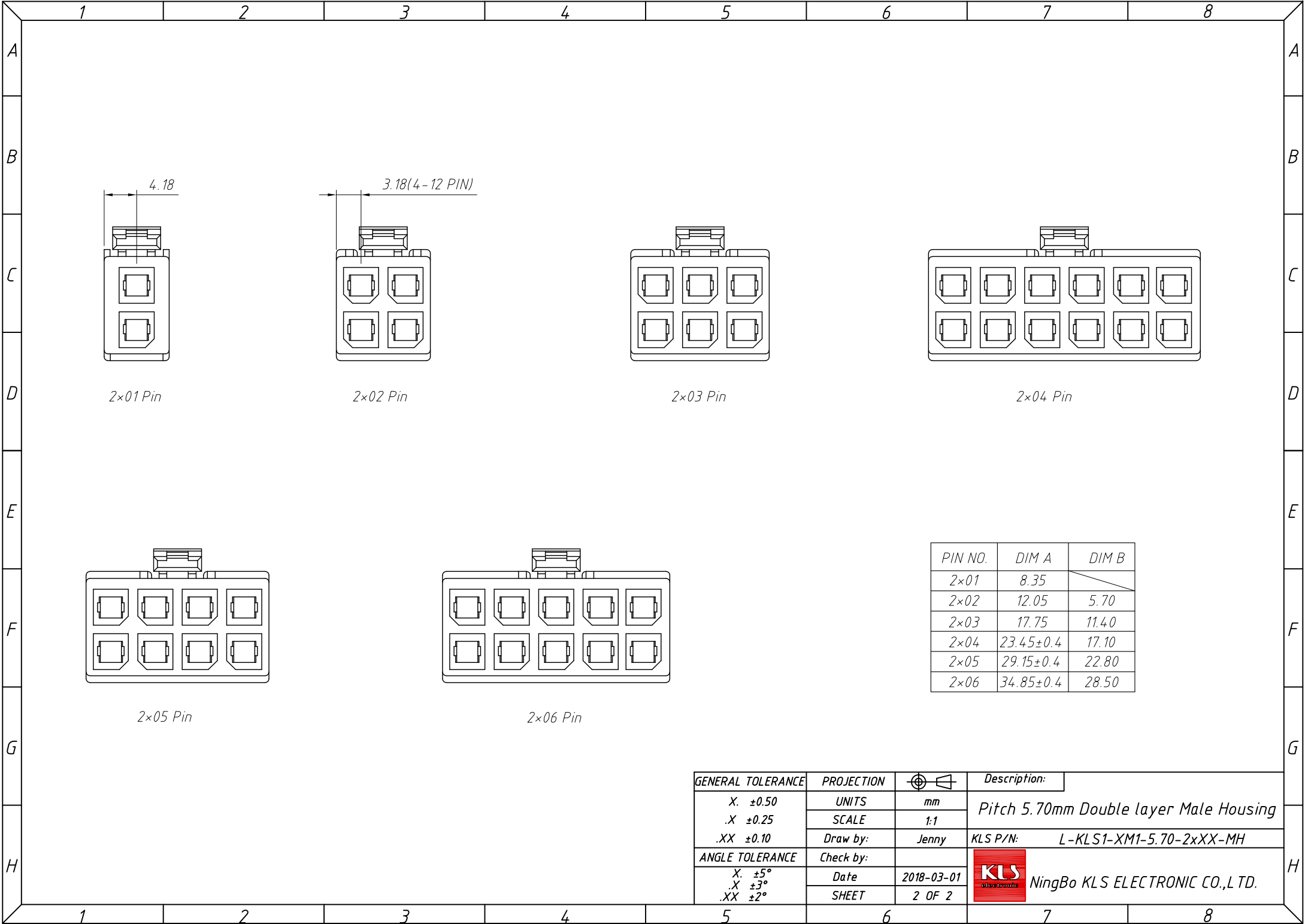


2x02 PIN

Material:  
 Housing:PA66,UL 94 V-0,Black color.

PIN NO.	DIM A	DIM B
2x01	8.35	
2x02	12.05	5.70
2x03	17.75	11.40
2x04	23.45±0.4	17.10
2x05	29.15±0.4	22.80
2x06	34.85±0.4	28.50

GENERAL TOLERANCE	PROJECTION		Description:
X. ±0.50	UNITS	mm	Pitch 5.70mm Double layer Male Housing
.X ±0.25	SCALE	1:1	
.XX ±0.10	Draw by:	Jenny	
ANGLE TOLERANCE	Check by:		KLS P/N: L-KLS1-XM1-5.70-2xXX-MH
X. ±5°	Date	2018-03-01	NingBo KLS ELECTRONIC CO.,L TD.
.X ±3°	SHEET	1 OF 2	
.XX ±2°			



2x01 Pin

2x02 Pin

2x03 Pin

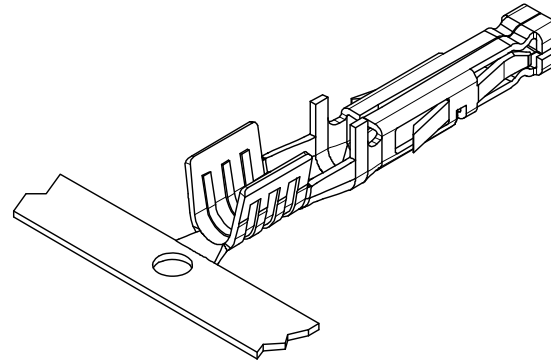
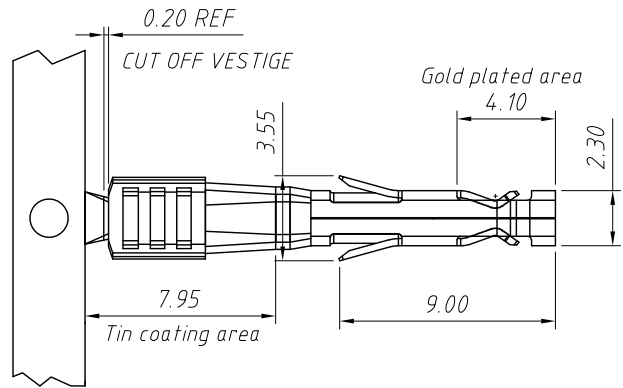
2x04 Pin

2x05 Pin

2x06 Pin

PIN NO.	DIM A	DIM B
2x01	8.35	
2x02	12.05	5.70
2x03	17.75	11.40
2x04	23.45±0.4	17.10
2x05	29.15±0.4	22.80
2x06	34.85±0.4	28.50

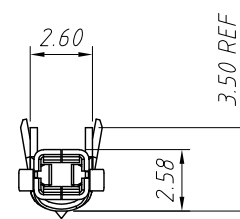
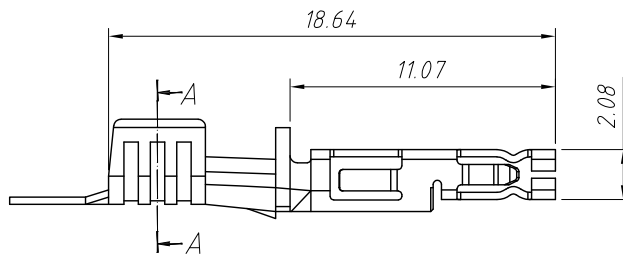
GENERAL TOLERANCE	PROJECTION		Description:
X. ±0.50	UNITS	mm	Pitch 5.70mm Double layer Male Housing
.X ±0.25	SCALE	1:1	
.XX ±0.10	Draw by:	Jenny	
ANGLE TOLERANCE	Check by:		KLS P/N: L-KLS1-XM1-5.70-2xXX-MH
X. ±5°	Date	2018-03-01	NingBo KLS ELECTRONIC CO.,L TD.
.X ±3°	SHEET	2 OF 2	
.XX ±2°			



Material:  
Terminal: Phosphor Bronze

Finish:  
Terminal: Gold Flash plated on contact area, 100u" min.  
Tin on solder tail, with entire contact underplated 30u" min. Nickel

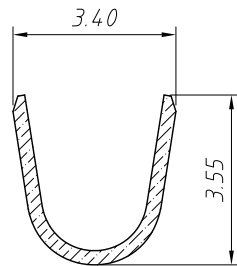
Electrical Characteristics:  
Contact resistance: 30mΩ MAX.  
Current Rating: 23A  
Voltage Rating: 600V  
Dielectric Withstanding Voltage: 2000V AC.



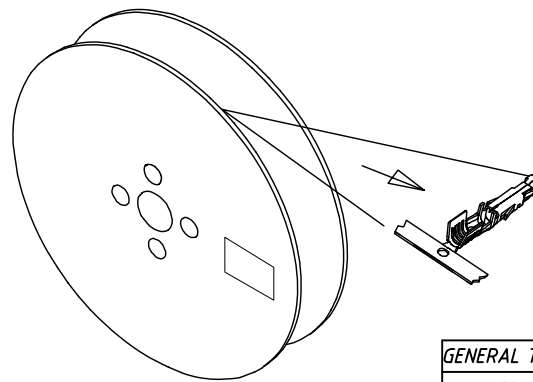
Order Information

L-KLS1-XM1-5.70-FT

RoHS \_\_\_\_\_  
Series No. \_\_\_\_\_  
Pitch: 5.70=5.70mm \_\_\_\_\_  
Type: \_\_\_\_\_  
S=Straight pin R=Right pin  
MH=Male Housing FT=Female Terminal



SECTION A-A  
SCALE 2:1



FINISH PART UNWIND DIRECTION

CONDUCTOR CRIMP 14/16AWG

GENERAL TOLERANCE	PROJECTION		Description:
X. ±0.50	UNITS	mm	Pitch 5.70mm Female Terminal
.X ±0.25	SCALE	1:1	
.XX ±0.10	Draw by:	Jenny	
ANGLE TOLERANCE	Check by:		KLS P/N: L-KLS1-XM1-5.70-FT
X. ±5°	Date	2018-03-01	NingBo KLS ELECTRONIC CO.,L TD.
.X ±3°	SHEET	1 OF 2	
.XX ±2°			