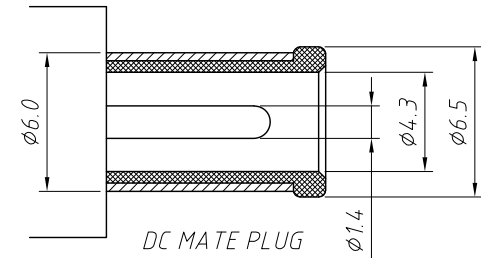
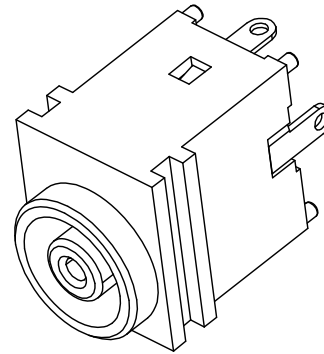
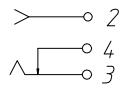



SCHEMATIC



SPECIFICATION

Rated Load:DC 30V 1.0A
 Contact resistance:30mΩ, max
 Insulation resistance:100MΩ, min
 Withstand Voltage:AC500V
 Actuating Force:3-20N
 Life:5000 cycles
 Operating Temperature:-30°C-70°C

| NO. | Description | QTY | Material | Plating |
|-----|--------------|-----|----------|------------|
| 1 | Housing | 1 | PA9T | --- |
| 2 | Curve Piece | 1 | Bronze | Ag-Plating |
| 3 | Spring | 1 | Bronze | Ag-Plating |
| 4 | Contact Foot | 1 | Brass | Ag-Plating |

| GENERAL TOLERANCE | PROJECTION | Symbol | Description: |
|-------------------|------------|------------|---|
| X. ±0.50 | UNITS | mm | DC POWER Jack DIP |
| .X ±0.25 | SCALE | 1:1 | |
| .XX ±0.10 | Draw by: | Jenny | |
| ANGLE TOLERANCE | Check by: | | KLS P/N: L-KLS1-DC-049 |
| X. ±5° | Date | 2019-03-01 |  NingBo KLS ELECTRONIC CO.,L TD. |
| .X ±3° | SHEET | 1 OF 1 | |
| .XX ±2° | | | |