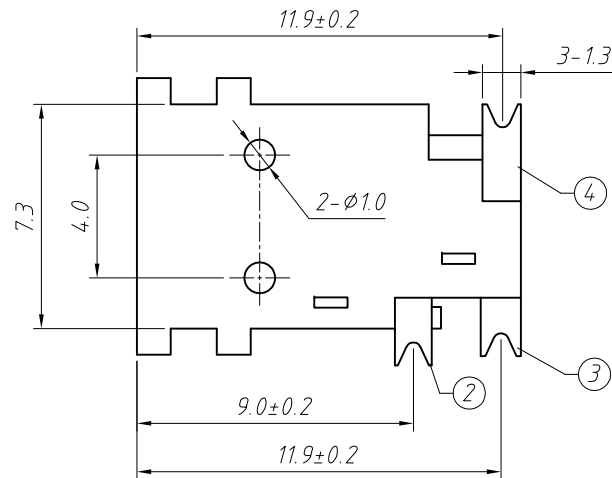
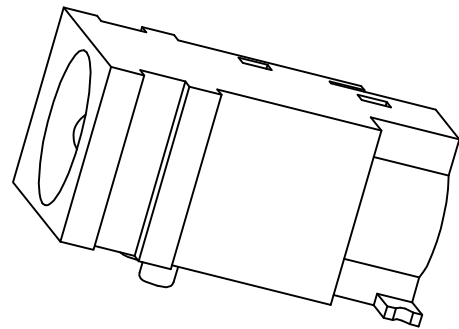
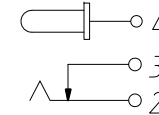


PCB LAYOUT TOP VIEW

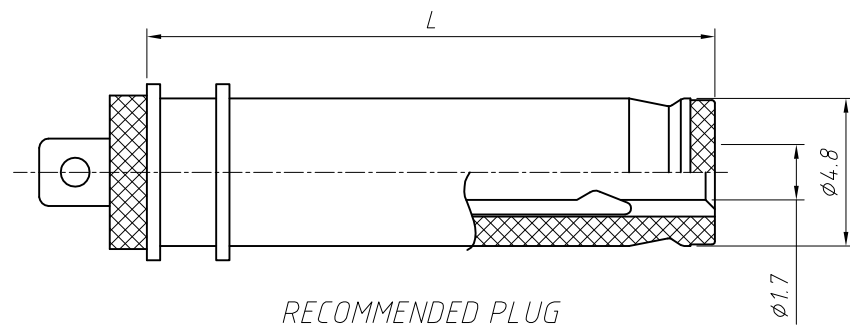


SCHEMATIC




**SPECIFICATION**

- Rated Load:DC 30V 2A
- Contact resistance:30mΩ, max
- Insulation resistance:100MΩ, min
- Withstand Voltage:AC500V
- Actuating Force:3-20N
- Life:5000 cycles
- Operating Temperature:-30°C-70°C



NO.	Description	QTY	Material	Plating
1	Housing	1	PA9T	---
2	Spring Piece	1	Bronze	Ag-Plating
3	Curve Piece	1	Brass	Ag-Plating
4	PIN	1	Brass	Ni-Plating

GENERAL TOLERANCE	PROJECTION	Description:
X. ±0.50	UNITS	mm
.X ±0.25	SCALE	1:1
.XX ±0.10	Draw by:	Jenny
ANGLE TOLERANCE	Check by:	
X. ±5°	Date	2019-03-01
.X ±3°		
.XX ±2°	SHEET	1 OF 1

**30V 2A DC Jack SMT HORIZONTAL**  
 KLS P/N: L-KLS1-MDC-057  
 NingBo KLS ELECTRONIC CO.,L TD.