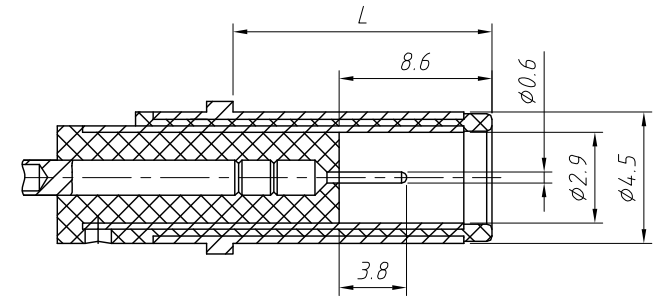
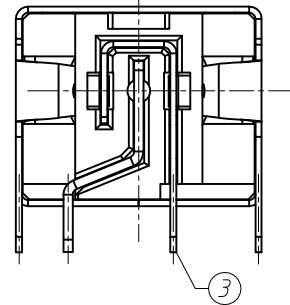
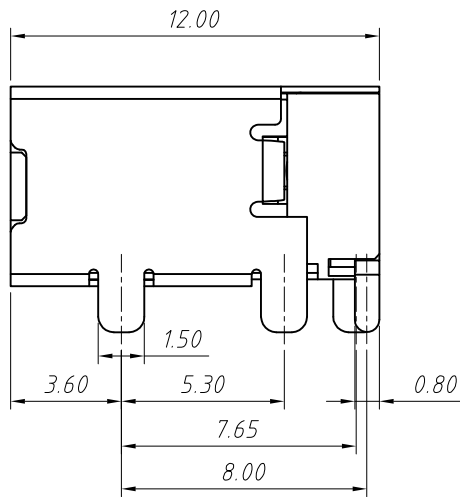
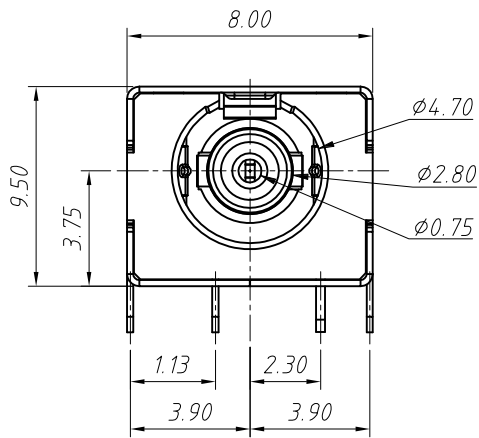
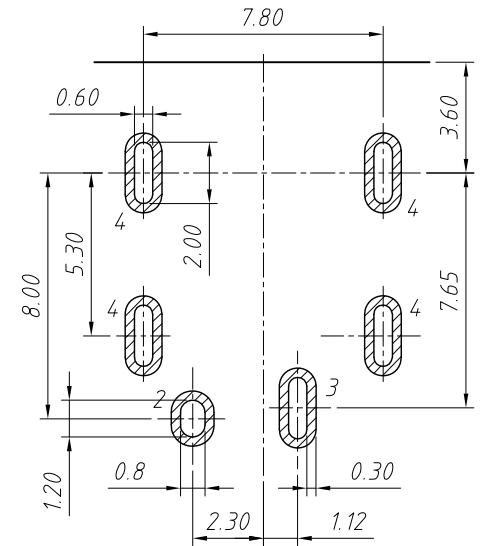
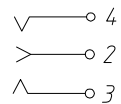


PCB Layout Top View



RECOMMENDED PLUG

SCHEMATIC



SPECIFICATION

Rated Load:DC 24V 6.5A
 Contact resistance:30m Ω , max
 Insulation resistance:100M Ω , min
 Withstand Voltage:AC500V
 Actuating Force:3-20N
 Life:5000 cycles
 Operating Temperature:-30 $^{\circ}$ C-70 $^{\circ}$ C

NO.	Description	QTY	Material	Plating
1	Housing	1	PA9T	---
2	PIN	1	Brass	Au-Plating
3	Spring	1	Bronze	Au-Plating
4	Shell	1	Bronze	Ni-Plating

GENERAL TOLERANCE	PROJECTION		Description:
.X ±0.50	UNITS	mm	24V 6.5A DC Jack DIP
.X ±0.25	SCALE	1:1	
.XX ±0.10	Draw by:	Jenny	KLS P/N: L-KLS1-MDC-053
ANGLE TOLERANCE	Check by:		NingBo KLS ELECTRONIC CO.,L TD.
.X ±5 $^{\circ}$	Date	2019-03-01	
.X ±3 $^{\circ}$	SHEET	1 OF 1	
.XX ±2 $^{\circ}$			