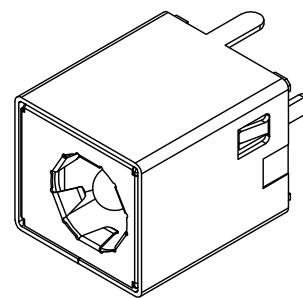
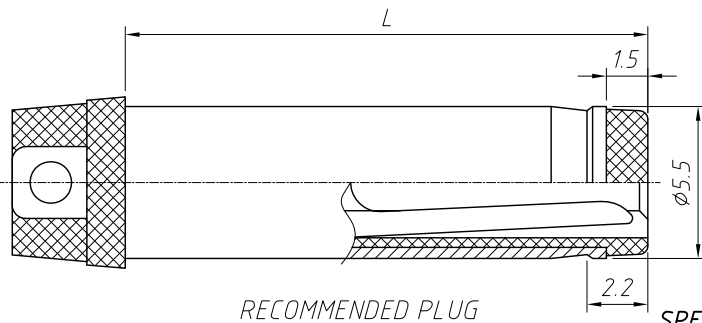
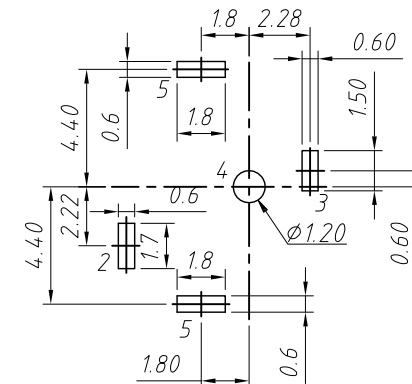
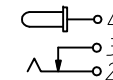


PCB Layout Top View



PIN	$\phi 2.0$	$\phi 2.5$
APPD		

SCHEMATIC



SPECIFICATION

Rated Load:DC 20V 5.5A
 Contact resistance:30m Ω , max
 Insulation resistance:100M Ω , min
 Withstand Voltage:AC500V
 Actuating Force:5-30N
 Life:5000 cycles
 Operating Temperature:-30 $^{\circ}$ C-70 $^{\circ}$ C

NO.	Description	QTY	Material	Plating
1	Housing	1	PA9T	---
2	Spring Piece	1	Bronze	Ag-Plating
3	Contact Foot	1	Brass	Ag-Plating
4	PIN	1	Brass	Au-Plating
5	Coat	1	Brass	Ni-Plating
6	Spring Piece	1	SUS301	---

GENERAL TOLERANCE	PROJECTION		Description:
.X. ± 0.50	UNITS	mm	20V 5.5A DC Jack Vertical DIP
.X. ± 0.25	SCALE	1:1	
.XX ± 0.10	Draw by:	Jenny	KLS P/N: L-KLS1-MDC-039
ANGLE TOLERANCE	Check by:		NingBo KLS ELECTRONIC CO.,L TD.
.X. $\pm 5^{\circ}$	Date	2019-03-01	
.X. $\pm 3^{\circ}$.XX $\pm 2^{\circ}$	SHEET	1 OF 1	