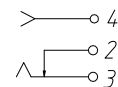
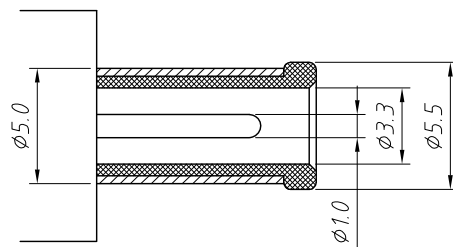
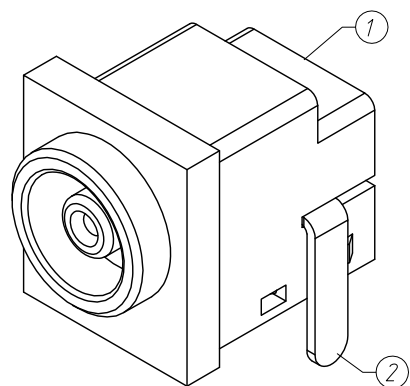
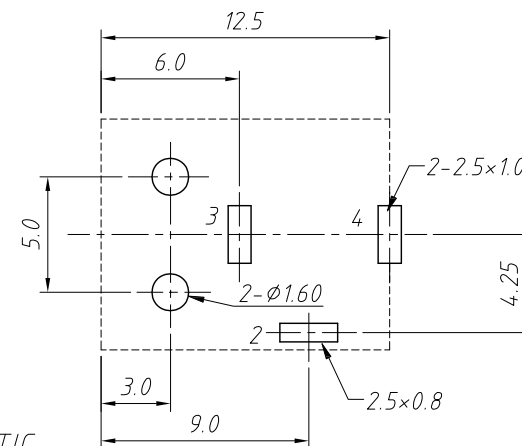


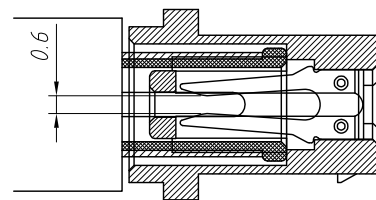
SCHEMATIC



PCB Layout Top View



DC MATE PLUG



SPECIFICATION

Rated Load:DC 12V 2.5A

Contact resistance:30mΩ, max

Insulation resistance:100MΩ, min

Withstand Voltage:AC500V

Actuating Force:3-20N

Life:5000 cycles

Operating Temperature:-30°C-70°C

NO.	Description	QTY	Material	Plating
4	Contact Foot	1	Bronze	Sn-Plating
3	Spring	1	Bronze	Sn-Plating
2	Curve Piece	1	Brass	Sn-Plating
1	Housing	1	PBT	---

GENERAL TOLERANCE	PROJECTION		Description:
.X ±0.50	UNITS	mm	12V 2.5A DC Jack DIP
.X ±0.25	SCALE	1:1	
.XX ±0.10	Draw by:	Jenny	
ANGLE TOLERANCE	Check by:		KLS P/N: L-KLS1-MDC-037
.X ±5°	Date	2019-03-01	NingBo KLS ELECTRONIC CO.,L TD.
.X ±3°	SHEET	1 OF 1	
.XX ±2°			