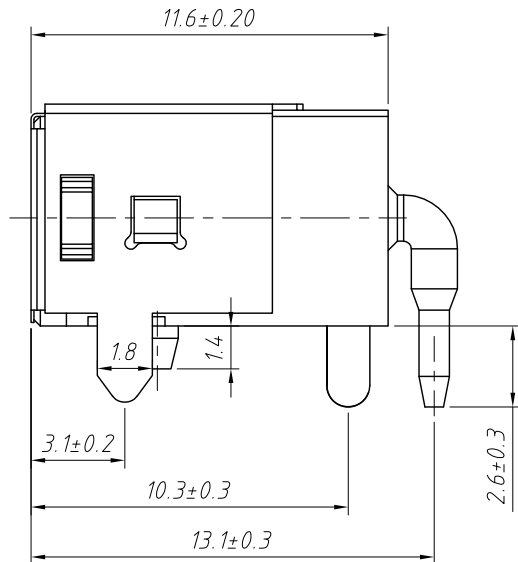
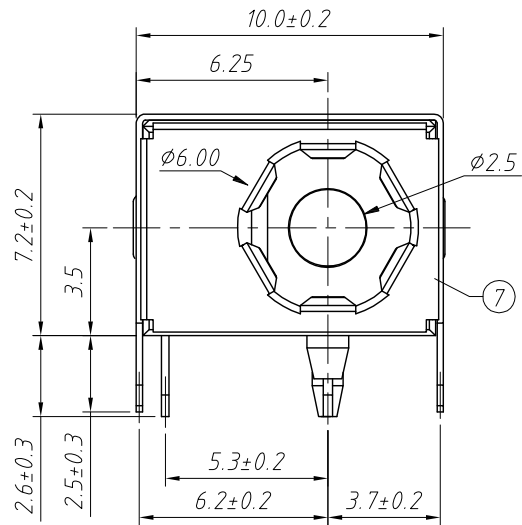
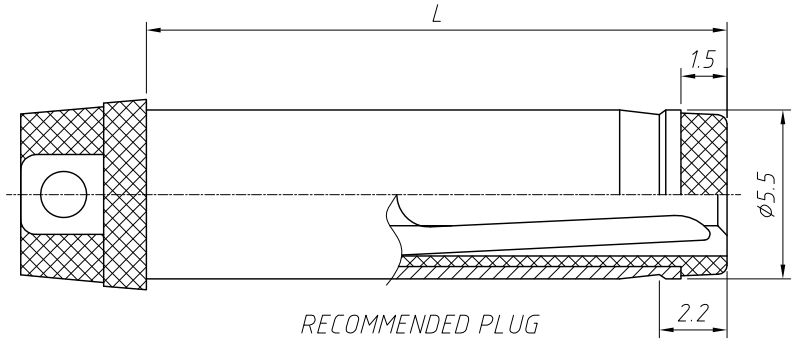
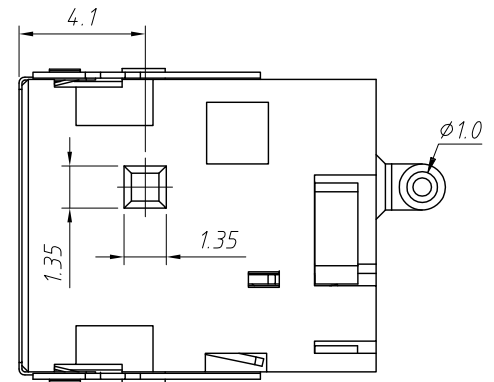
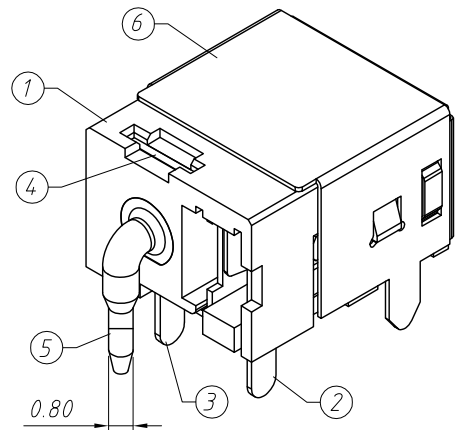
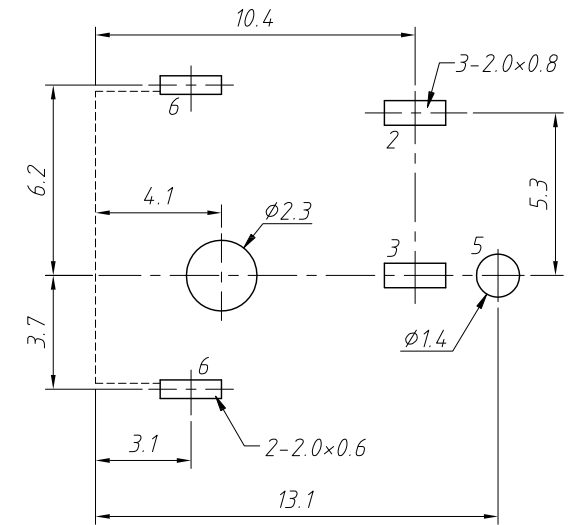


1 2 3 4 5 6 7 8

A B C D E F G H

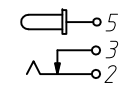


PCB Layout Top View



RECOMMENDED PLUG


SCHEMATIC



|      |      |      |
|------|------|------|
| PIN  | φ2.0 | φ2.5 |
| APPD |      |      |

| NO. | Description  | QTY | Material   | Plating    |
|-----|--------------|-----|------------|------------|
| 1   | Housing      | 1   | LCP        | ---        |
| 2   | Spring Piece | 1   | SUS301     | Sn-Plating |
| 3   | Curve Piece  | 1   | Brass      | Sn-Plating |
| 4   | Stopper      | 1   | SUS301     |            |
| 5   | PIN          | 1   | Zinc Alloy | Ni-Plating |
| 6   | Coat         | 1   | Bronze     | Ni-Plating |
| 7   | Cover        | 1   | SUS301     |            |

**SPECIFICATION**  
 Rated Load:DC 30V 8A  
 Contact resistance:30mΩ, max  
 Insulation resistance:100MΩ, min  
 Withstand Voltage:AC500V  
 Actuating Force:3-20N  
 Life:5000 cycles  
 Operating Temperature:-30°C-70°C

| GENERAL TOLERANCE | PROJECTION | Symbol     | Description:  |
|-------------------|------------|------------|---|
| .X ±0.50          | UNITS      | mm         | DC POWER Jack DIP   |
| .X ±0.25          | SCALE      | 1:1        |   |
| .XX ±0.10         | Draw by:   | Jenny      | KLS P/N: L-KLS1-MDC-018E  |
| ANGLE TOLERANCE   | Check by:  |            |  NingBo KLS ELECTRONIC CO.,L TD. |
| .X ±5°            | Date       | 2019-03-01 |   |
| .X ±3°            | SHEET      | 1 OF 1     |   |

1 2 3 4 5 6 7 8