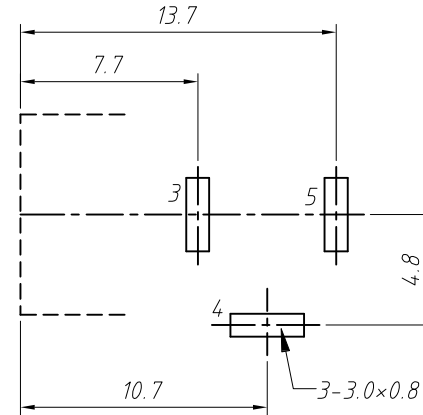
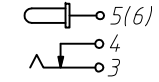


PCB Layout Top View



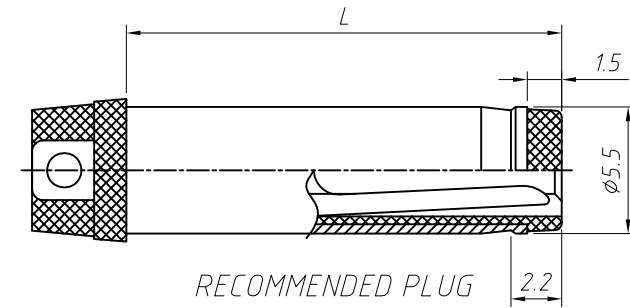
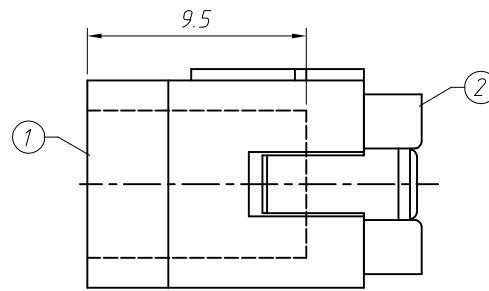
SCHEMATIC




PIN	∅2.0	∅2.5
APPD		

**SPECIFICATION**

Rated Load:DC 30V 2A  
 Contact resistance:30mΩ, max  
 Insulation resistance:100MΩ, min  
 Withstand Voltage:AC500V  
 Actuating Force:3-20N  
 Life:5000 cycles  
 Operating Temperature:-30°C-70°C



NO.	Description	QTY	Material	Plating
1	Housing	1	PA9T	---
2	Cover	1	PA9T	---
3	Spring Piece	1	SUS301	Ag Plating
4	Curve Piece	1	Brass	Ag Plating
5	Flat Foot	1	Brass	Ag Plating
6	PIN	1	Brass	Ni Plating

GENERAL TOLERANCE	PROJECTION	Symbol	Description:
.X ±0.50	UNITS	mm	30V 2A DC Jack DIP
.X ±0.25	SCALE	1:1	
.XX ±0.10	Draw by:	Jenny	
ANGLE TOLERANCE	Check by:		KLS P/N: L-KLS1-MDC-004
.X ±5°	Date	2019-03-01	 NingBo KLS ELECTRONIC CO.,L TD.
.X ±3°	SHEET	1 OF 1	
.XX ±2°			