

Material:
 Housing: PBT+Glass Filled Polyester
 Flammability Rating: UL94V-0
 Contacts: Phosphor Bronze $\phi 0.46\text{mm}$
 Plating: Gold Plating

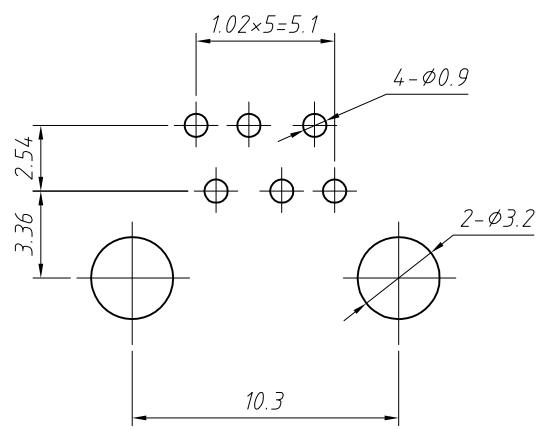
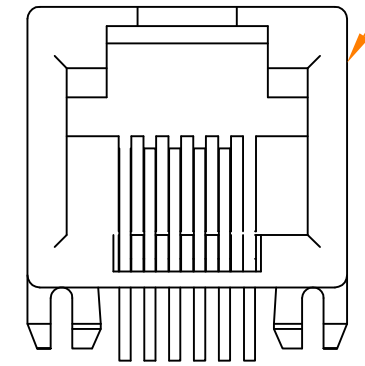
Electrical:
 Voltage Rating: 125VAC
 Current Rating: 1.5A
 Contact Resistance: $30\text{m}\Omega$ Max.
 Insulation Resistance: $500\text{M}\Omega$ Min.
 Dielectric Strength: 1000VAC Rms 50Hz, 1 Min.
 Durability: 600 cycles Min.
 Operation Temperature: $-40^{\circ}\text{C} \sim +70^{\circ}\text{C}$

With Panel

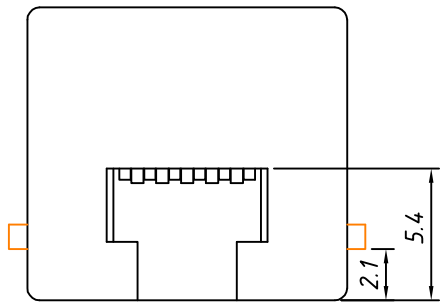
Without Panel

Order Information
 L-KLS12-317-6P6C - X - 1 - XX

RoHS
 Contacts: 6P6C
 Panel Code: _____
 W-With Panel
 W/O-Without Panel
 Plating Code: _____
 01-Fu" Gold Plating
 02-3u" Gold Plating
 03-6u" Gold Plating
 04-15u" Gold Plating
 05-30u" Gold Plating



PCB Layout



GENERAL TOLERANCE	PROJECTION		Description:
X. ± 0.30	UNITS	mm	RJ12-6P6C Modular jacks
.X ± 0.25	SCALE	1:1	
.XX ± 0.20	Draw by:	Jenny	KLS P/N: L-KLS12-317-6P6C-X-1-XX
ANGLE TOLERANCE	Check by:	Daniel	NingBo KLS ELECTRONIC CO.,LTD.
X. $\pm 3^{\circ}$	Date	2018-03-01	
.X $\pm 2^{\circ}$	SHEET	1 OF 1	
.XX $\pm 1^{\circ}$			