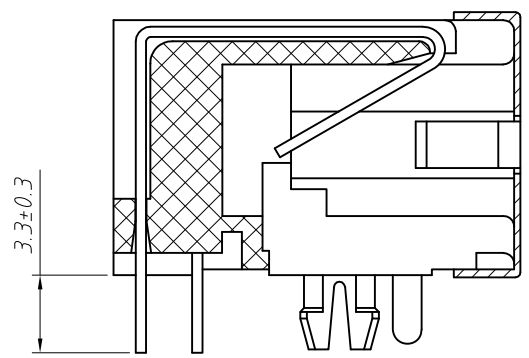


PCB Layout



SECTION A-A

Material:
 Housing: PBT+Glass Filled Polyester
 Flammability Rating : UL94V-0
 Contacts: Phosphor Bronze $\phi 0.46\text{mm}$
 Plating: Gold Plating
 Shield: Brass, Tin Plating

Electrical:
 Voltage Rating: 125VAC
 Current Rating: 1.5A
 Contact Resistance: $30\text{m}\Omega$ Max.
 Insulation Resistance: $500\text{M}\Omega$ Min.
 Dielectric Strength: 1000VAC Rms 50Hz, 1 Min.
 Durability: 600 cycles Min.
 Operation Temperature: $-40^{\circ}\text{C} \sim +70^{\circ}\text{C}$

Order Information

L-KLS12-139-8P8C - H - XX

RoHS
 Contacts: 8P8C
 H: HALF SHIELD
 Plating Code:

- 01-Fu" Gold Plating
- 02-3u" Gold Plating
- 03-6u" Gold Plating
- 04-15u" Gold Plating
- 05-30u" Gold Plating

| GENERAL TOLERANCE | PROJECTION | | Description: |
|---------------------|------------|------------|---|
| X. ± 0.30 | UNITS | mm | RJ45-8P8C Modular jacks HALF SHIELD KLS P/N: L-KLS12-139-8P8C-H-XX |
| .X ± 0.25 | SCALE | 1:1 | |
| .XX ± 0.20 | Draw by: | Jenny | |
| ANGLE TOLERANCE | Check by: | Daniel | NingBo KLS ELECTRONIC CO.,LTD. |
| X. $\pm 3^{\circ}$ | Date | 2019-12-26 | |
| .X $\pm 2^{\circ}$ | SHEET | 1 OF 1 | |
| .XX $\pm 1^{\circ}$ | | | |