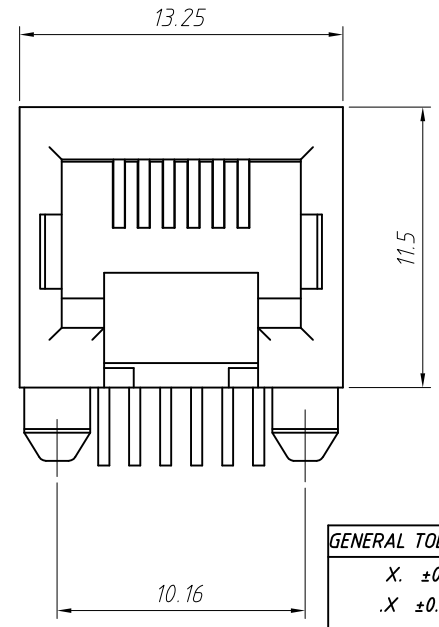
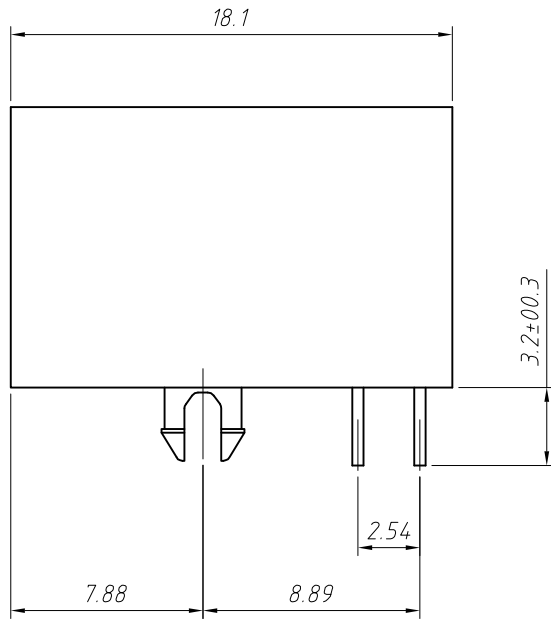


PCB Layout



Material:
 Housing: PBT+Glass Filled Polyester
 Flammability Rating : UL94V-0
 Contacts: Phosphor Bronze
 Plating: Gold Plating

Electrical:
 Voltage Rating: 125VAC
 Current Rating: 1.5A
 Contact Resistance: 30mΩ Max.
 Insulation Resistance: 500MΩ Min.
 Dielectric Strength: 1000VAC Rms 50Hz, 1 Min.
 Durability: 600 cycles Min.
 Operation Temperature: -40°C ~ +70°C

Order Information

L-KLS12-310-6P6C - X - XX

RoHS _____
 Contacts: 6P6C _____
 Color Code: _____
 1-Black
 2-Gray
 Plating Code: _____
 01-Fu" Gold Plating
 02-3u" Gold Plating
 03-6u" Gold Plating
 04-15u" Gold Plating
 05-30u" Gold Plating

GENERAL TOLERANCE	PROJECTION		Description:
X. ±0.30	UNITS	mm	RJ12-6P6C Modular jacks
.X ±0.25	SCALE	1:1	
.XX ±0.20	Draw by:	Jenny	
ANGLE TOLERANCE	Check by:	Daniel	KLS P/N: L-KLS12-310-6P6C-X-XX
X. ±3°	Date	2019-12-26	NingBo KLS ELECTRONIC CO.,LTD.
.X ±2°	SHEET	1 OF 1	
.XX ±1°			